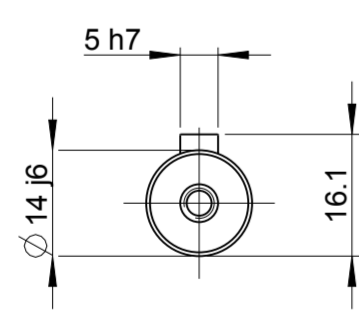
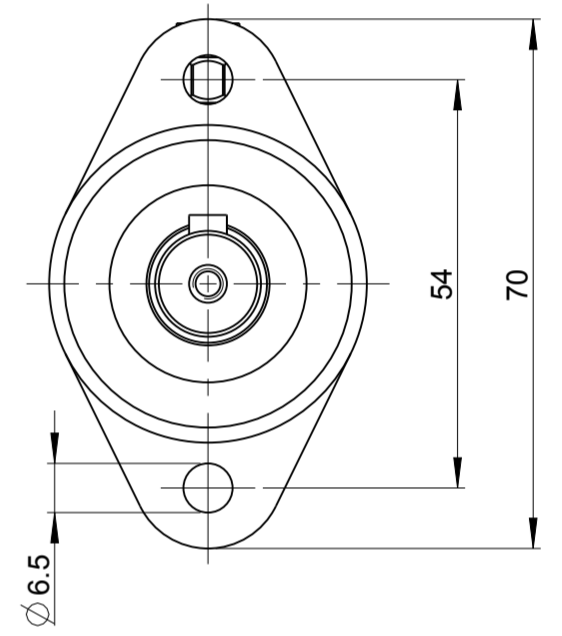
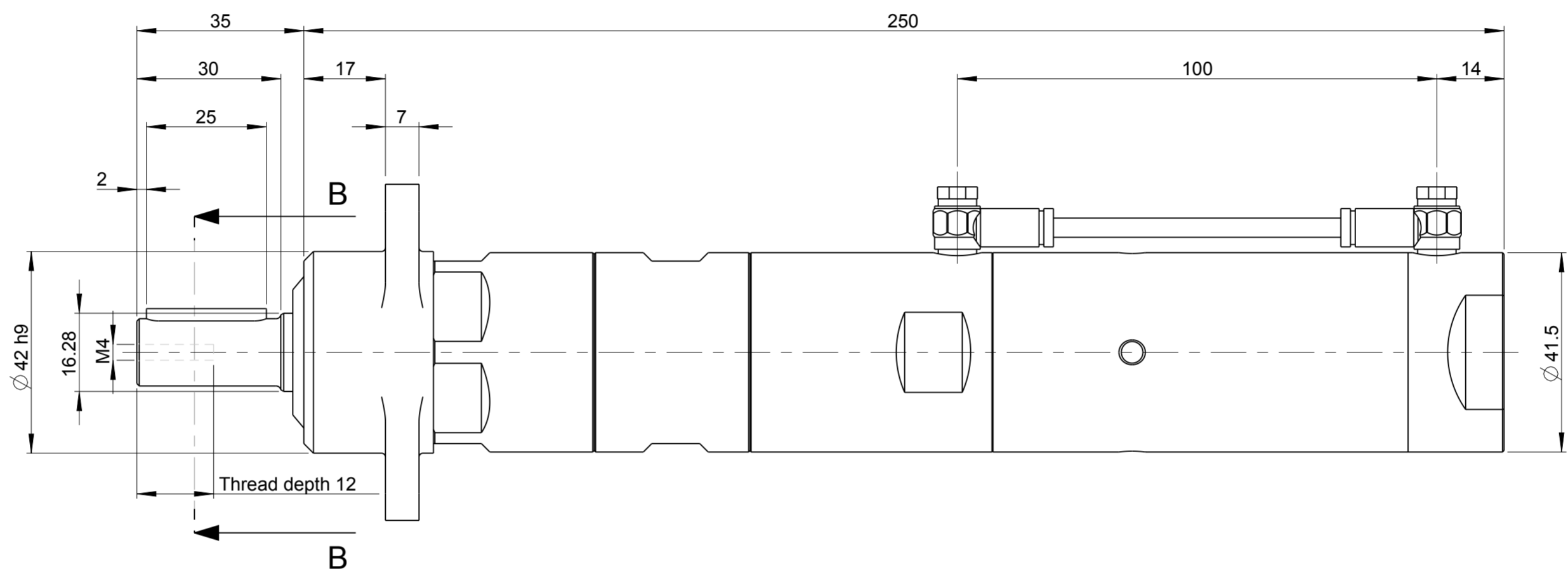
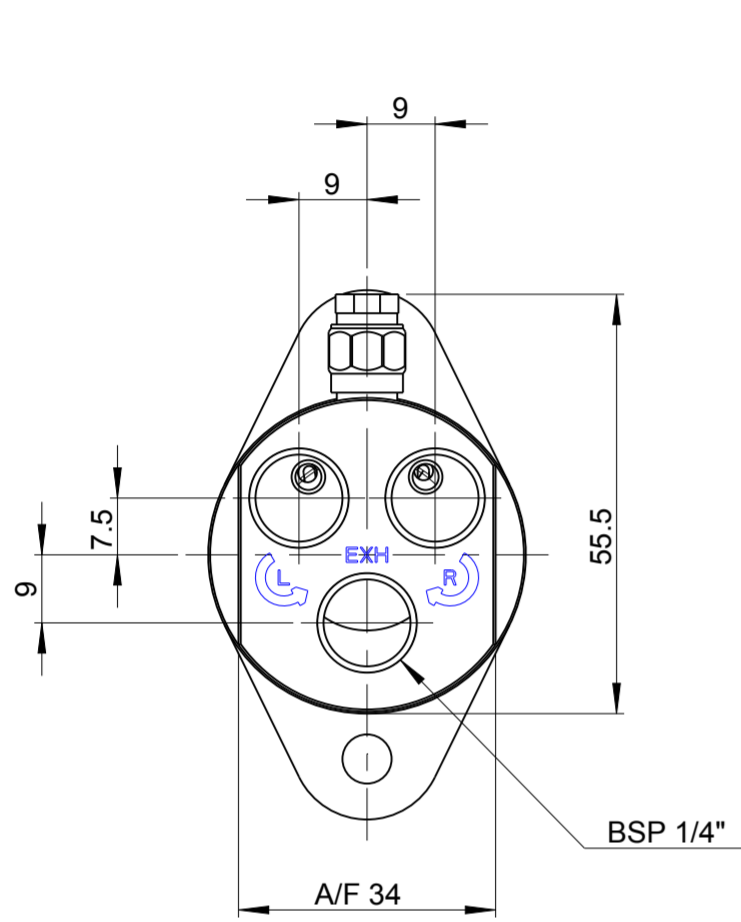


Model: LZB33_LB_AR_3_11 Rev: 0/5
 Drawing: LZB33_LB_AR_3_11 Rev: 0/5



B-B

MOTOR NAME	ORDERING NO.
LZB33-LB-AR0026-11	8411 0340 70

This document is our property and shall not without our permission be altered, copied, used for manufacturing or communicated to any other person or company.

Note	Pos.	Modified from	Date	Intr.
0	-	-	-	-

Tolerances, if not indicated, according to:		-		-		-		-		-	
AC-STD		-		-		-		-		-	
Name: VANE MOTOR LZB33-LB-ARXXX-11						LZB33-LB-AR		Secretory class		-	
Material: LUBRICATION FREE/ BRAKE						1102 K/-		CAD		Pro/E	
Scale: 1:1		Format: A2		Family: -		Compare: -		Drawing owner: TOO		-	
Drawn: F GRINELL		Blank: -		Replaces: -		Status: In Work		Designation: LZB33_LB_AR_3_11		Sheet 1 (1)	
Transferred from: -		Cons. class: 1295 K/-		Rev: 0		Date: 2013-04-24		Mass/Volume: -		-	