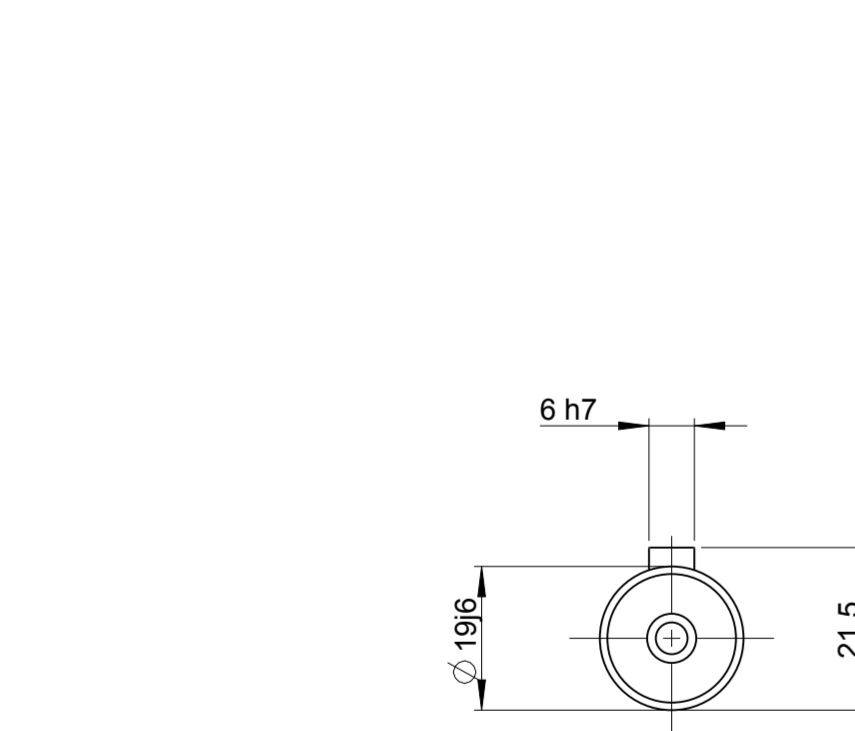
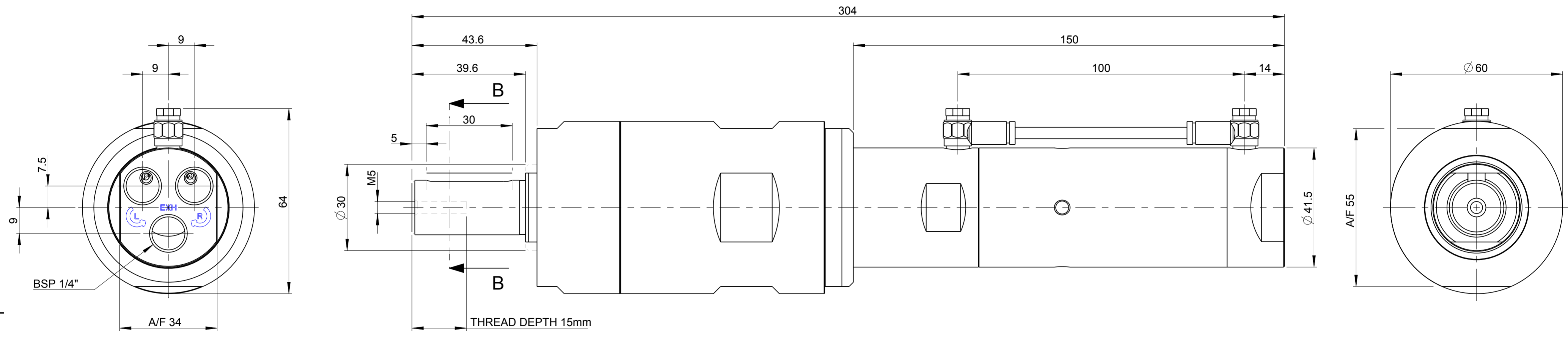


Model: LZB33_LB_AR_3_HT_11 Rev: 04
 Drawing: LZB33_LB_AR_3_HT_11 Rev: 05



B-B

MOTOR NAME	ORDERING NO.
LZB33-LB-AR0015-11	8411 0340 88
LZB33-LB-AR0011-11	8411 0340 96
LZB33-LB-AR0008-11	8411 0341 04
LZB33-LB-AR0006-11	8411 0341 12
LZB33-LB-AR0005-11	8411 0341 20

This document is our property and shall not without our permission be altered, copied, used for manufacturing or communicated to any other person or company.

Note	Pos.	Modified from	Date	Intr.
0	-	-	-	-

Tolerances, if not indicated, according to:		-		-		-		-		-	
AC-STD		-		-		-		-		-	
Name: VANE MOTOR LZB33-LB-ARXXX-11								LZB33-LB-AR		Secretory class	
Material: LUBRICATION FREE/ BRAKE								1102 K/-		CADD	
-								Pro/E		Drawing owner	
Atlas Copco		Scale: 1:1		Format: A2		Family: -		Compare: -		TOO	
-		Drawn: F GRINELL		Blank: -		Replaces: -		-		-	
Transferred from: -		Cons. class: 1295 K/-		Rev: 0		Status: In Work		Designation: LZB33_LB_AR_3_HT_11		Sheet 1 (1)	
-		Mass/Volume: -		Date: 2013-04-24		-		-		-	