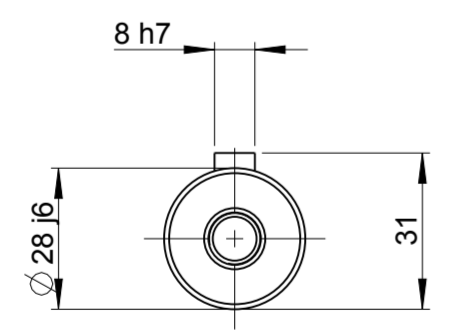
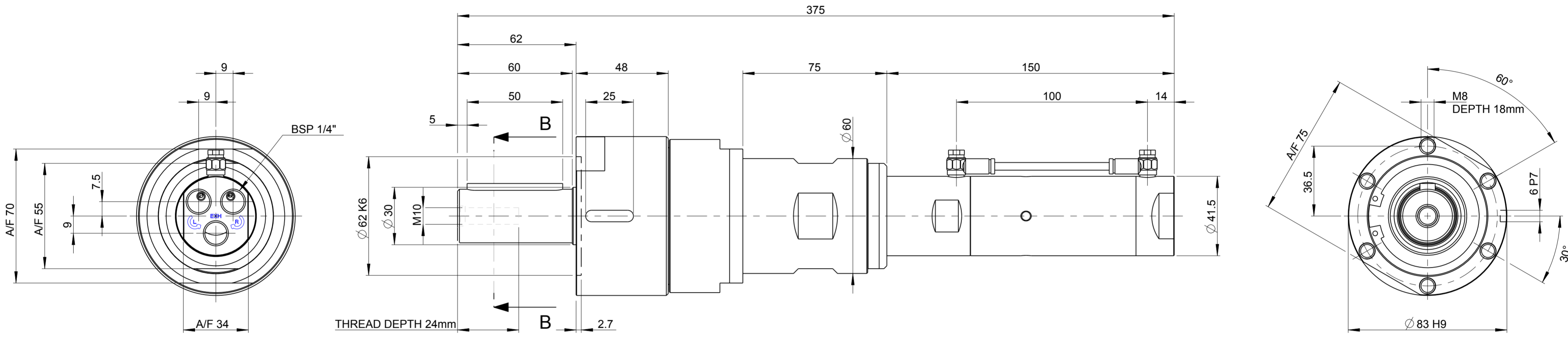


Model: LZB33_LB_AR_4_HT_11 Rev: 04
 Drawing: LZB33_LB_AR_4_HT_11 Rev: 05



B-B

MOTOR NAME	ORDERING NO.
LZB33-LB-AR-0004-11	8411 0341 38
LZB33-LB-AR-0003-11	8411 0341 46
LZB33-LB-AR-0002-11	8411 0341 53
LZB33-LB-AR-0001-11	8411 0341 61

This document is our property and shall not without our permission be altered, copied, used for manufacturing or communicated to any other person or company.

Note	Pos.	Modified from	Date	Intr.
0	-	-	-	-

Tolerances, if not indicated, according to:		-		-		-		-		-	
AC-STD		-		-		-		-		-	
Name: VANE MOTOR LZB33-LB-ARXXX-11								LZB33-LB-AR		Secrecy class	
Material: LUBRICATION FREE/ BRAKE								1102 K/-			
								Scale: 2:3		Format: A2	
Drawn: F GRINELL Cons. class: 1295 K/- Transferred from: -								Family: -		Compare: -	
Rev: 0 Date: 2013-04-24								Blank: -		Replaces: -	
Status: In Work Designation: LZB33_LB_AR_4_HT_11								Drawing owner: TOO		Sheet 1 (1)	