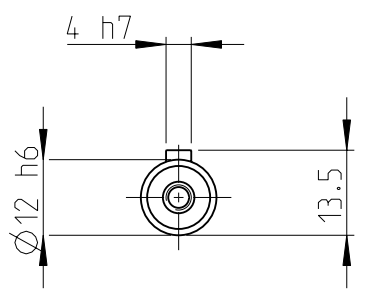
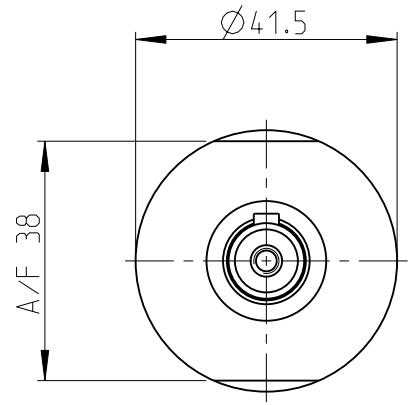
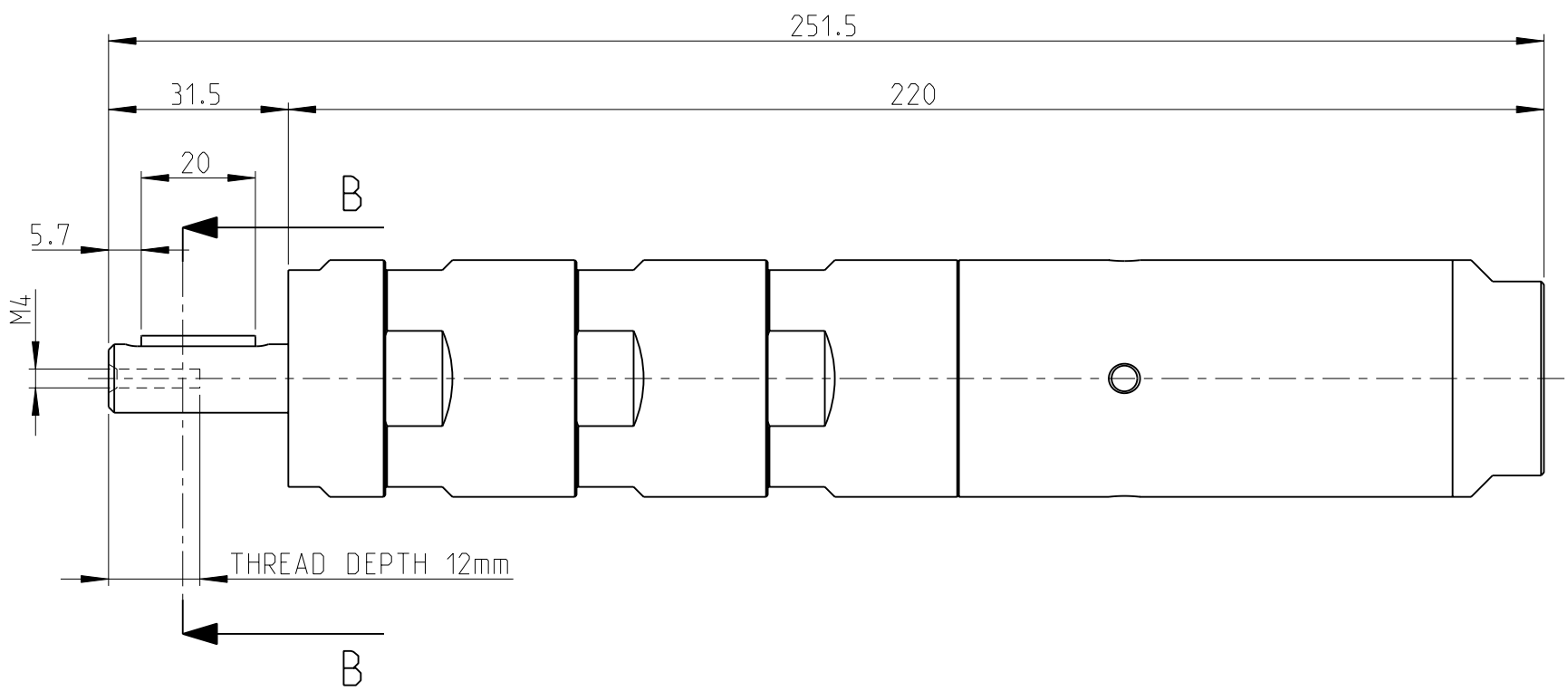
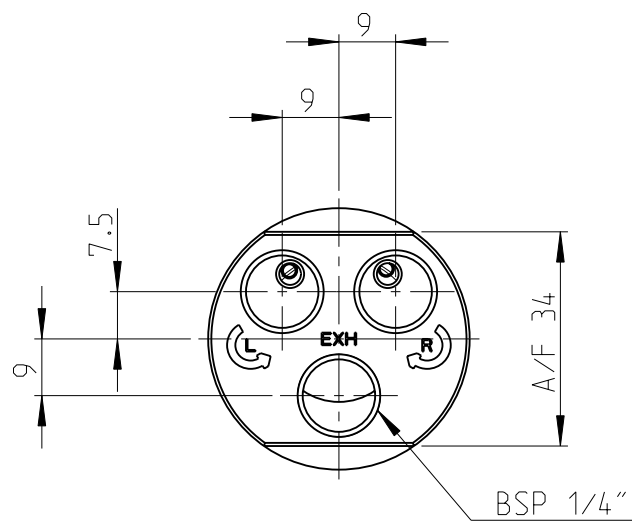


Model name [ZB33_L_LR_4_11] Rev.Ver 0.2
 Drawing name [ZB33_L_LR_4_11] Rev.Ver 0.2



MOTOR NAME	ORDERING NO.
LZB33-L-LR44-11	8411 0308 54
LZB33-L-LR20-11	8411 0308 47

This document is our property and shall not without our permission be altered, copied, used for manufacturing or communicated to any other person or company.

Note	Pos.	Modified from	Date	Intr.
0	-	-	-	-

Tolerances, if not indicated, according to:		-	-	-	-	-
AC-STD		-	-	-	-	-
Name VANE MOTOR LZB33-L-LRXX-11					LZB33-L-LR	
Material LUBRICATION FREE					1102 K/-	
-					CAD Pro/E	
Scale 5:6		Format A3		Family -		Drawing owner T00
Drawn F GRINELL		Blank -		Compare -		
Transferred from -		Cons.class 1295 K/-		Rev 0		Designation Sheet 1 (1) LZB33_L_LR_4_11
-		Mass/Volume -		Date 2013-04-22		