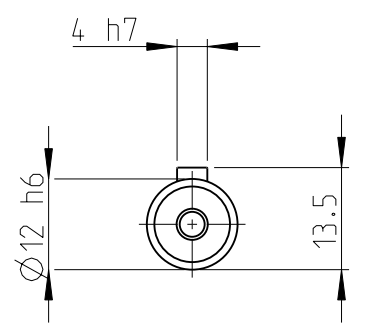
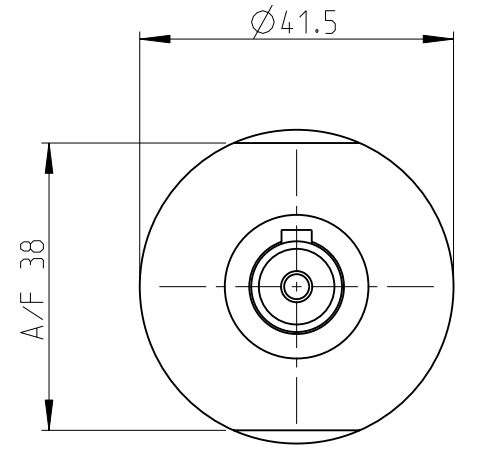
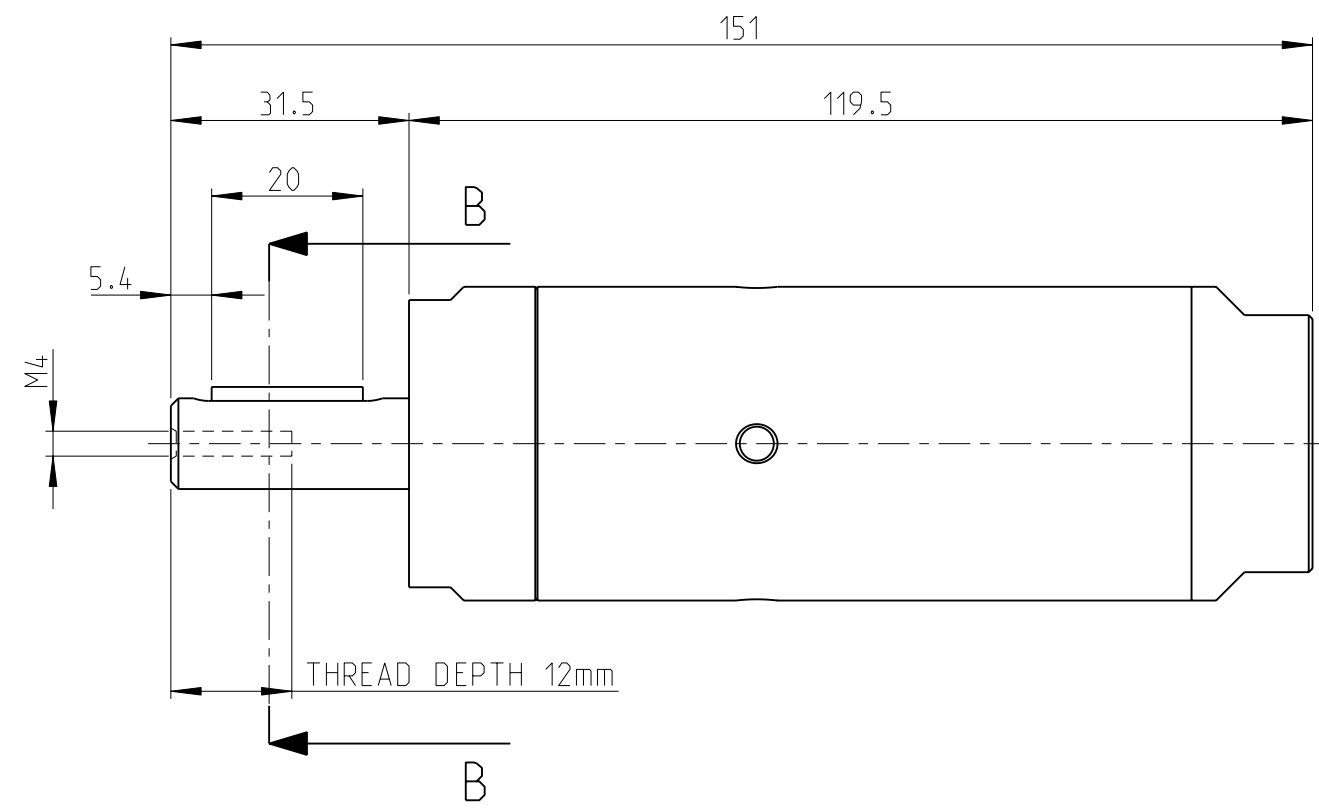
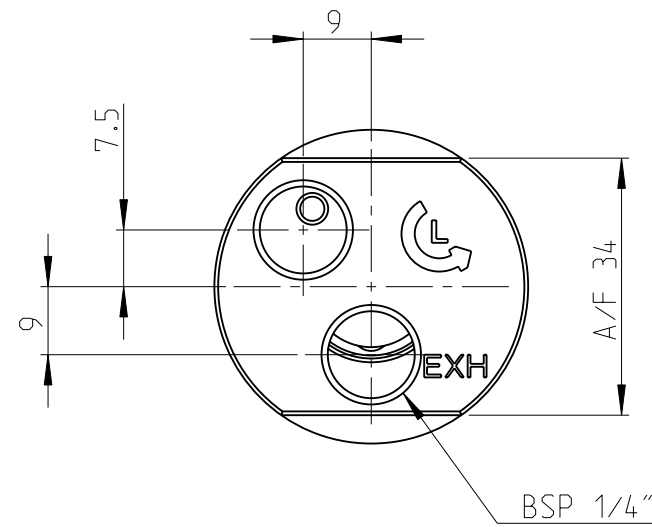


Model name [ZB33_L_AV_1_11] Rev.Ver 0.3
 Drawing name [ZB33_L_AV_1_11] Rev.Ver 0.3



B-B

MOTOR NAME	ORDERING NO.
LZB33-L-AV210-11	8411 0352 42
LZB33-L-AV060-11	8411 0352 59
LZB33-L-AV033-11	8411 0352 00
LZB33-L-AV026-11	8411 0345 91

Tolerances, if not indicated, according to:		-	-	-	-	-
AC-STD		-	-	-	-	-
Name	VANE MOTOR LZB33-L-AVXXX-11				LZB33-L-AV	Secrecy class
Material	LUBRICATION FREE				1102 K/-	
					CAD Pro/E	
Scale	1:1	Format	A3	Family	-	Drawing owner
Drawn	F GRINELL	Blank	-	Replaces	-	
Transferred from	-	Cons.class	1295 K/-	Rev	0	T00
		Mass/Volume	-	Date	2013-04-19	
Status	Design		Designation		LZB33_L_AV_1_11	
						Sheet 1 (1)

Note	Pos.	Modified from	Date	Intr.
0	-	-	-	-

This document is our property and shall not without our permission be altered, copied, used for manufacturing or communicated to any other person or company.