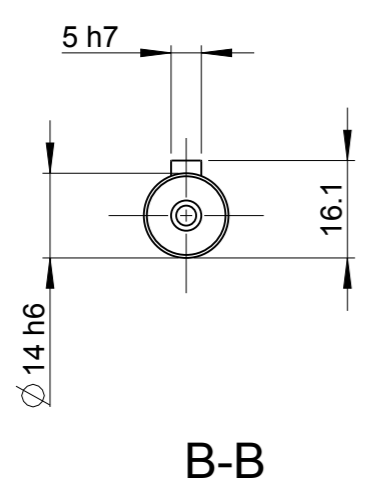
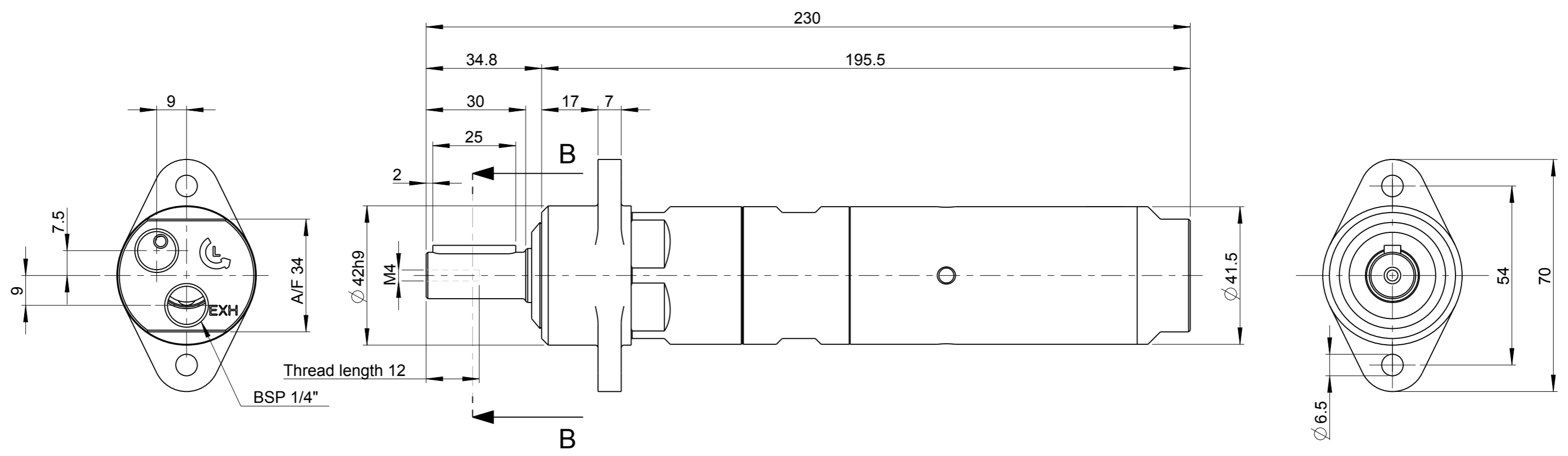


Model name	LZB33_L_AV_3_11	Rev/Ver	0.3
Drawing name	LZB33_L_AV_3_11	Rev/Ver	0.6



MOTOR NAME	ORDERING NO.
LZB33-L-AV0030-11	8411 0345 59

This document is our property and shall not without our permission be altered, copied, used for manufacturing or communicated to any other person or company.

0	-	-	-	-
Note	Pos.	Modified from	Date	Intr.

Tolerances, if not indicated, according to:		-	-	-	-	-
AC-STD		-	-	-	-	-
Name VANE MOTOR LZB33-L-AVXXX-11			LZB33-L-AV		Secrecy class	
Material LUBRICATION FREE			1102 K/-			
-			CAD Pro/E		Drawing owner	
			Scale 4:5	Format A3	Family -	Compare -
Drawn F GRINELL			Blank -		Replaces -	
Transferred from -			Cons.class 1295 K/-	Rev 0	Status In Work	Designation LZB33 L AV 3 11
			Mass/Volume -	Date 2013-04-19	Sheet 1 (1)	

TOO