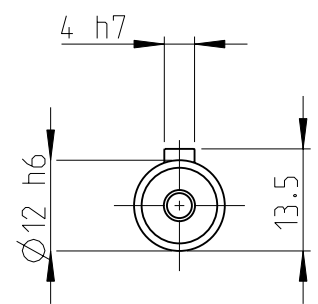
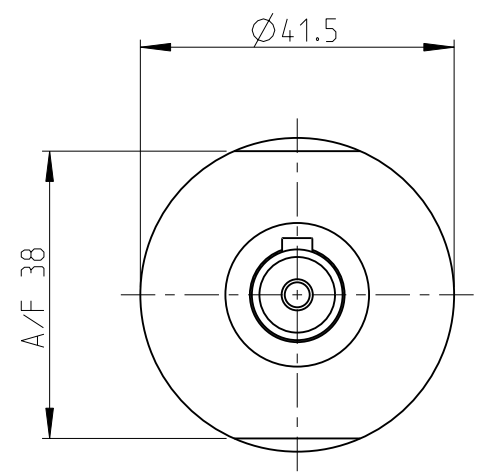
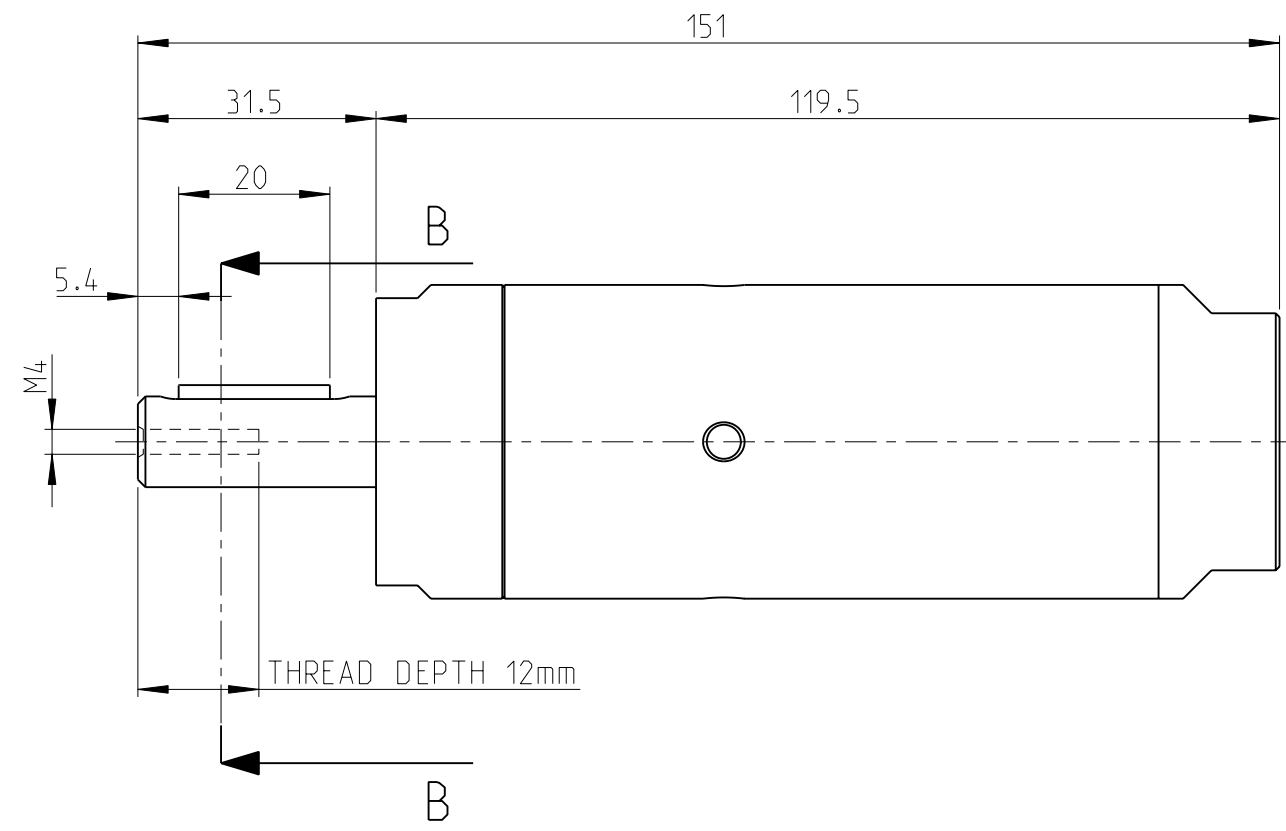
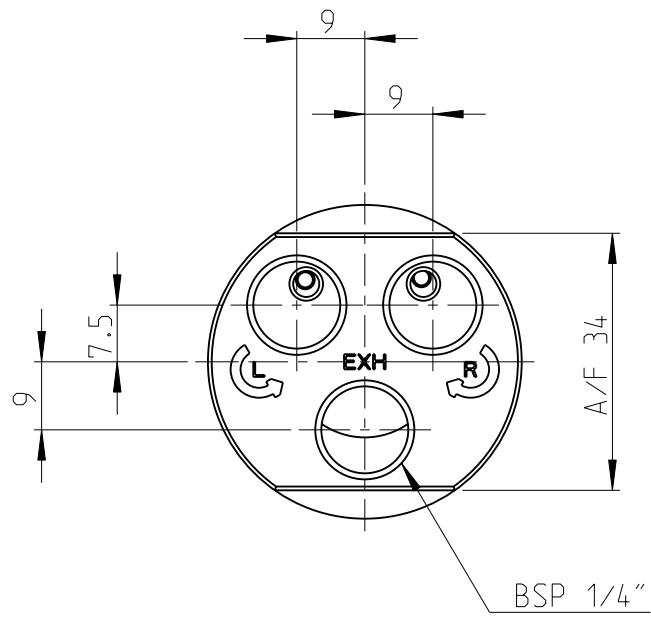


Model name LZB33\_L\_AR\_1\_11 Rev.Ver 0.3  
 Drawing name LZB33\_L\_AR\_1\_11 Rev.Ver 0.3



MOTOR NAME	ORDERING NO.
LZB33-L-AR150-11	8411 0307 63
LZB33-L-AR043-11	8411 0307 71
LZB33-L-AR024-11	8411 0307 89
LZB33-L-AR019-11	8411 0307 97

B-B

This document is our property and shall not without our permission be altered, copied, used for manufacturing or communicated to any other person or company.

Note	Pos.	Modified from	Date	Intr.
0	-	-	-	-

Tolerances, if not indicated, according to:		-	-	-	-	-
AC-STD		-	-	-	-	-
Name VANE MOTOR LZB33-L-ARXXX-11					LZB33-L-AR	
Material LUBRICATION FREE					1102 K/-	
					CAD Pro/E	
Scale 1:1		Format A3	Family -	Compare -		Drawing owner <b>T00</b>
Drawn F GRINELL		Blank -	Replaces -			
Transferred from -		Cons.class 1295 K/-	Rev 0	Status Design	Designation LZB33_L_AR_1_11	
		Mass/Volume -	Date 2013-04-19	Sheet 1 (1)		