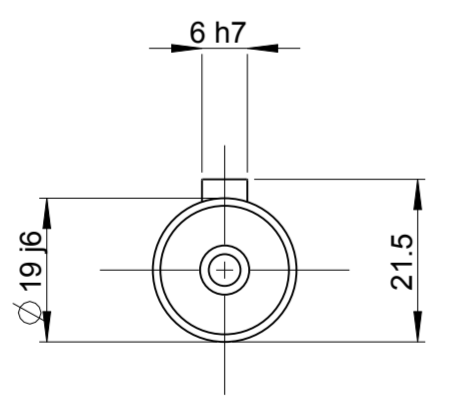
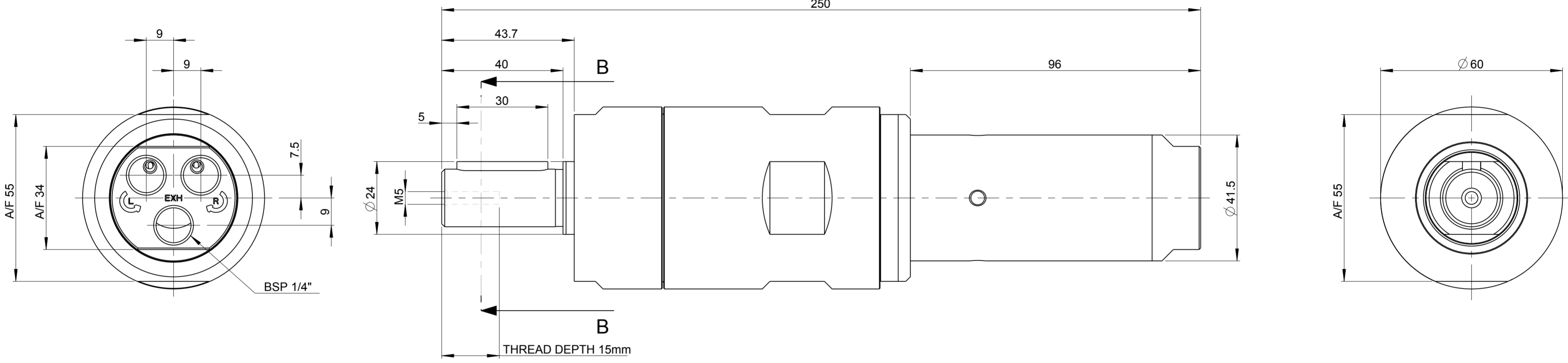


Model: LZB33_L_AR_3_HT_11 Rev: 0.4
 Drawn: LZB33_L_AR_3_HT_11 Rev: 0.5



B-B

MOTOR NAME	ORDERING NO.
LZB33-L-AR0015-11	8411 0323 06
LZB33-L-AR0011-11	8411 0323 14
LZB33-L-AR0008-11	8411 0323 22
LZB33-L-AR0006-11	8411 0323 30
LZB33-L-AR0005-11	8411 0323 48

This document is our property and shall not without our permission be altered, copied, used for manufacturing or communicated to any other person or company.

Note	Pos.	Modified from	Date	Intr.
0	-	-	-	-

Tolerances, if not indicated, according to:		-		-		-		-		-	
AC-STD		-		-		-		-		-	
Name: VANE MOTOR LZB33-L-ARXXX-11								LZB33-L-AR		Secrecy class	
Material: LUBRICATION FREE								1102 K/-		CAD	
-								Pro/E		Drawing owner	
Scale: 1:1		Format: A2		Family: -		Compare: -		Replaces: -		TOO	
Drawn: F GRINELL		Blank: -		Status: In Work		Designation: LZB33_L_AR_3_HT_11		Date: 2013-04-23		Sheet 1 (1)	
Transferred from: -		Cons. class: 1295 K/-		Rev: 0		Date: 2013-04-23		Designation: LZB33_L_AR_3_HT_11		Sheet 1 (1)	
Mass/Volume: -		-		-		-		-		-	