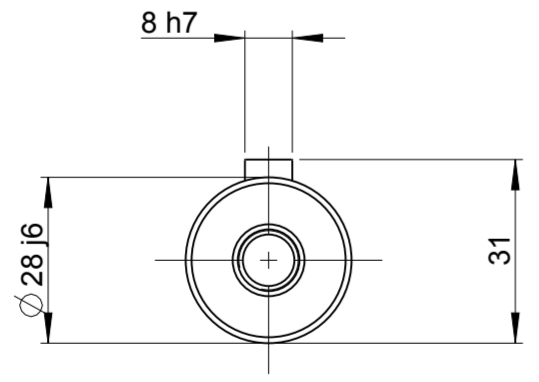
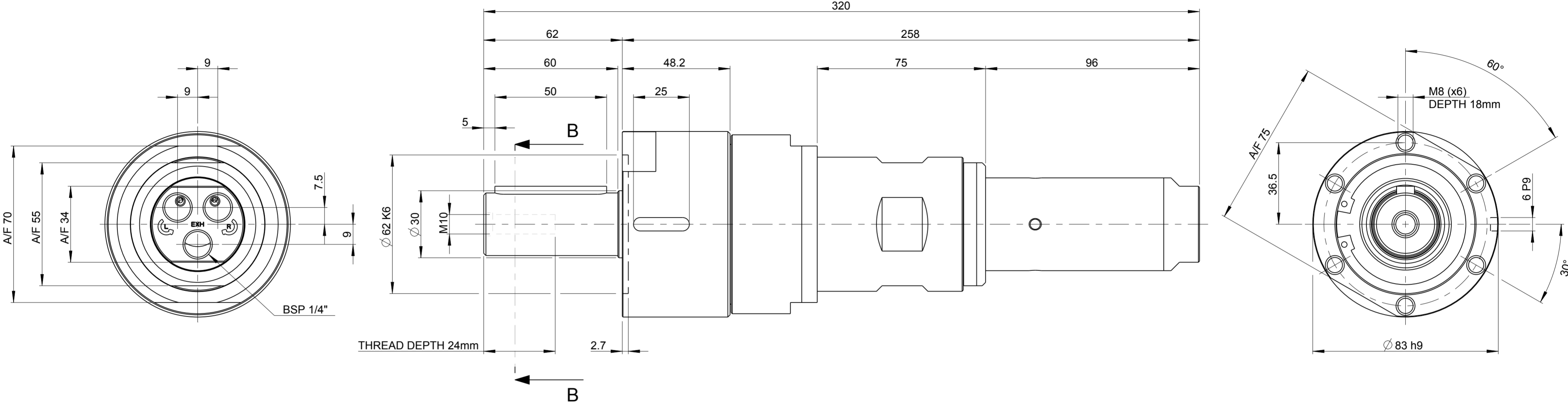


Model: LZB33_L_AR_4_HT_11 Rev: 0.5
 Drawing: LZB33_L_AR_4_HT_11 Rev: 0.7



B-B

MOTOR NAME	ORDERING NO.
LZB33-L-AR0004-11	8411 0323 55
LZB33-L-AR0003-11	8411 0323 63
LZB33-L-AR0002-11	8411 0323 71
LZB33-L-AR0001-11	8411 0323 89

This document is our property and shall not without our permission be altered, copied, used for manufacturing or communicated to any other person or company.

Note	Pos.	Modified from	Date	Intr.
0	-	-	-	-

Tolerances, if not indicated, according to:		-		-		-		-		-	
AC-STD		-		-		-		-		-	
Name: VANE MOTOR LZB33-L-ARXXX-11								LZB-33-L-AR		Secretory class	
Material: LUBRICATION FREE								1102 K/-		CAD	
-								Pro/E		Drawing owner	
Atlas Copco		Scale: 47:60		Format: A2		Family: -		Compare: -		TOO	
-		Drawn: F GRINELL		Blank: -		Replaces: -		-		-	
Transferred from: -		Cons. class: 1295 K/-		Rev: 0		Status: In Work		Designation: LZB33_L_AR_4_HT_11		Sheet 1 (1)	
-		Mass/Volume: -		Date: 2013-04-23		-		-		-	