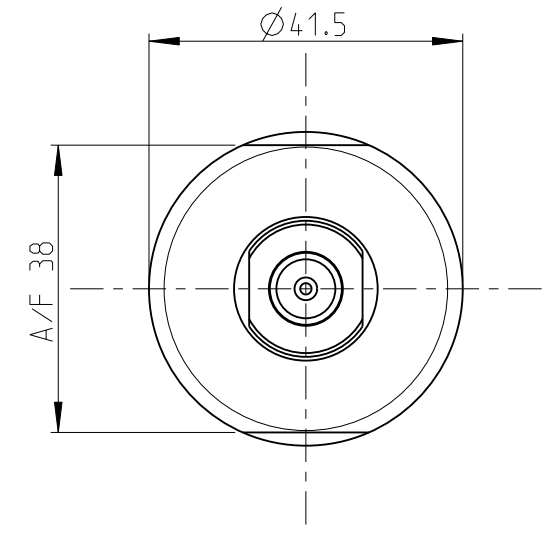
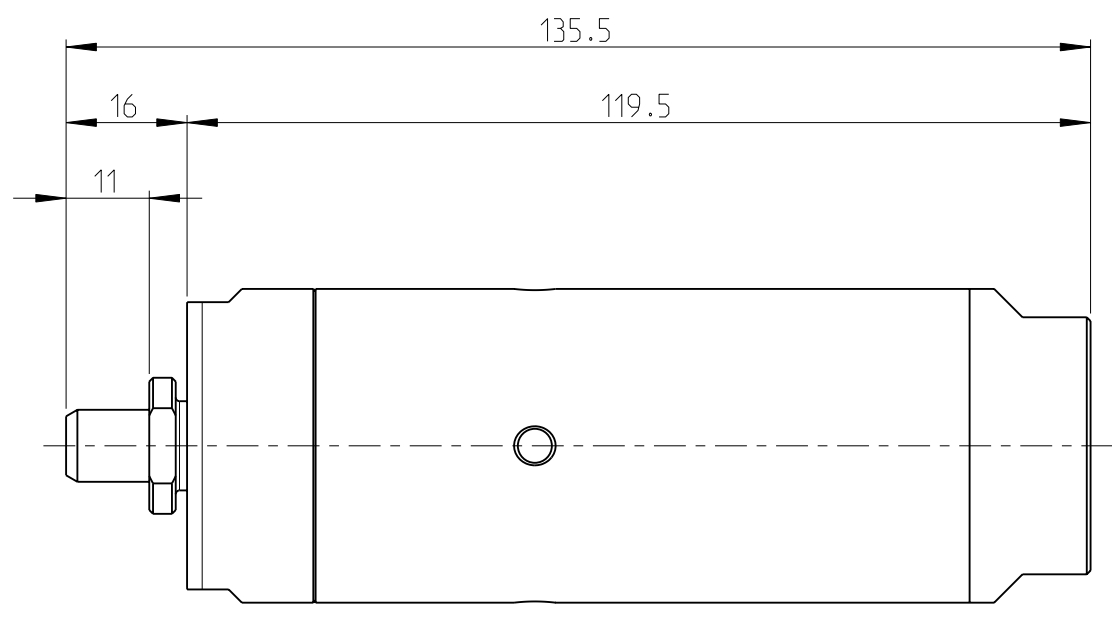
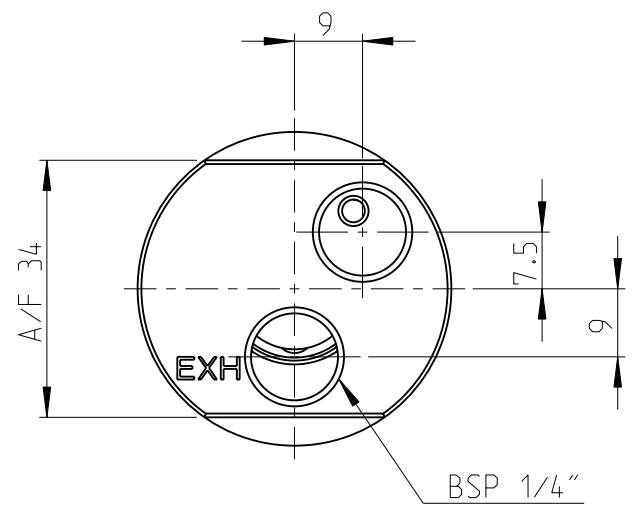


Model name LZB33\_L\_A\_1\_12 Rev.Ver 0.2  
 Drawing name LZB33\_L\_A\_1\_12 Rev.Ver 0.3



MOTOR NAME	ORDERING NO.
LZB33-L-A210-12	8411 0306 80
LZB33-L-A060-12	8411 0306 98
LZB33-L-A033-12	8411 0307 06
LZB33-L-A026-12	8411 0307 14

This document is our property and shall not without our permission be altered, copied, used for manufacturing or communicated to any other person or company.

Note	Pos.	Modified from	Date	Intr.
0	-	-	-	-

Tolerances, if not indicated, according to:		-	-	-	-	-
AC-STD		-	-	-	-	-
Name VANE MOTOR LZB33-L-AXXX-12					LZB33-L-A	
Material LUBRICATION FREE					1102 K/-	
-					CAD Pro/E	
Scale 1:1		Format A3	Family -	Compare -		Drawing owner <b>T00</b>
Drawn F GRINELL		Blank -	Replaces -			
Transferred from -		Cons.class 1295 K/-	Rev 0	Status Design	Designation LZB33_L_A_1_12	
Mass/Volume -		Date 2013-04-19		Sheet 1 (1)		