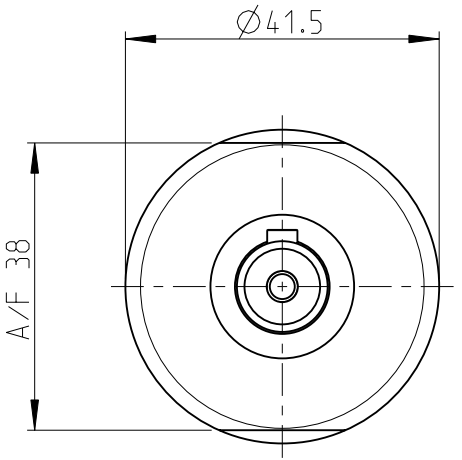
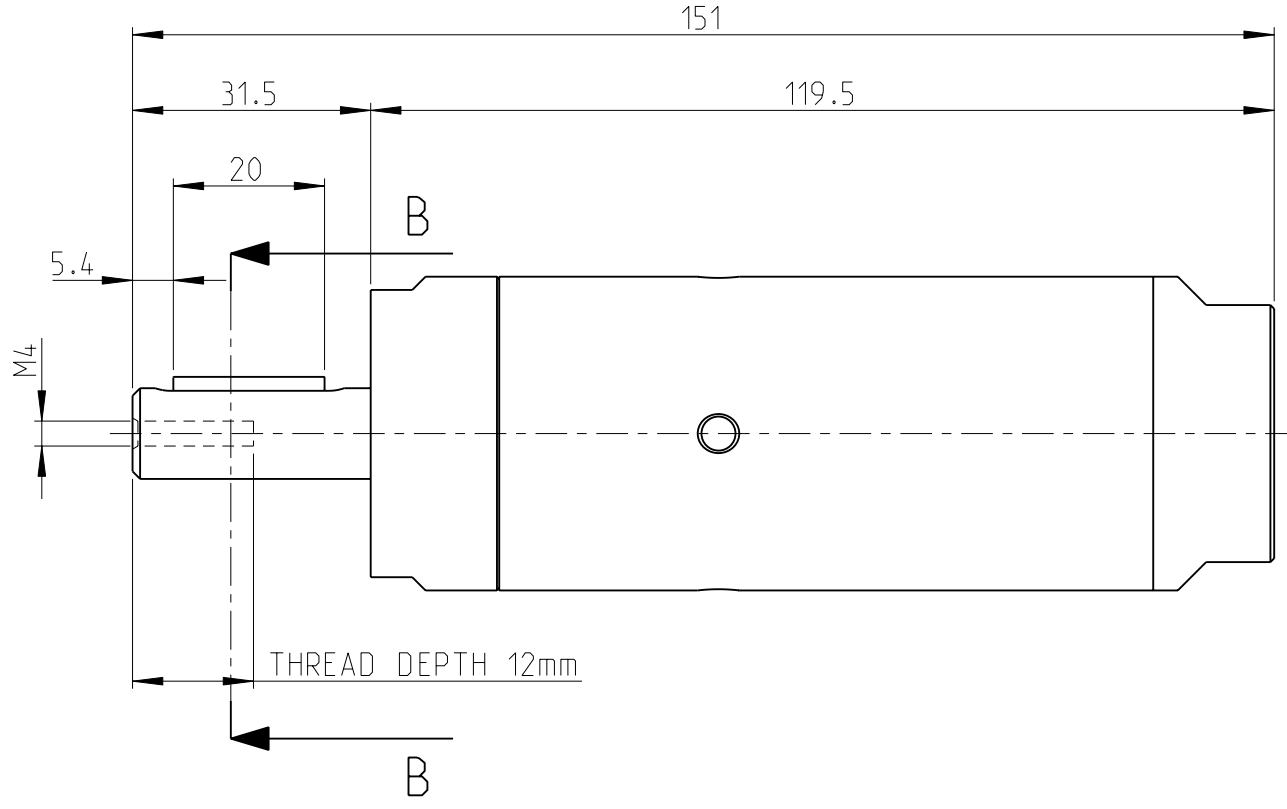
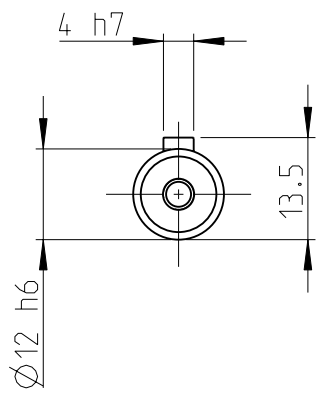
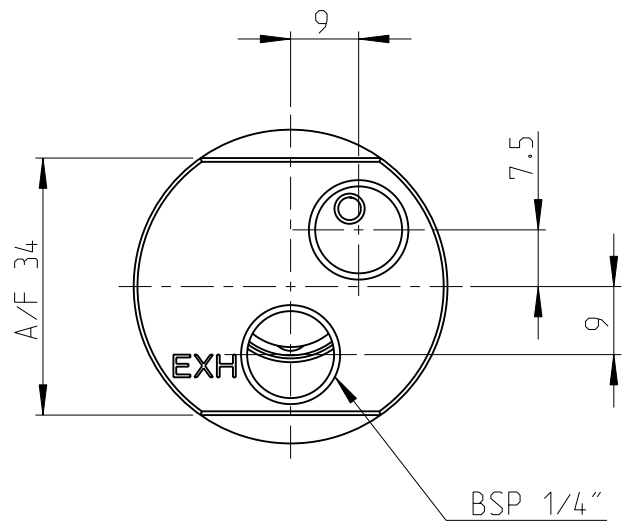


Model name LZB33_L_A_1_11 Rev.Ver 0.2
 Drawing name LZB33_L_A_1_11 Rev.Ver 0.3



MOTOR NAME	ORDERING NO.
LZB33-L-A210-11	8411 0306 07
LZB33-L-A060-11	8411 0306 15
LZB33-L-A033-11	8411 0306 23
LZB33-L-A026-11	8411 0306 31

This document is our property and shall not without our permission be altered, copied, used for manufacturing or communicated to any other person or company.

Note	Pos.	Modified from	Date	Intr.
0	-	-	-	-

Tolerances, if not indicated, according to:		-	-	-	-	-
AC-STD		-	-	-	-	-
Name VANE MOTOR LZB33-L-AXXX-11			LZB33-L-A		Secrecy class	
Material LUBRICATION FREE			1102 K/-		CAD Pro/E	
Scale 1:1		Format A3	Family -	Compare -	Drawing owner	
Drawn F GRINELL		Blank -	Replaces -	TOO		
Transferred from -		Cons.class 1295 K/-	Rev 0	Status Design	Designation LZB33_L_A_1_11	
Mass/Volume -		Date 2013-04-18	Sheet 1 (1)			