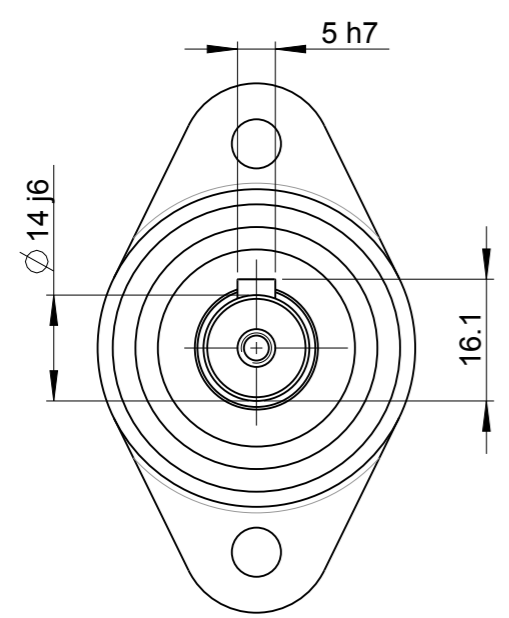
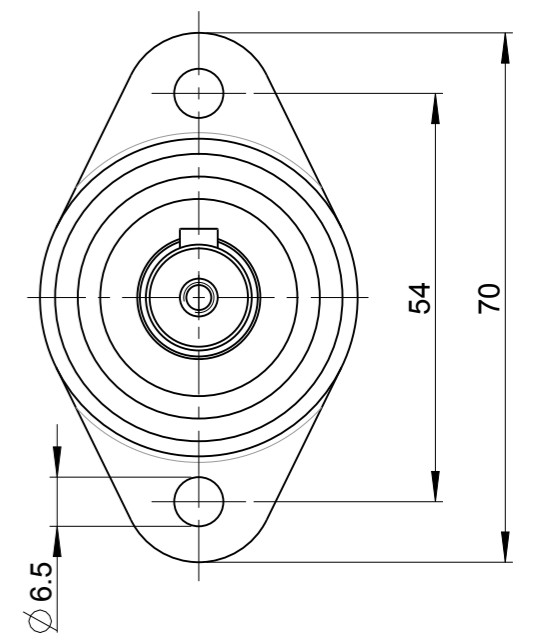
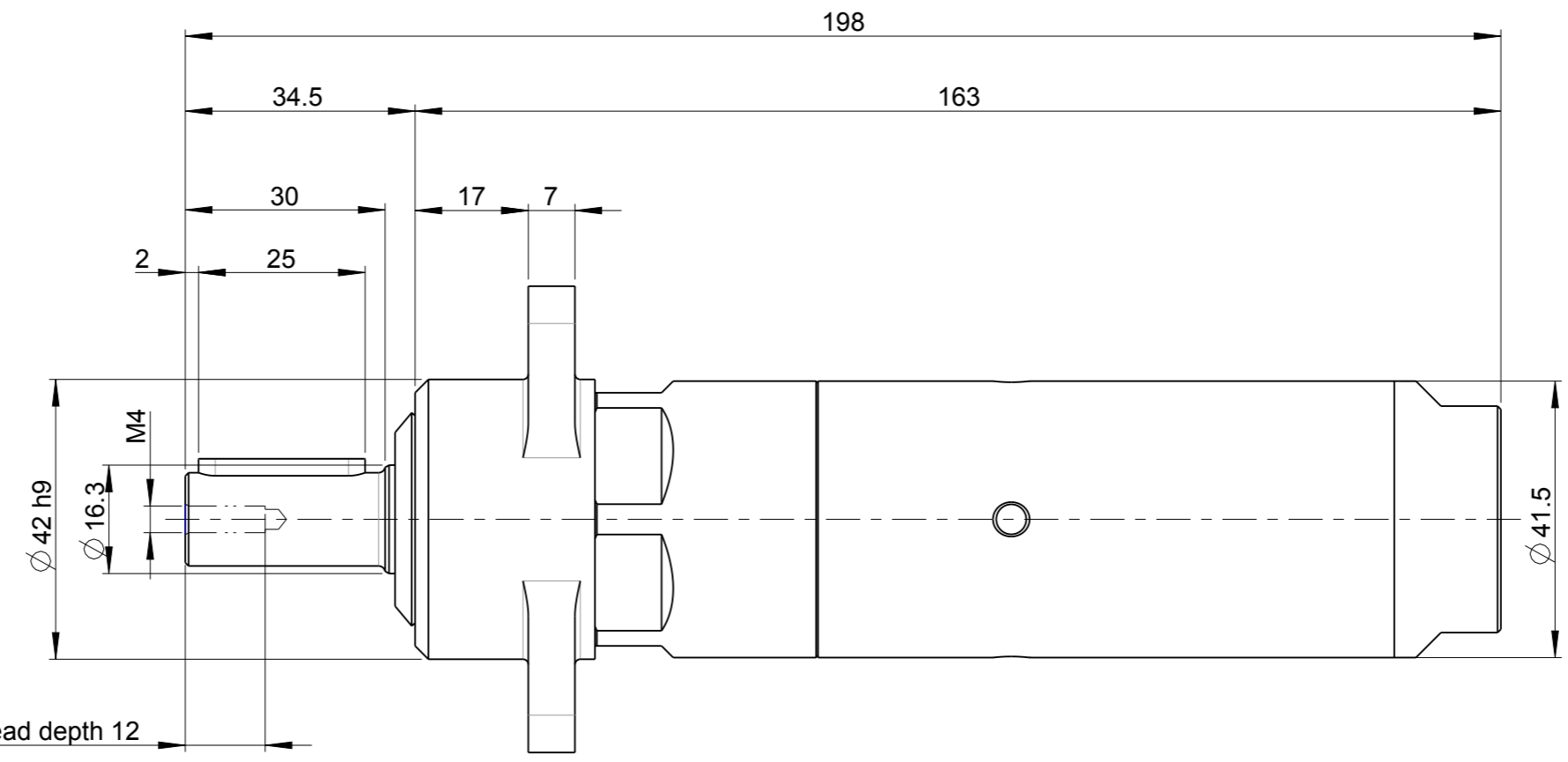
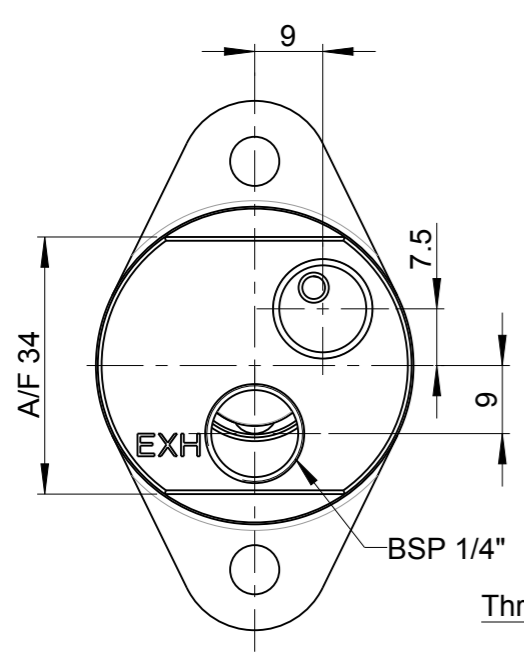


Model name: LZB33_L_A_2_20
 Drawing name: LZB33_L_A_2_20
 Rev/Ver: 0.1



MOTOR NAME	ORDERING NO.
LZB33-L-A013-20	8411 0352 75
LZB33-L-A007-20	8411 0352 83
LZB33-L-A005-20	8411 0352 91

This document is our property and shall not without our permission be altered, copied, used for manufacturing or communicated to any other person or company.

Note	Pos.	Modified from	Date	Intr.
0	-	-	-	-

Tolerances, if not indicated, according to:		-	-	-	-	-
AC-STD		-	-	-	-	-
Name: VANE MOTOR LZB33-L-AXXX-20					LZB33-A	
Material:					1102 K/-	
					CAD Pro/E	
Scale: 1:1		Format: A3	Family: -	Compare: -		Drawing owner: TOO
Drawn: OM		Cons.class: 1295 K/-	Rev: 0	Status: In Work		Designation: LZB33 L A 2 20
Transferred from: -		Mass/Volume: -	Date: 2015-09-25		Sheet 1 (1)	

LZB33 L A 2 20