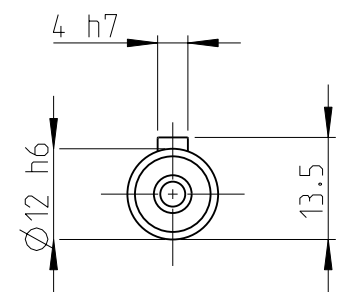
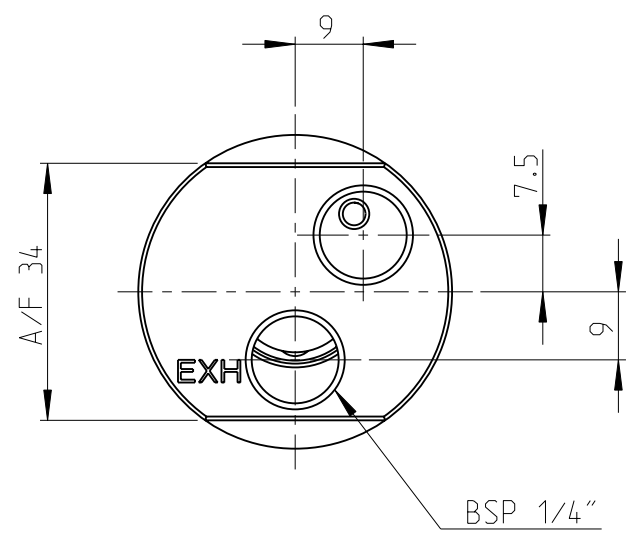
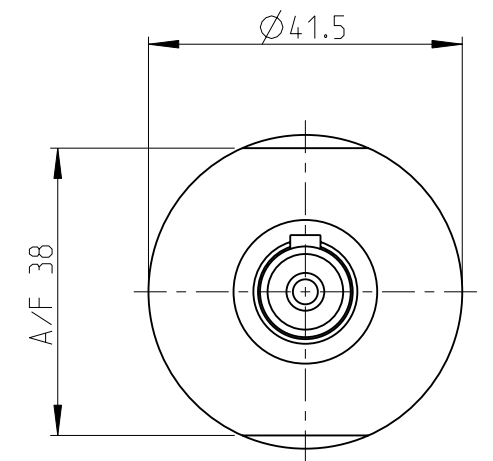
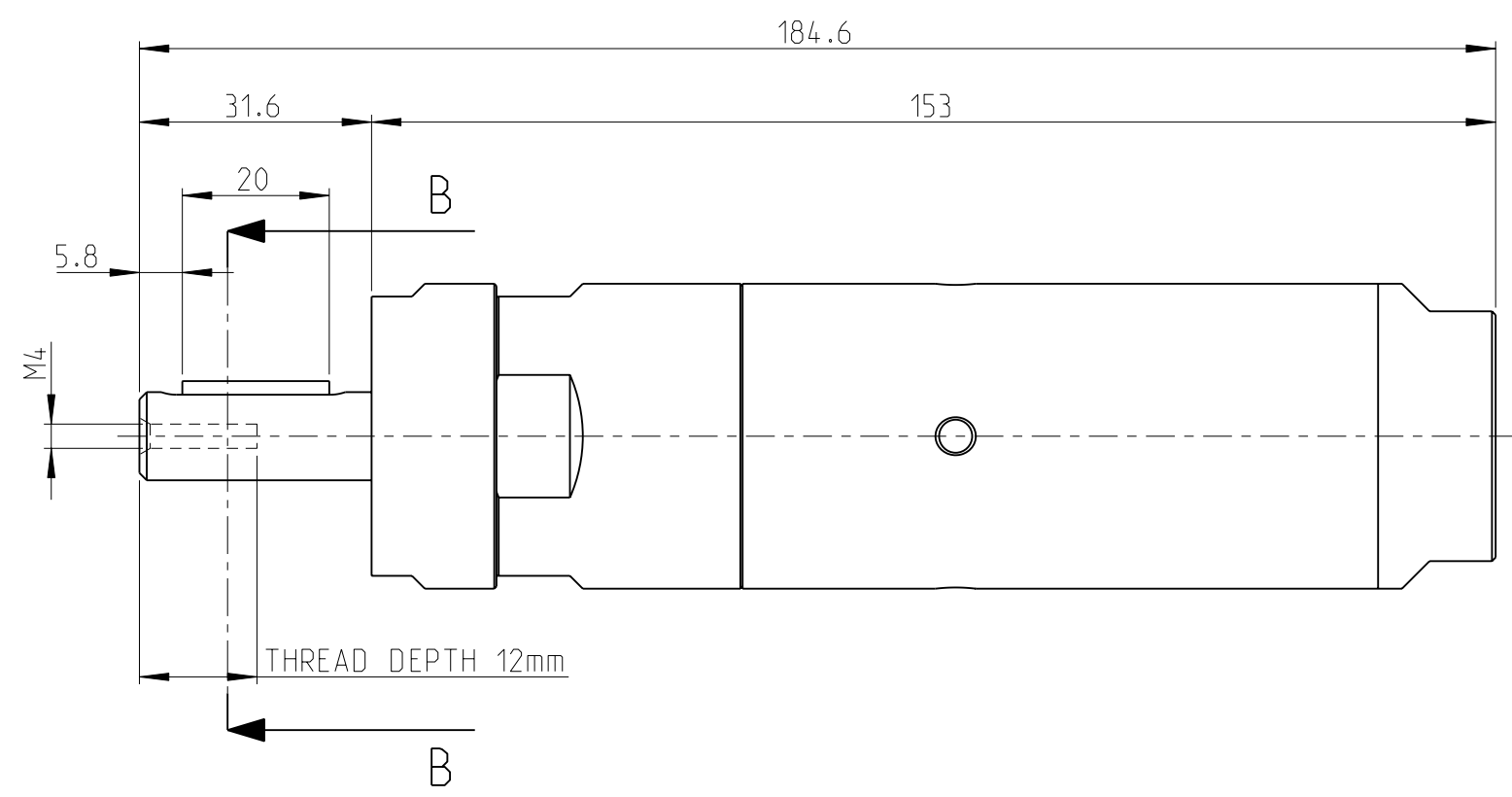


Model name LZB33_L_A_2_11 Rev.Ver 0.2
 Drawing name LZB33_L_A_2_11 Rev.Ver 0.5



B-B



MOTOR NAME	ORDERING NO.
LZB33-L-A013-11	8411 0306 49
LZB33-L-A007-11	8411 0306 56
LZB33-L-A005-11	8411 0306 64

This document is our property and shall not without our permission be altered, copied, used for manufacturing or communicated to any other person or company.

Note	Pos.	Modified from	Date	Intr.
0	-	-	-	-

Tolerances, if not indicated, according to:		-	-	-	-	-
AC-STD		-	-	-	-	-
Name VANE MOTOR LZB33-L-AXXX-11				LZB33-L-A		Secrecy class
Material LUBRICATION FREE				1102 K/-		
				CAD Pro/E		
	Scale	1:1	Format	A3	Family	-
	Drawn	F GRINELL		Blank	-	
Transferred from	Cons.class	1295 K/-	Rev	0	Status	Design
	Mass/Volume	-		Date	2013-04-18	Designation
						Sheet 1 (1)
						Drawing owner
						T00
						LZB33_L_A_2_11