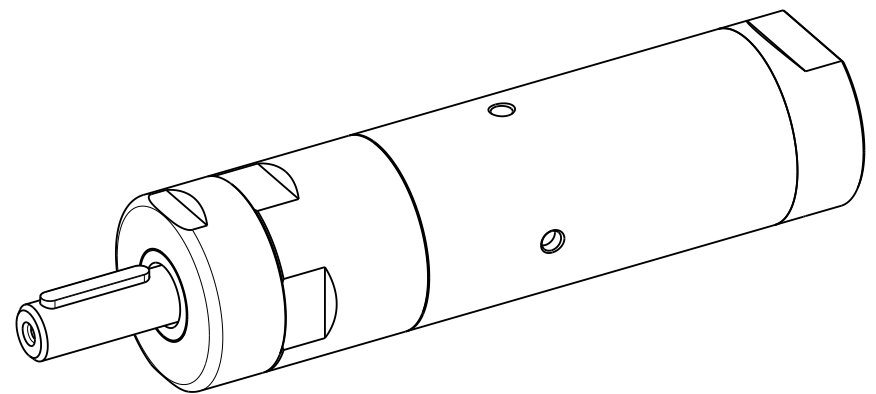


This drawing is applicable for below products:

MOTOR NAME	ORDERING NO.
LZB33-L-A013-11	8411 0306 49
LZB33-L-A007-11	8411 0306 56
LZB33-L-A005-11	8411 0306 64



Atlas Copco

Date	Scale	Ordering No.	Model
2024-11-07	0.750	8411 030x xx	LZB33-L-A-11