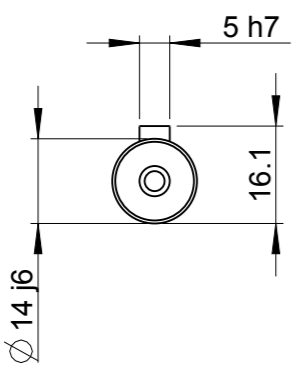
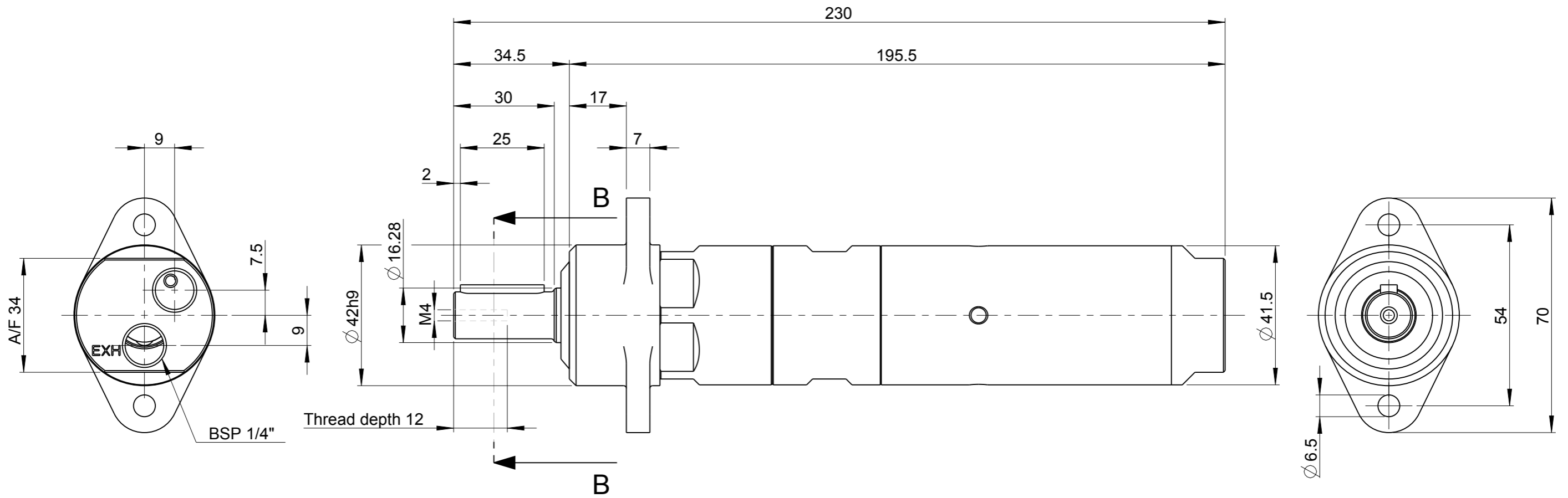


Model name	LZB33_L_A_3_11	Rev/Ver	0.5
Drawing name	LZB33_L_A_3_11	Rev/Ver	0.5



MOTOR NAME	ORDERING NO.
LZB33-L-A0030-11	8411 0306 72

B-B

This document is our property and shall not without our permission be altered, copied, used for manufacturing or communicated to any other person or company.

Note	Pos.	Modified from	Date	Intr.
0	-	-	-	-

Tolerances, if not indicated, according to:		-	-	-	-	-
AC-STD		-	-	-	-	-
Name		VANE MOTOR LZB33-L-AXXX-11			LZB33-L-A	
Material		LUBRICATION FREE			1102 K/-	
					CAD Pro/E	
Scale		4:5	Format	A3	Family	-
Drawn		F GRINELL		Blank	Compare	-
Transferred from		Cons.class	1295 K/-	Rev	0	Status
		Mass/Volume	-	Date	2013-04-18	In Work
		Designation			TOO	
					Sheet 1 (1)	
					LZB33 L A 3 11	

A
B
C
D
E
F
G