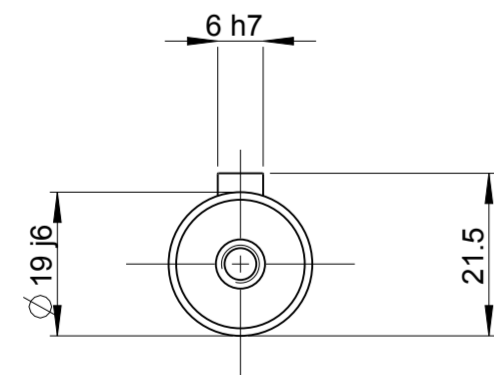
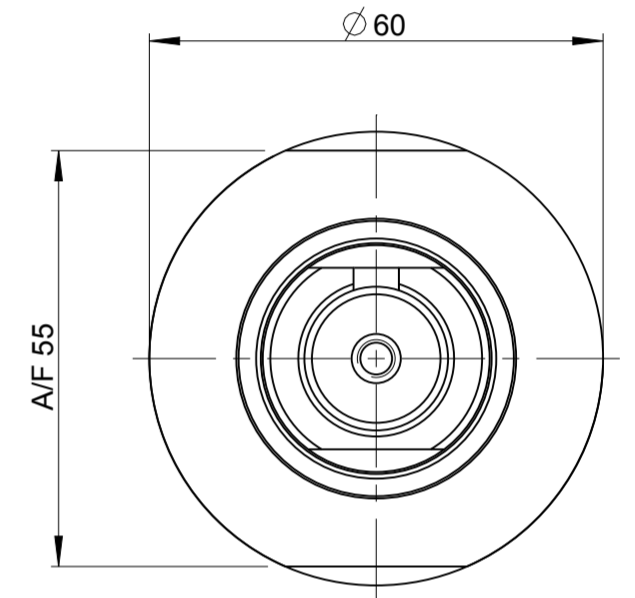
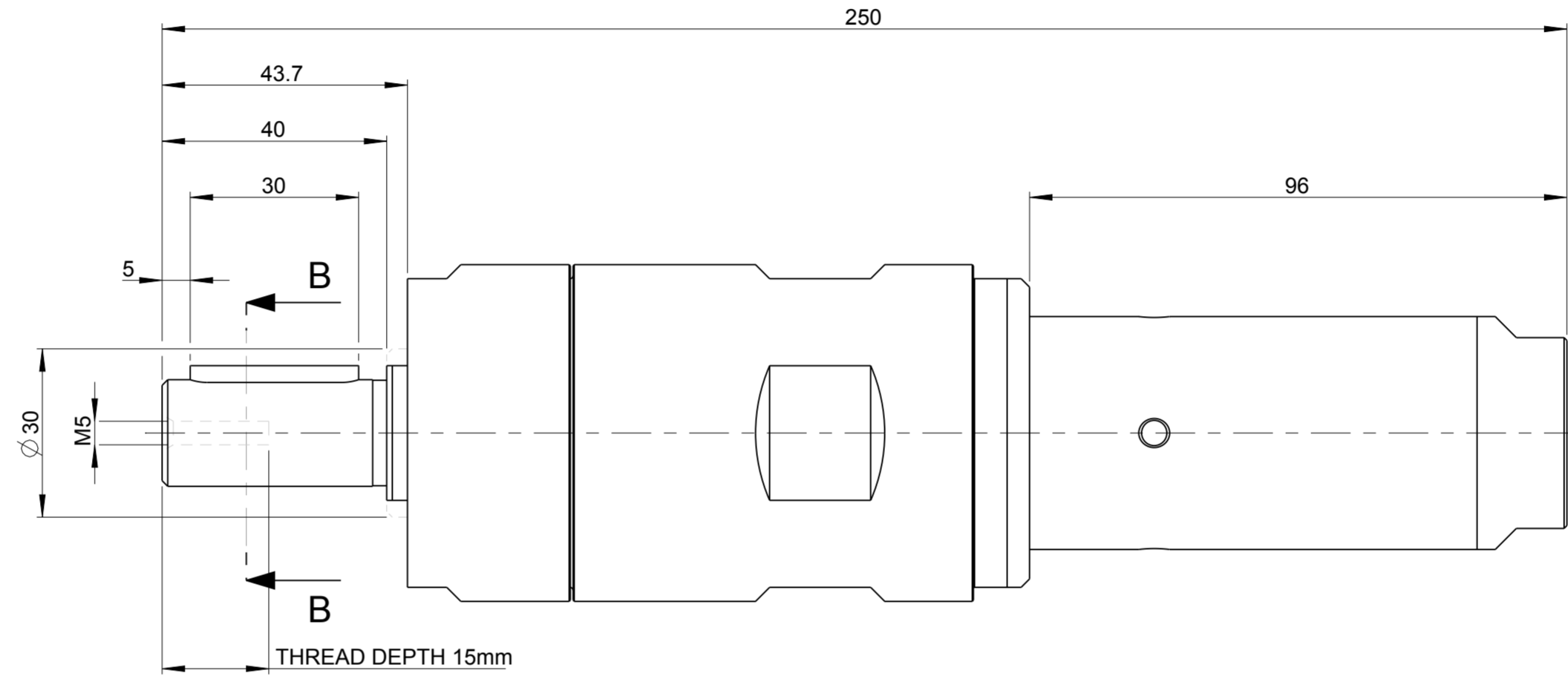
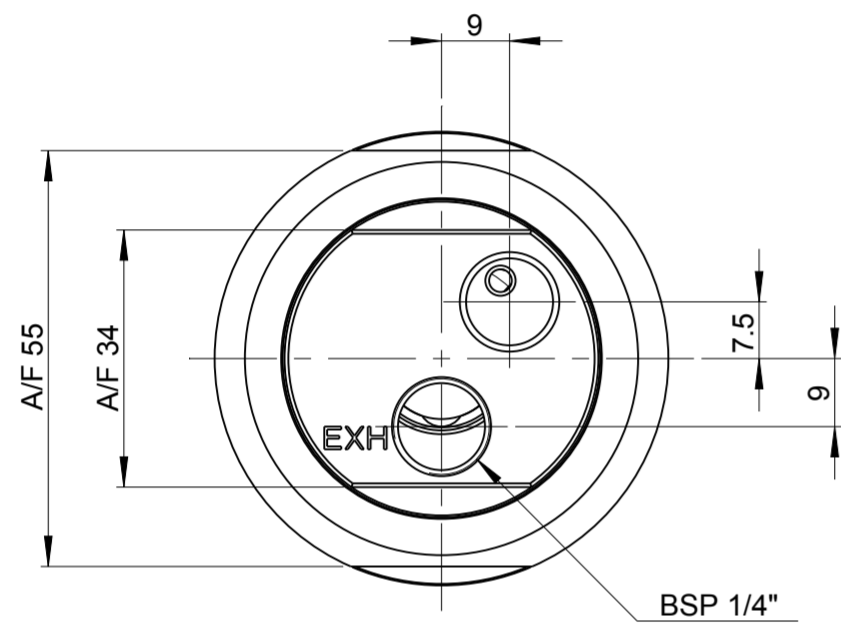


Model: LZB33\_L\_A\_3\_HT\_11 Rev: 02  
 Drawing: LZB33\_L\_A\_3\_HT\_11 Rev: 03



B-B

MOTOR NAME	ORDERING NO.
LZB33-L-A0020-11	8411 0322 07
LZB33-L-A0015-11	8411 0322 15
LZB33-L-A0011-11	8411 0322 23
LZB33-L-A0008-11	8411 0322 31
LZB33-L-A0007-11	8411 0322 49

This document is our property and shall not without our permission be altered, copied, used for manufacturing or communicated to any other person or company.

Note	Pos.	Modified from	Date	Intr.
0	-	-	-	-

Tolerances, if not indicated, according to:		-		-		-		-		-	
AC-STD		-		-		-		-		-	
Name: VANE MOTOR LZB33-L-AXXX-11								LZB33-L-A		Secrecy class	
Material: LUBRICATION FREE								1102 K/-		Drawing owner	
-								CAD Pro/E		TOO	
Scale: 1:1		Format: A2		Family: -		Compare: -		Replaces: -		Drawing owner	
Drawn: F GRINELL		Blank: -		Status: In Work		Designation: LZB33_L_A_3_HT_11		Sheet 1 (1)		TOO	
Transferred from: -		Cons. class: 1295 K/-		Rev: 0		Date: 2013-04-23		-		-	
-		Mass/Volume: -		-		-		-		-	