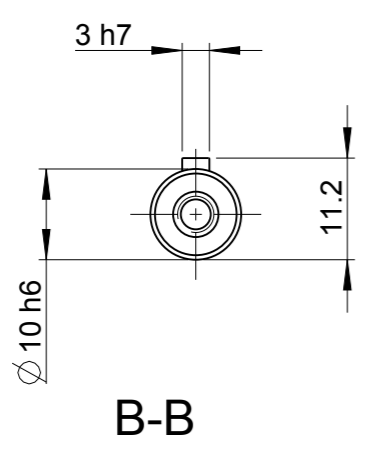
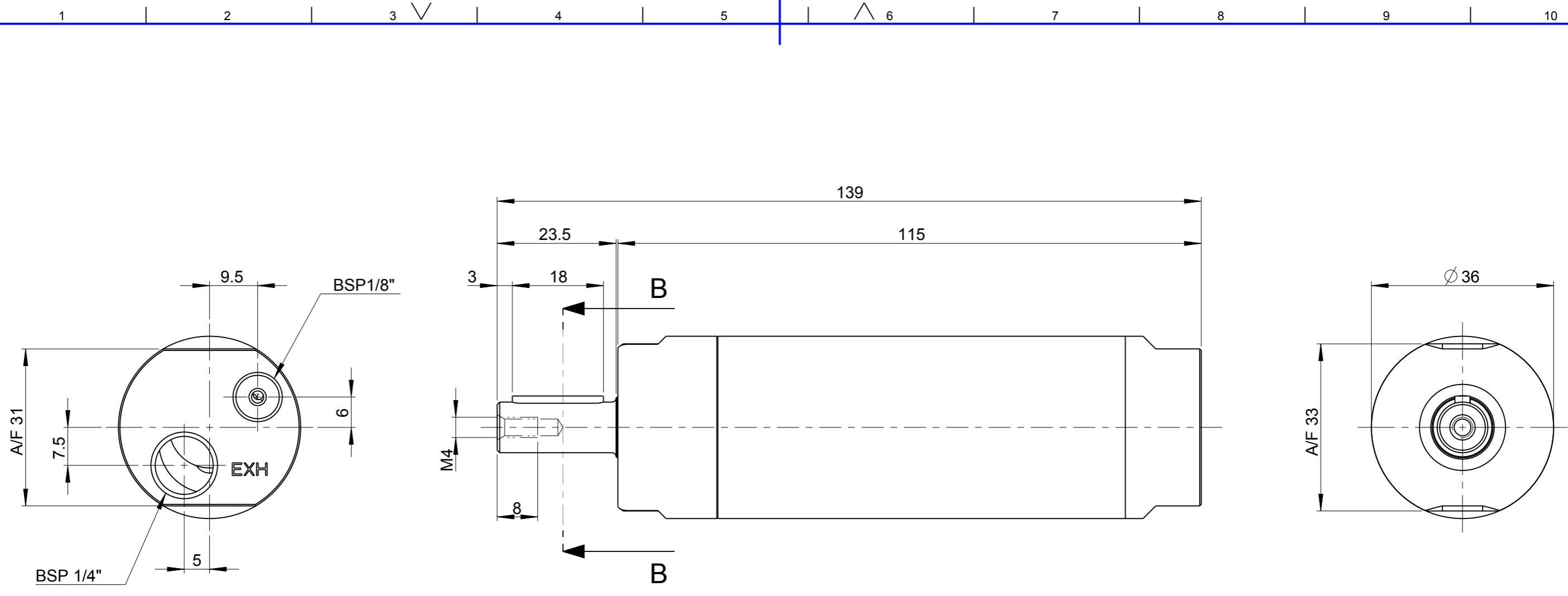


Model name	LZB22_RL_A_1_11	Rev/Ver	0.3
Drawing name	LZB22_RL_A_1_11	Rev/Ver	0.5



MOTOR NAME	ORDERING NO.
LZB22-RL-A220-11	8411 0219 11
LZB22-RL-A049-11	8411 0219 29
LZB22-RL-A036-11	8411 0219 37
LZB22-RL-A022-11	8411 0219 45

This document is our property and shall not without our permission be altered, copied, used for manufacturing or communicated to any other person or company.

Note	Pos.	Modified from	Date	Intr.
0	-	-	-	-

Tolerances, if not indicated, according to:		-	-	-	-	-	
AC-STD		-	-	-	-	-	
Name		VANE MOTOR LZB22-RL-AXXX-11			LZB22-RL-A		
Material		STAINLESS STEEL/LUBRICATION FREE			1102 K/-		
					CAD Pro/E		
Scale		6:5	Format	A3	Family	-	
Drawn		F GRINELL		Blank	-		
Transferred from		-		Cons.class	1295 K/-	Rev	0
				Status	In Work		
				Designation	LZB22_RL_A_1_11		
				Date	2013-04-17		
				Mass/Volume	-		
				Drawing owner	TOO		
				Sheet 1 (1)			