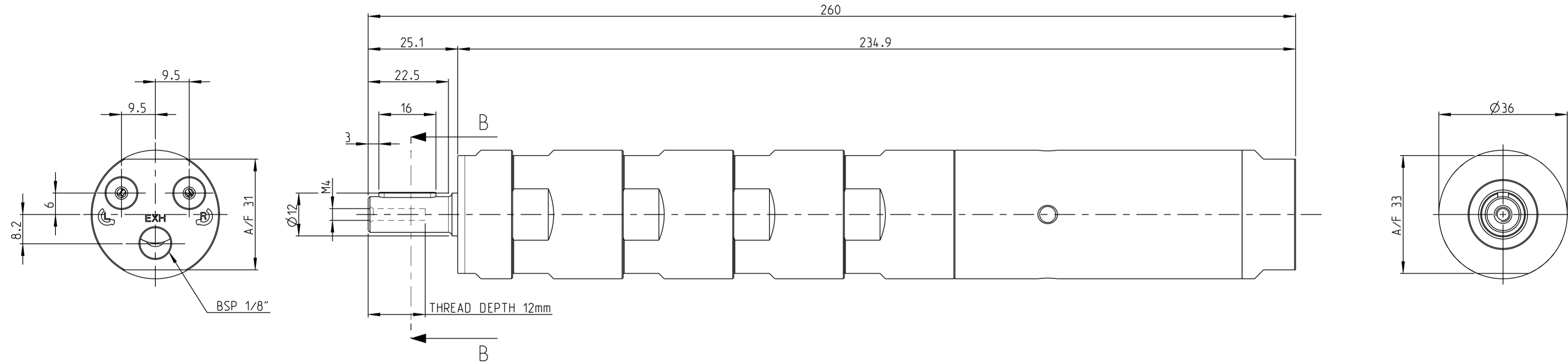
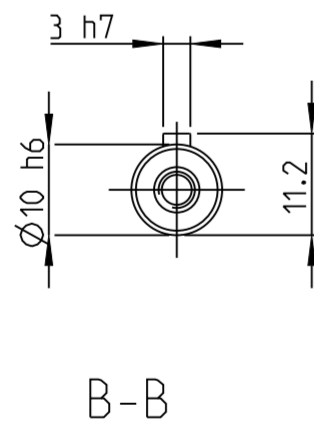


Model name	LZB22-L-LR-5-11	Rev: 0.2
Drawing name	LZB22-L-LR-5-11	Rev: 0.3



MOTOR NAME	ORDERING NO.
LZB22-L-LR5-11	8411 0216 14



This document and its content is the intellectual property of Atlas Copco Industrial Technique AB. All rights reserved. No part of this document may be reproduced, distributed, or copied without prior written authorization is strictly prohibited.

Note	Pos.	Modified from	Date	Intr.
0	-	-	-	-

Tolerances, if not indicated, according to:		-	-	-	-	-
AC-STD		-	-	-	-	-
Name		VANE MOTOR LZB22-L-LRXXX-11			LZB22-L-LR	Secrecy class
Material		LUBRICATION FREE			1102 K/-	
					CAD Pro/E	
Scale		6:5	Format	A2	Family	-
Drawn		F GRINELL		Blank	-	Replaces
Cons.class		1295 K/-	Rev	0	Status	In Work
Transferred from				Date	2013-05-02	Designation
Mass/Volume						LZB22_L_LR_5_11
						Drawing owner
						T00
						Sheet 1 (1)