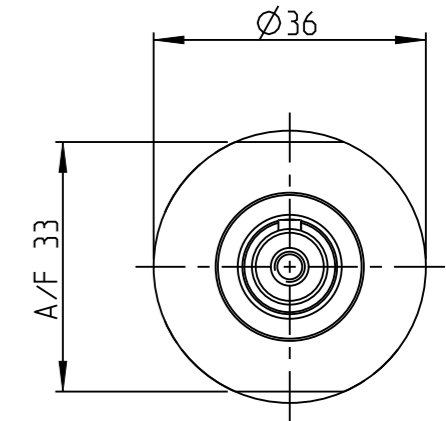
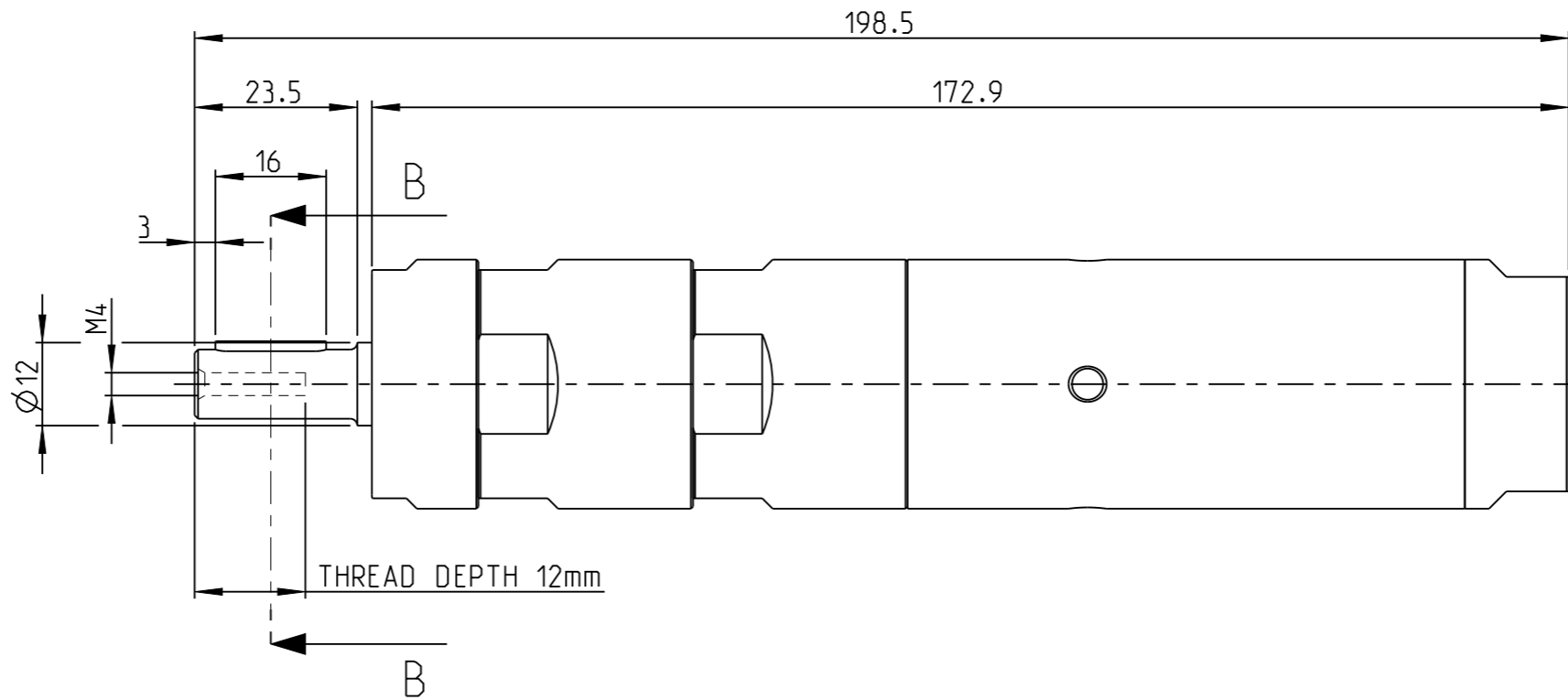
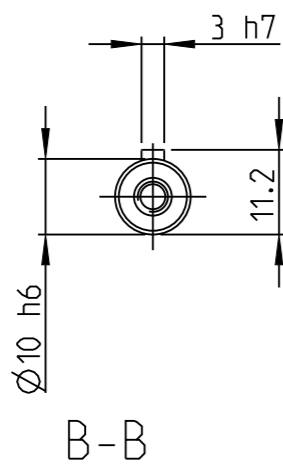
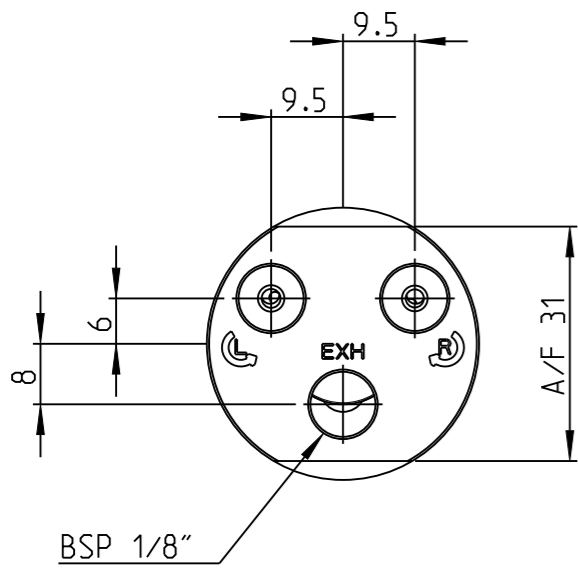


Model name	LZB22-L-LR_3_11	Rev. Ver	0.2
Drawing name	LZB22-L-LR_3_11	Rev. Ver	0.4



MOTOR NAME	ORDERING NO.
LZB22-L-LR100-11	8411 0216 22

This document and its content is the intellectual property of Atlas Copco Industrial Technique AB. Any use, including but not limited to reproduction, distribution, publication, modification and copying without prior written authorization is strictly prohibited.

Note	Pos.	Modified from	Date	Intr.
0	-	-	-	-

Tolerances, if not indicated, according to:		-	-	-	-	-
AC-STD		-	-	-	-	-
Name VANE MOTOR LZB22-L-LRXXX-11					LZB22-L-LR	
Material LUBRICATION FREE					1102 K/-	
					CAD Pro/E	
Scale 1:1		Format A3	Family -	Compare -		Drawing owner TOO
Drawn F GRINELL		Blank -	Replaces -			
Transferred from -		Cons.class 1295 K/-	Rev 0	Status In Work	Designation LZB22-L-LR_3_11	
Mass/Volume -		Date 2013-04-17		Sheet 1 (1)		