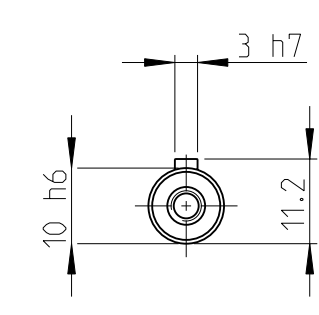
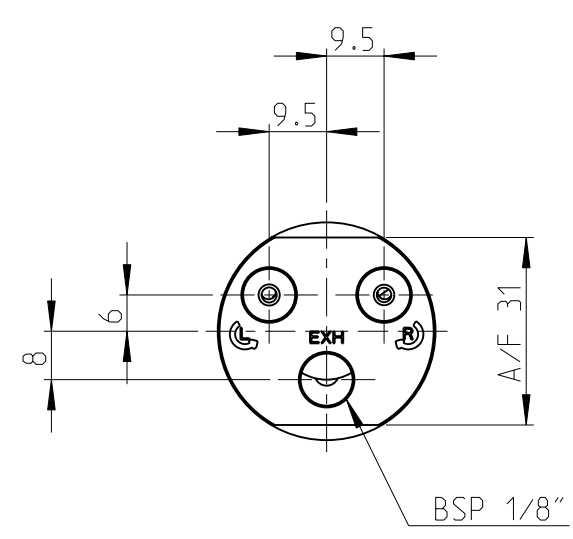
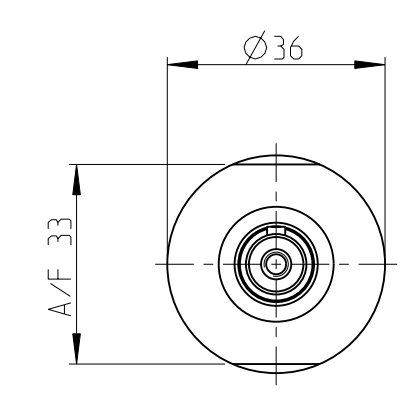
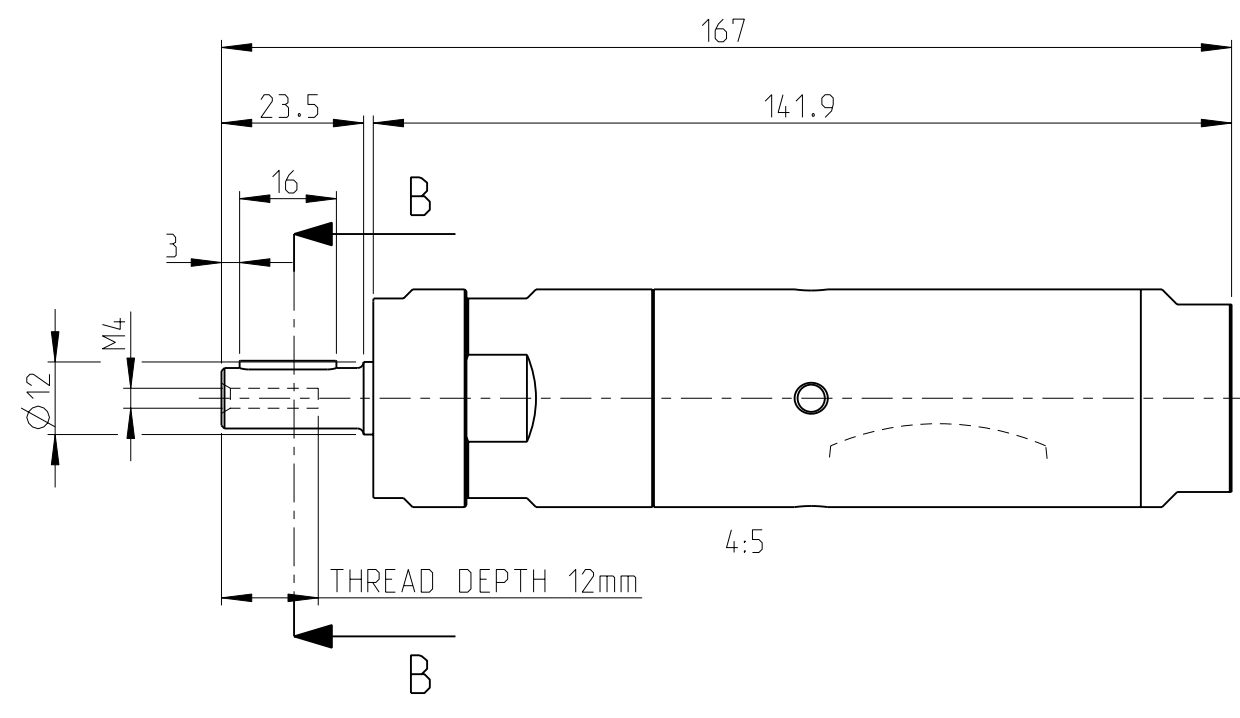


Model name [ZB22\_L\_AR\_2\_11] Rev.Ver 0.3  
 Drawing name [ZB22\_L\_AR\_2\_11] Rev.Ver 0.3



B-B



MOTOR NAME	ORDERING NO.
LZB22-L-AR006-11	8411 0215 80
LZB22-L-AR005-11	8411 0215 98
LZB22-L-AR003-11	8411 0216 06

This document is our property and shall not without our permission be altered, copied, used for manufacturing or communicated to any other person or company.

Note	Pos.	Modified from	Date	Intr.
0	-	-	-	-

Tolerances, if not indicated, according to:		-	-	-	-	-
AC-STD		-	-	-	-	-
Name VANE MOTOR LZB22-L-ARXXX-11					LZB22-L-AR	
Material LUBRICATION FREE					1102 K/-	
					CAD Pro/E	
Scale 1:1		Format A3	Family -	Compare -		Drawing owner <b>TOO</b>
Drawn F GRINELL		Blank -		Replaces -		
Transferred from -		Cons.class 1295 K/-	Rev 0	Status Design	Designation LZB22_L_AR_2_11	
		Mass/Volume -	Date 2013-04-16	Sheet 1 (1)		