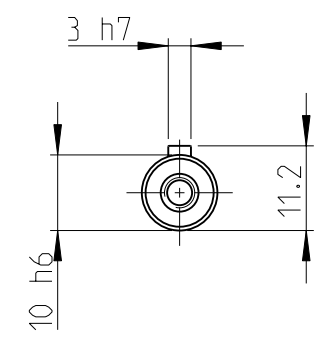
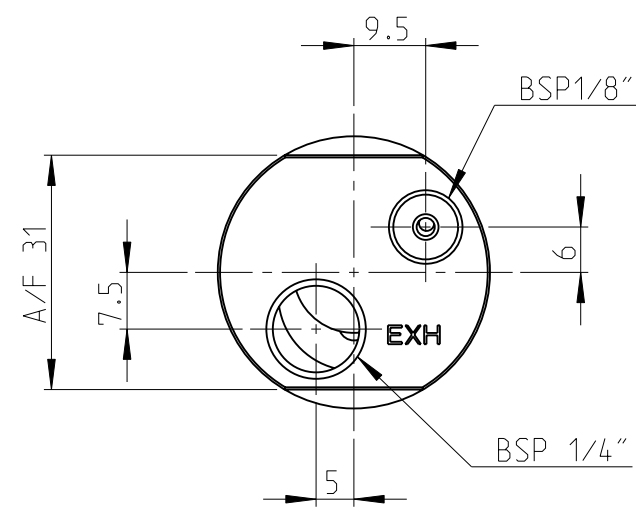
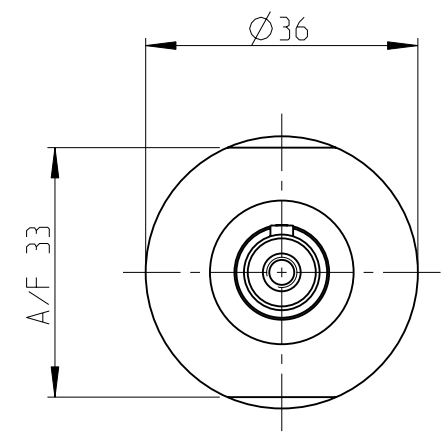
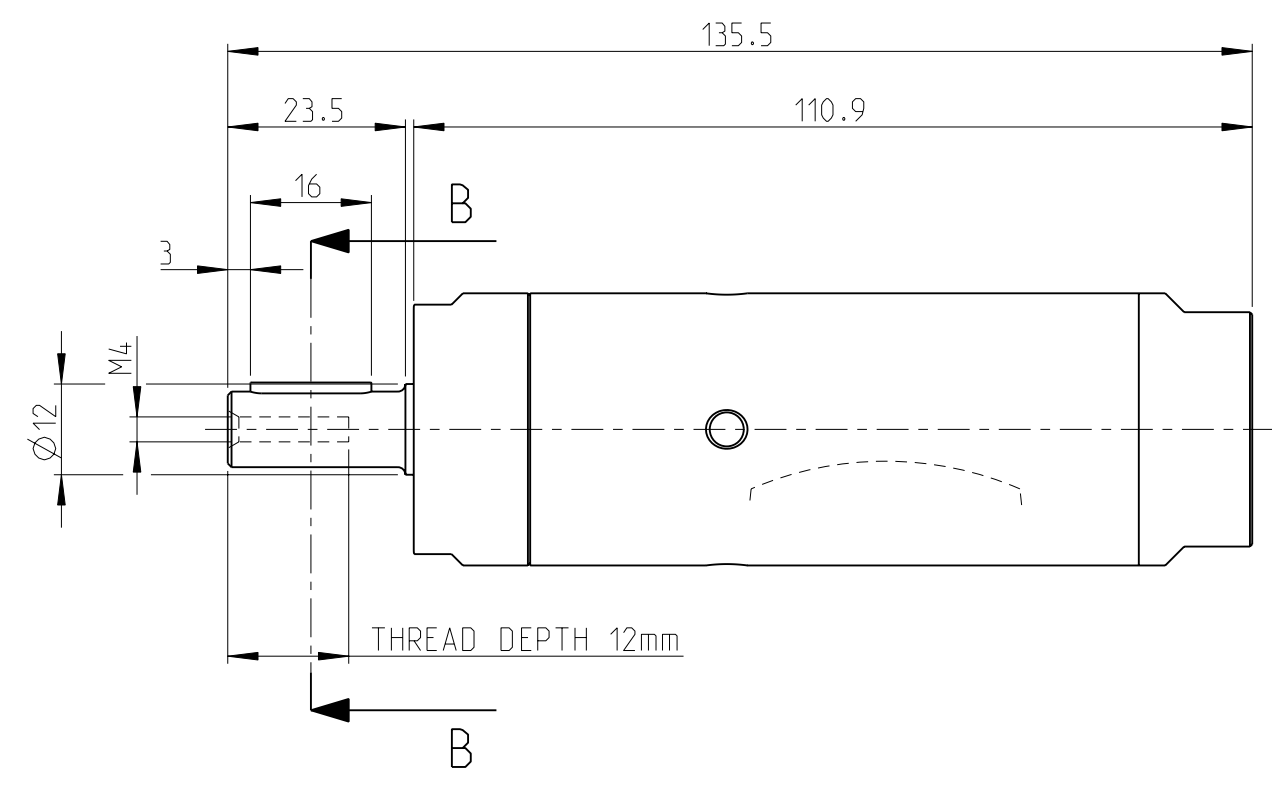


Model name LZB22_L_A_1_11 Rev.Ver 0.3
 Drawing name LZB22_L_A_1_11 Rev.Ver 0.4



B-B



MOTOR NAME	ORDERING NO.
LZB22-L-A220-11	8411 0214 08
LZB22-L-A049-11	8411 0214 16
LZB22-L-A036-11	8411 0214 24
LZB22-L-A022-11	8411 0214 32

Tolerances, if not indicated, according to:		-	-	-	-	-
AC-STD		-	-	-	-	-
Name VANE MOTOR LZB22-L-AXXX-11				LZB22-L		Secrecy class
Material LUBRICATION FREE				1102 K/-		
				CAD Pro/E		
	Scale	1:1	Format	A3	Family	-
	Drawn	F GRINELL		Blank	-	
Transferred from	Cons.class	1295 K/-	Rev	0	Status	Design
	Mass/Volume	-		Date	2013-04-16	Designation
						Sheet 1 (1)
						Drawing owner
						T00
						LZB22_L_A_1_11

Note	Pos.	Modified from	Date	Intr.
0	-	-	-	-

This document is our property and shall not without our permission be altered, copied, used for manufacturing or communicated to any other person or company.