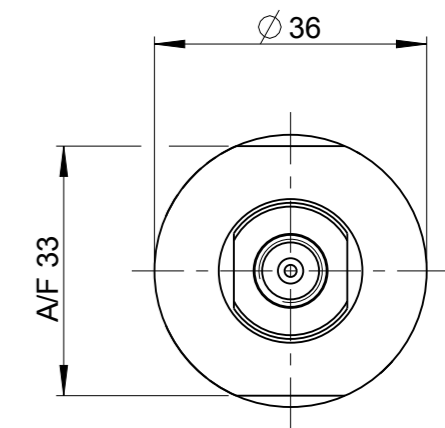
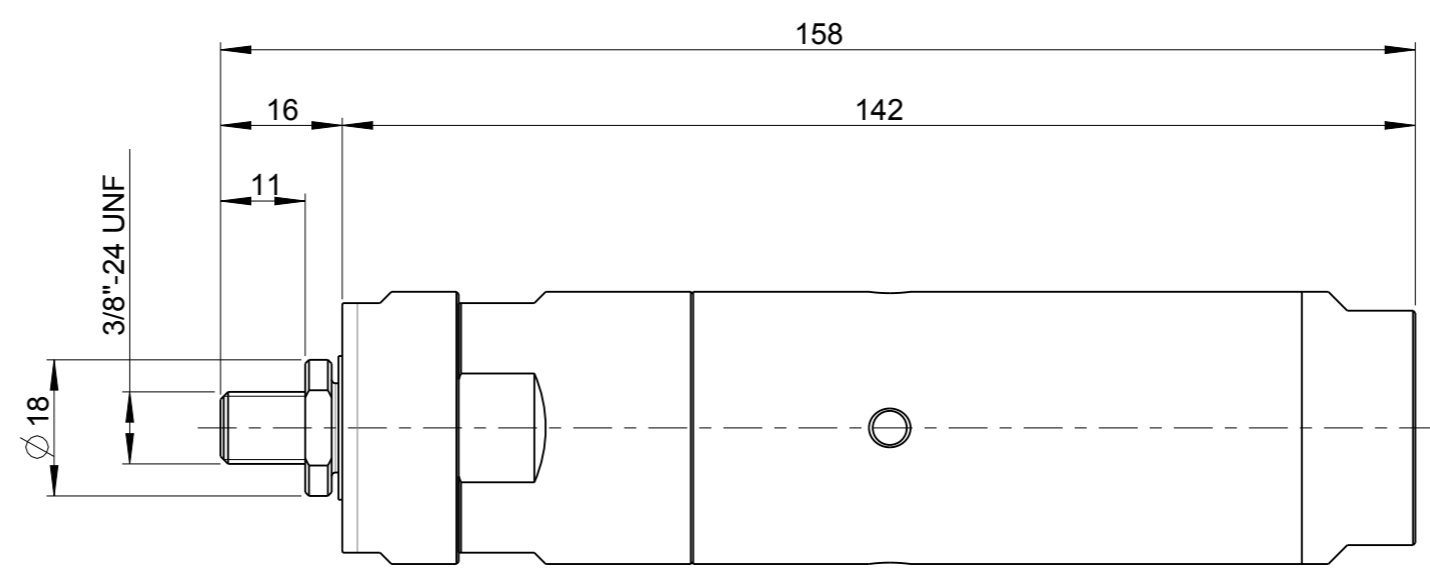
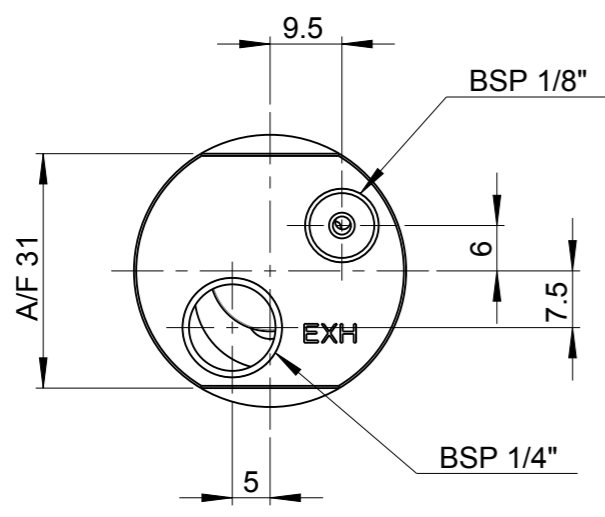


|              |                |         |     |
|--------------|----------------|---------|-----|
| Model name   | LZB22_L_A_2_12 | Rev/Ver | 0.4 |
| Drawing name | LZB22_L_A_2_12 | Rev/Ver | 0.4 |



| MOTOR NAME      | ORDERING NO. |
|-----------------|--------------|
| LZB22-L-A011-12 | 8411 0215 15 |
| LZB22-L-A008-12 | 8411 0215 23 |
| LZB22-L-A005-12 | 8411 0215 31 |

|                                             |  |                     |                 |                |             |               |               |
|---------------------------------------------|--|---------------------|-----------------|----------------|-------------|---------------|---------------|
| Tolerances, if not indicated, according to: |  | -                   | -               | -              | -           | -             |               |
| AC-STD                                      |  | -                   | -               | -              | -           | -             |               |
| Name VANE MOTOR LZB22-L-AXXX-12             |  |                     |                 |                | LZB22-L     |               | Secrecy class |
| Material LUBRICATION FREE                   |  |                     |                 |                | 1102 K/-    |               |               |
| -                                           |  |                     |                 |                | CAD Pro/E   |               |               |
| Scale 1:1                                   |  | Format A3           | Family -        | Compare -      |             | Drawing owner |               |
| Drawn F GRINELL                             |  | Blank -             |                 | Replaces -     |             |               |               |
| Transferred from -                          |  | Cons.class 1295 K/- | Rev 0           | Status In Work | Designation |               | Sheet 1 (1)   |
| -                                           |  | Mass/Volume -       | Date 2013-04-15 | LZB22_L_A_2_12 |             |               |               |

| Note | Pos. | Modified from | Date | Intr. |
|------|------|---------------|------|-------|
| 0    | -    | -             | -    | -     |

This document is our property and shall not without our permission be altered, copied, used for manufacturing or communicated to any other person or company.