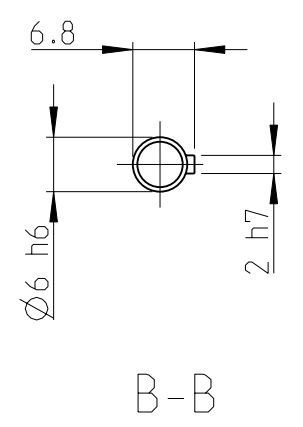
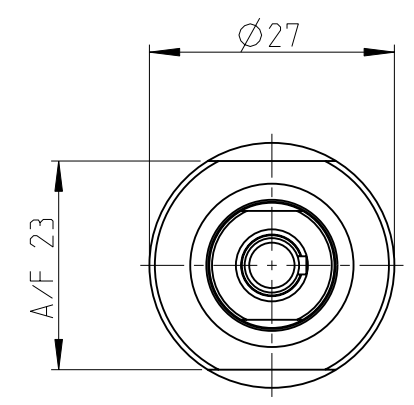
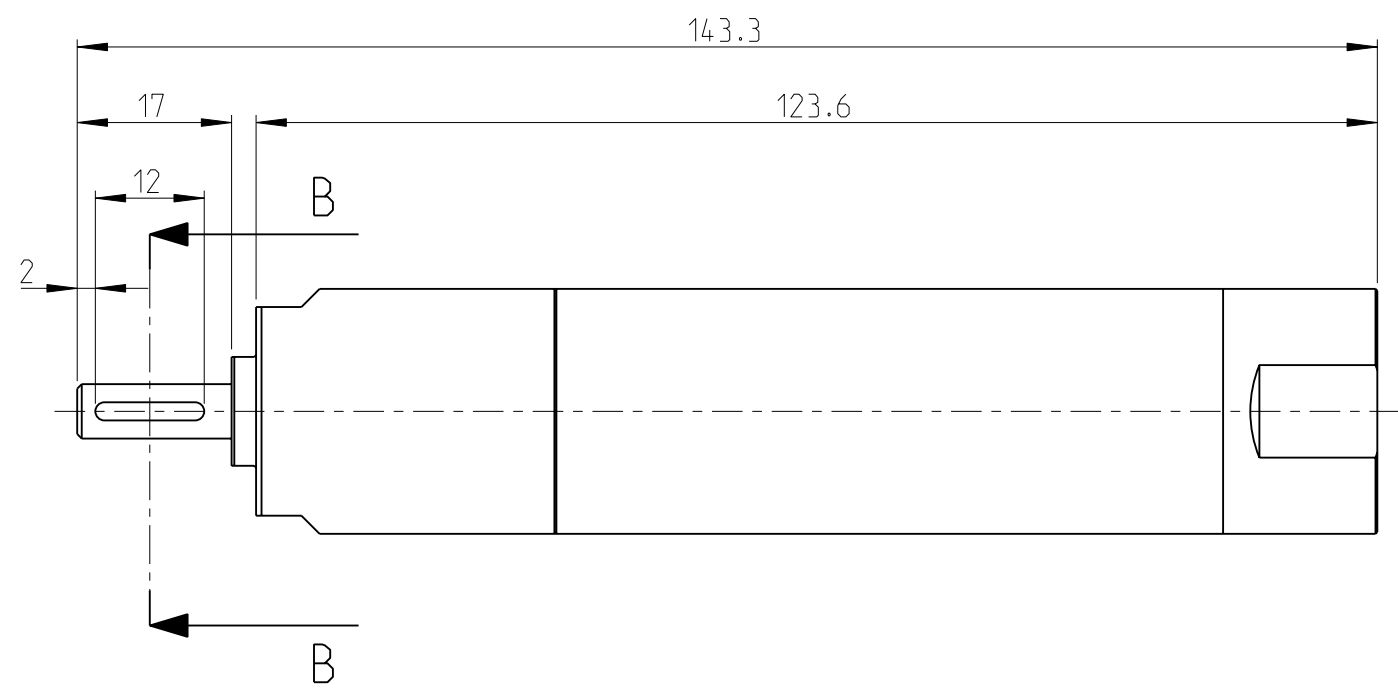
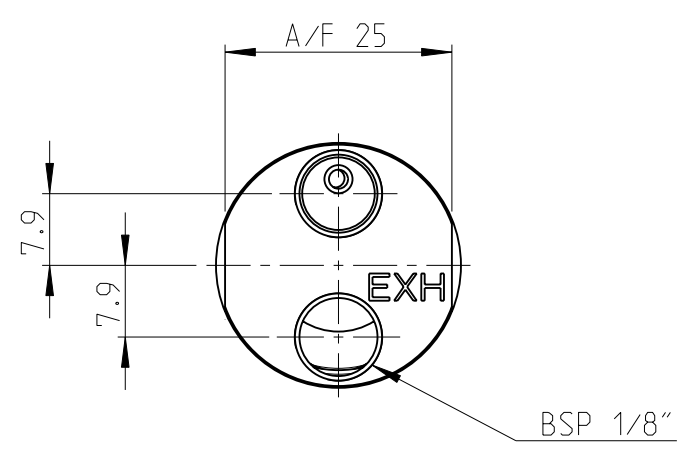


Model name	LZB14_RL_A_2_11	Rev.Ver	0.2
Drawing name	LZB14_RL_A_2_11	Rev.Ver	0.3



MOTOR NAME	ORDERING NO.
LZB14-RL-A012-11	8411 1012 33
LZB14-RL-A012-11	8411 0122 41

This document is our property and shall not without our permission be altered, copied, used for manufacturing or communicated to any other person or company.

Note	Pos.	Modified from	Date	Intr.
0	-	-	-	-

Tolerances, if not indicated, according to:		-	-	-	-	-
AC-STD		-	-	-	-	-
Name VANE MOTOR LZB14-RL-AXXX-11					LZB14-RL	
Material STAINLESS STEEL/LUBRICATION FREE					1102 K/-	
					CAD Pro/E	
Scale 6:5		Format A3	Family -	Compare -	Drawing owner	
Drawn F GRINELL		Blank -	Replaces -	TOO		
Transferred from -		Cons.class 1295 K/-	Rev 0	Status Design	Designation	
		Mass/Volume -	Date 2013-04-12	LZB14_RL_A_2_11		
					Sheet 1 (1)	