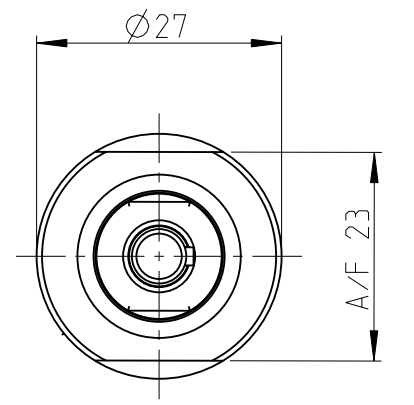
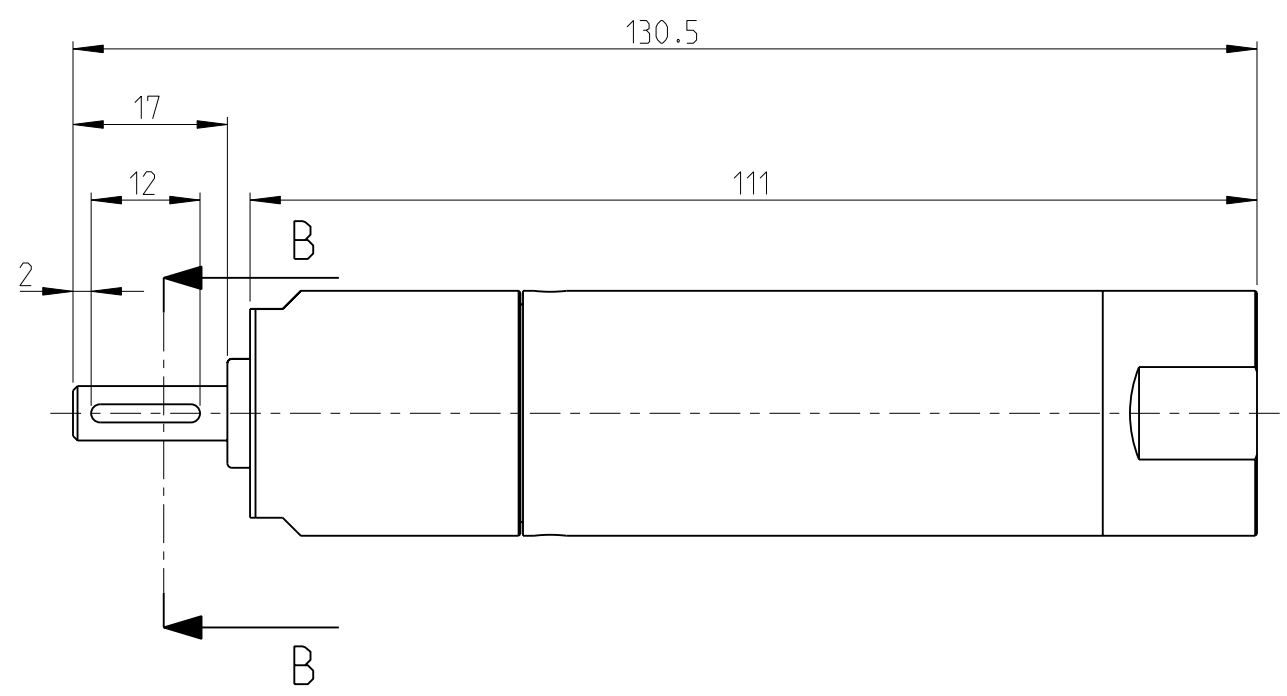
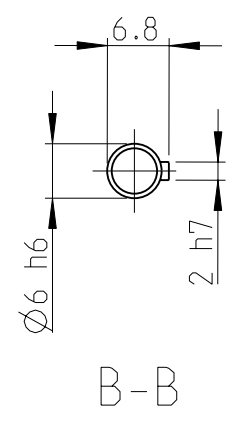
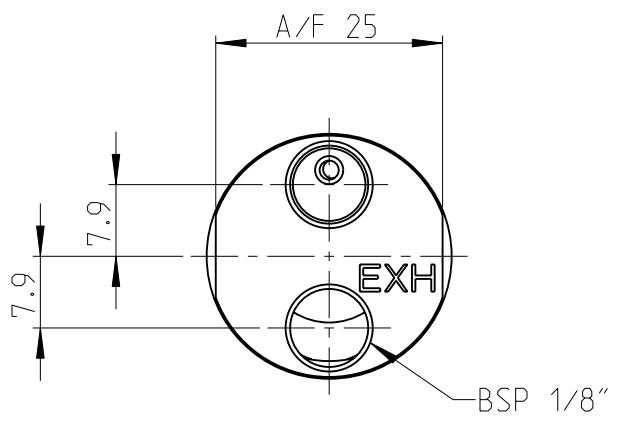


Model name LZB14_AV_1_11 Rev.Ver 0.4
 Drawing name LZB14_AV_1_11 Rev.Ver 0.4

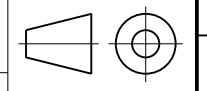


MOTOR NAME	Ordering No.
LZB14-L-AV190-11	8411 0117 06
LZB14-L-AV048-11	8411 0117 14
LZB14-L-AV029-11	8411 0117 22

This document is our property and shall not without our permission be altered, copied, used for manufacturing or communicated to any other person or company.

Note	Pos.	Modified from	Date	Intr.
0	-	-	-	-

Tolerances, if not indicated, according to:		-	-	-	-	-
AC-STD		-	-	-	-	-
Name VANE MOTOR LZB14-L-AVXXX-11					LZB14-L-AV	
Material LUBRICATION FREE					1102 K/-	
-					CAD Pro/E	
Scale 6:5		Format A3		Family -		Drawing owner TOO
Drawn F GRINELL		Blank -		Compare -		
Transferred from -		Cons.class 1295 K/-		Rev 0		Designation LZB14_L_AV_1_11
Mass/Volume -		Status Design		Date 2013-04-11		



Sheet 1 (1)