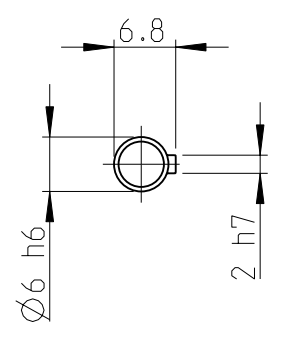
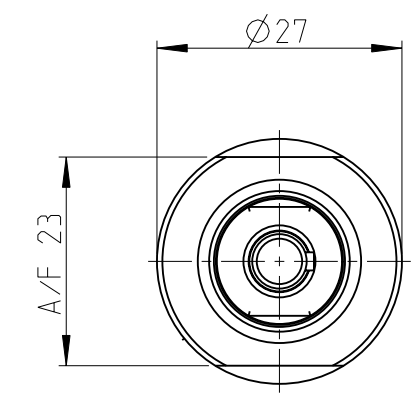
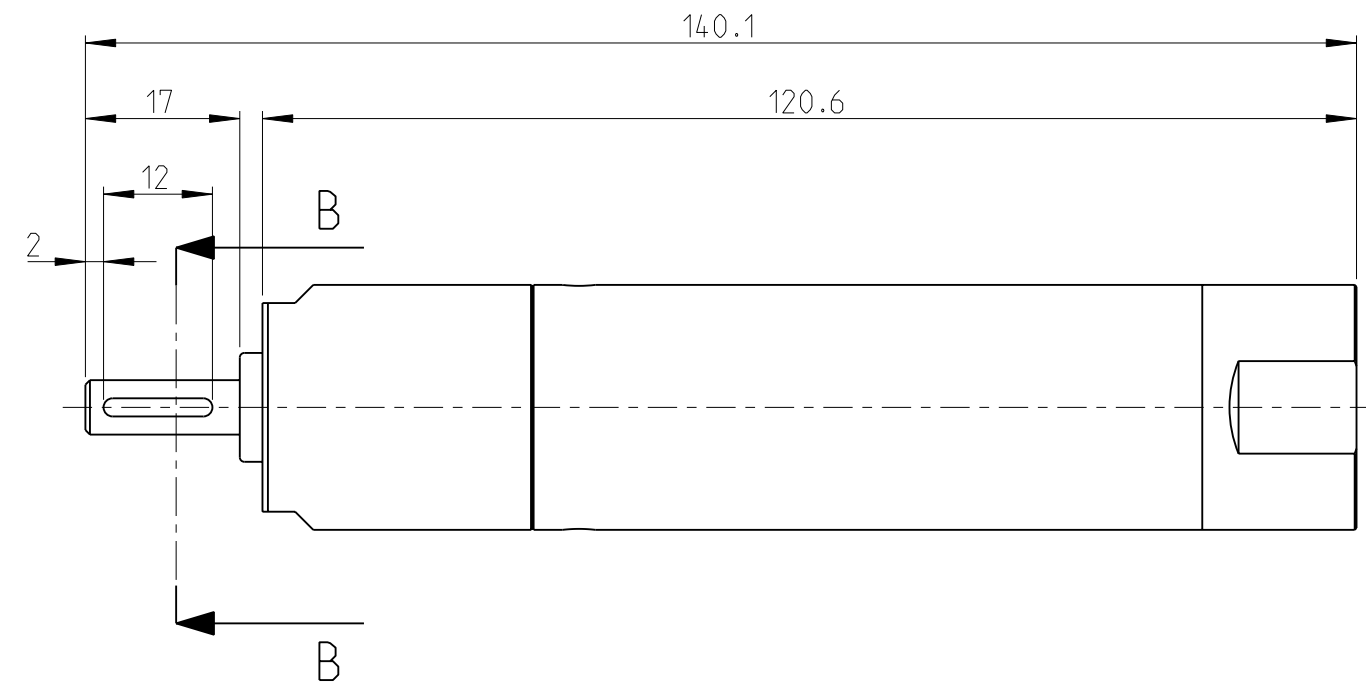
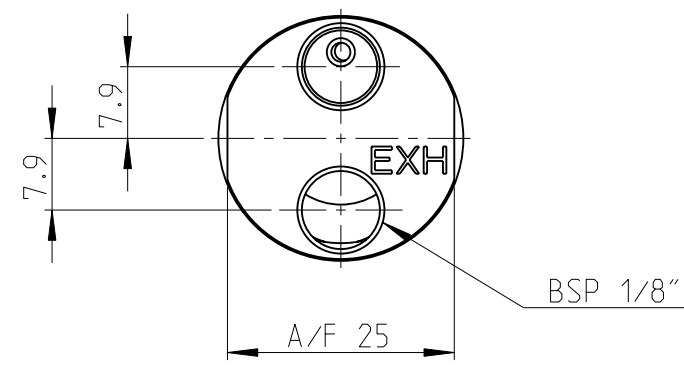


Model name	LZB14_L_AV_2_11	Rev.Ver	0.3
Drawing name	LZB14_L_AV_2_11	Rev.Ver	0.4



MOTOR NAME	Ordering No.
LZB14-L-AV012-11	8411 0117 30
LZB14-L-AV007-11	8411 0117 48

B-B

This document is our property and shall not without our permission be altered, copied, used for manufacturing or communicated to any other person or company.

Note	Pos.	Modified from	Date	Intr.
0	-	-	-	-

Tolerances, if not indicated, according to:		-	-	-	-	-
AC-STD		-	-	-	-	-
Name			VANE MOTOR LZB14-L-AVXXX-11		LZB14-L-AV	
Material			LUBRICATION FREE		Secrecy class	
					1102 K/-	
					CAD Pro/E	
Scale		6:5	Format		A3	
Drawn		F GRINELL		Family		-
Transferred from		-		Blank		-
Cons.class		1295 K/-	Rev		0	
Mass/Volume		-		Status		Design
				Date		2013-04-11
			Designation		LZB14_L_AV_2_11	
					Drawing owner	
					TOO	
					Sheet 1 (1)	