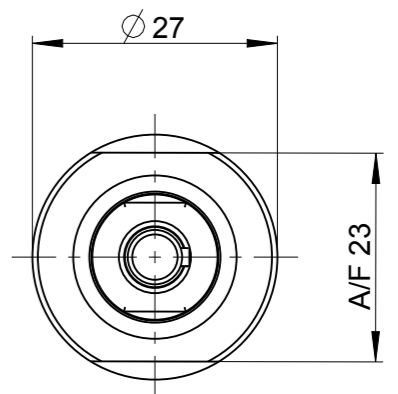
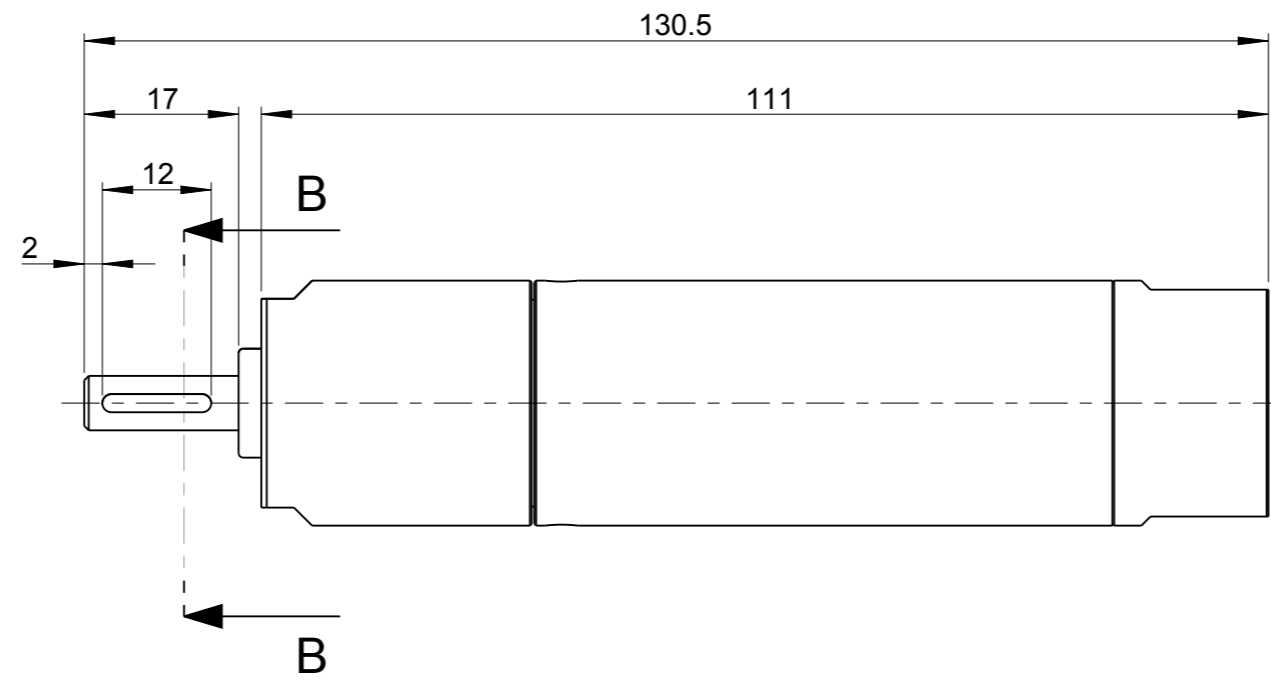
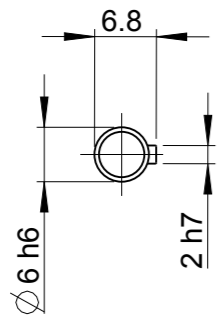
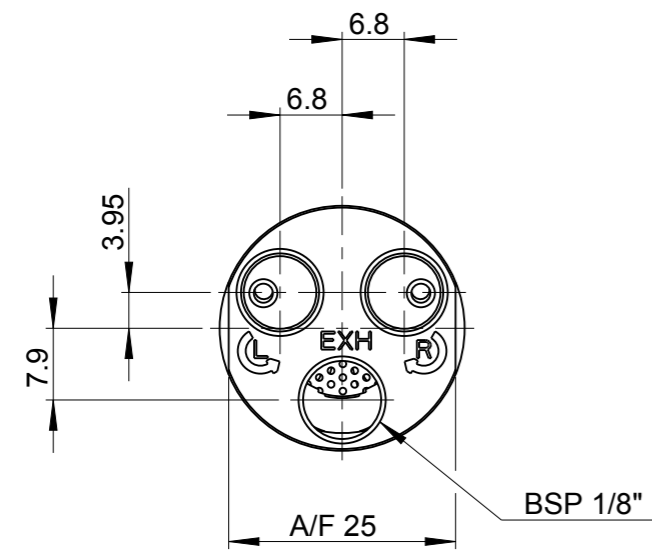


Model name	LZB14_L_AR_1_11	Rev/Ver	0.5
Drawing name	LZB14_L_AR_1_11	Rev/Ver	0.6



MOTOR NAME	Ordering No.
LZB14-L-AR140-11	8411 0115 08
LZB14-L-AR034-11	8411 0115 16
LZB14-L-AR020-11	8411 0115 24

Tolerances, if not indicated, according to:		-	-	-	-	-
AC-STD		-	-	-	-	-
Name VANE MOTOR LZB14-L-ARXXX-11				LZB14-L-AR		Secrecy class
Material LUBRICATION FREE				1102 K/-		
-				CAD Pro/E		
Scale 6:5		Format A3	Family -	Compare -		Drawing owner <b>TOO</b>
Drawn F GRINELL		Blank -		Replaces -		
Transferred from -		Cons.class 1295 K/-	Rev 0	Status In Work	Designation Sheet 1 (1)	
Mass/Volume -		Date 2013-04-11		<b>LZB14 L AR 1 11</b>		

Note	Pos.	Modified from	Date	Intr.
0	-	-	-	-

This document is our property and shall not without our permission be altered, copied, used for manufacturing or communicated to any other person or company.