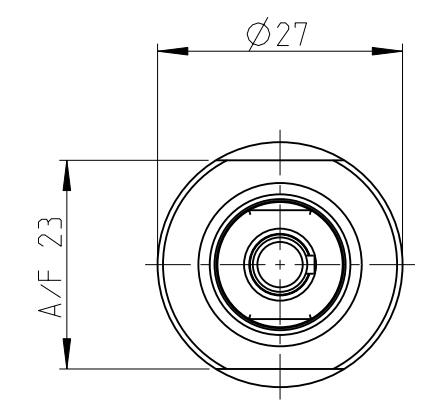
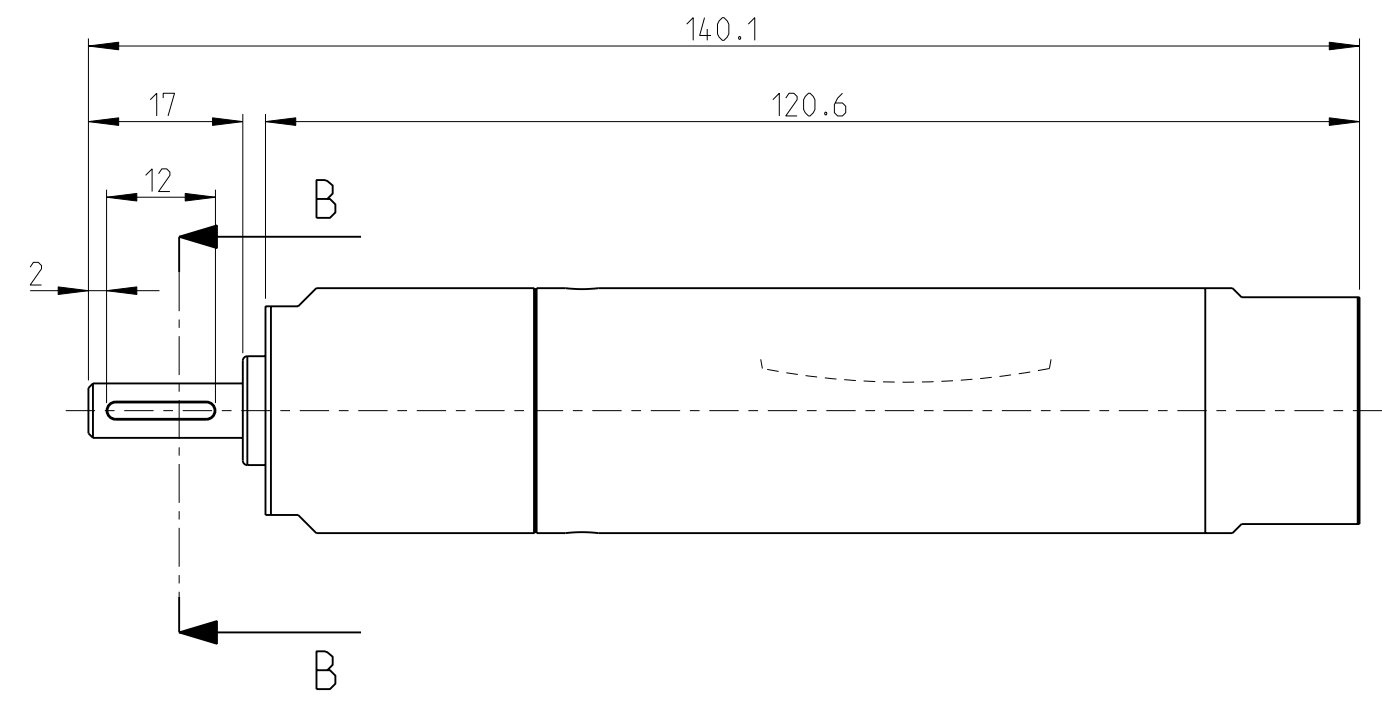
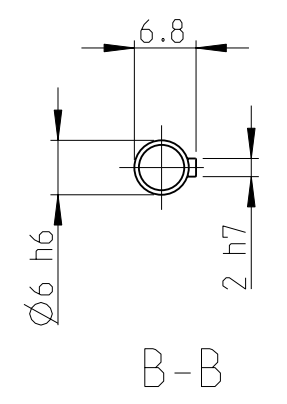
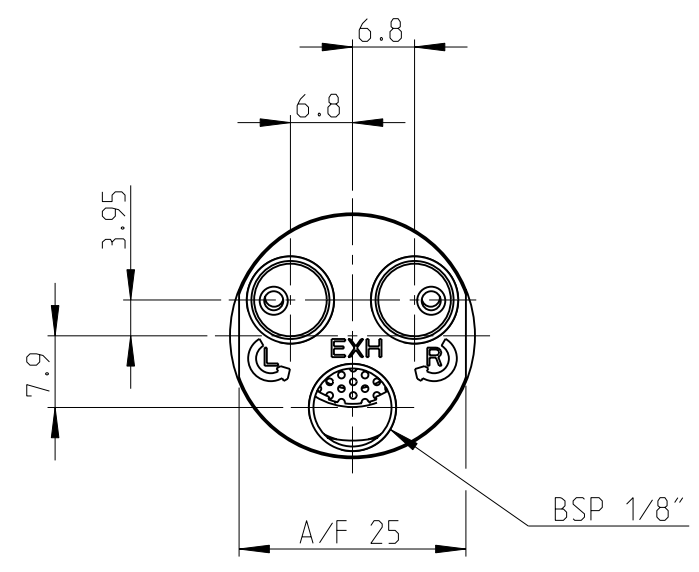


Model name LZB14_L_AR_2_11 Rev.Ver 0.4
 Drawing name LZB14_L_AR_2_11 Rev.Ver 0.6

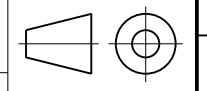


MOTOR NAME	Ordering No.
LZB14-L-AR008-11	8411 0115 32
LZB14-L-AR005-11	8411 0115 40

This document is our property and shall not without our permission be altered, copied, used for manufacturing or communicated to any other person or company.

Note	Pos.	Modified from	Date	Intr.
0	-	-	-	-

Tolerances, if not indicated, according to:		-	-	-	-	-
AC-STD		-	-	-	-	-
Name VANE MOTOR LZB14-L-ARXXX-11			LZB14-L-AR		Secrecy class	
Material LUBRICATION FREE			1102 K/-		CAD Pro/E	
Scale 6:5		Format A3	Family -	Compare -	Drawing owner	
Drawn F GRINELL		Blank -	Replaces -	TOO		
Transferred from -		Cons.class 1295 K/-	Rev 0	Status Design	Designation	
Mass/Volume -		Date 2013-04-11		LZB14_L_AR_2_11		



Sheet 1 (1)