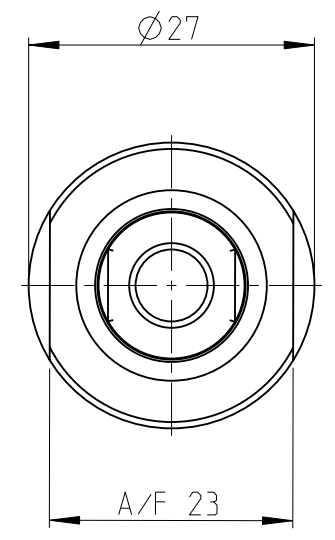
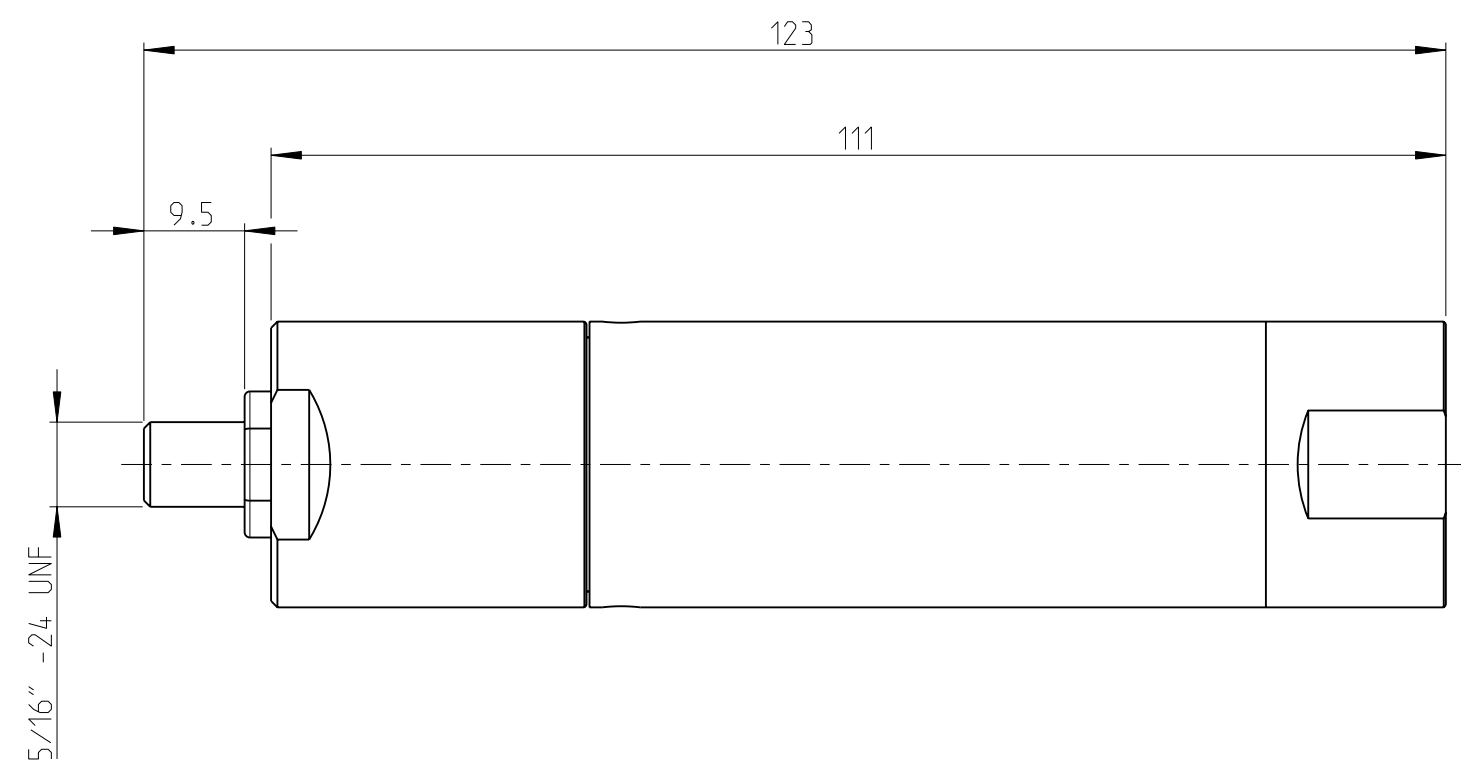
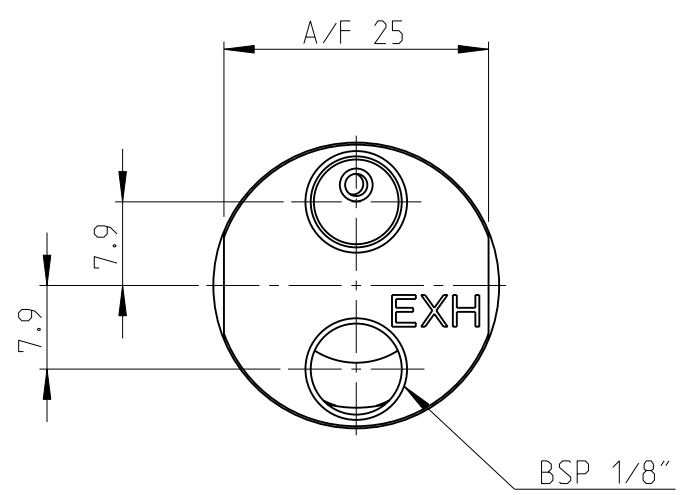


Model name LZB14\_A\_1\_12 Rev. Ver. 0.6  
 Drawing name LZB14\_A\_1\_12 Rev. Ver. 0.6



MOTOR NAME	Ordering No.
LZB14-L-A190-12	8411 0114 09
LZB14-L-A048-12	8411 0114 17
LZB14-L-A029-12	8411 0114 25

Tolerances, if not indicated, according to:		-	-	-	-	-
AC-STD		-	-	-	-	-
Name	VANE MOTOR LZB14-L-AXXX-12			LZB14-L-A	Secrecy class	
Material	LUBRICATION FREE			1102 K/-		
				CAD Pro/E		
	Scale	7:5	Format	A3	Family	-
	Drawn	F GRINELL		Blank	-	Compare
Transferred from	Cons.class	1295 K/-	Rev	0	Status	Design
	Mass/Volume	-	Date	2013-04-11		Replaces
					Designation	LZB14_A_1_12
					Drawing owner	T00
					Sheet 1 (1)	

Note	Pos.	Modified from	Date	Intr.
0	-	-	-	-

This document is our property and shall not without our permission be altered, copied, used for manufacturing or communicated to any other person or company.