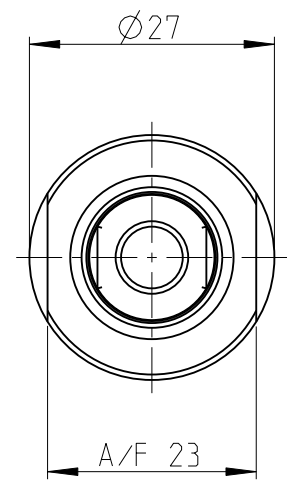
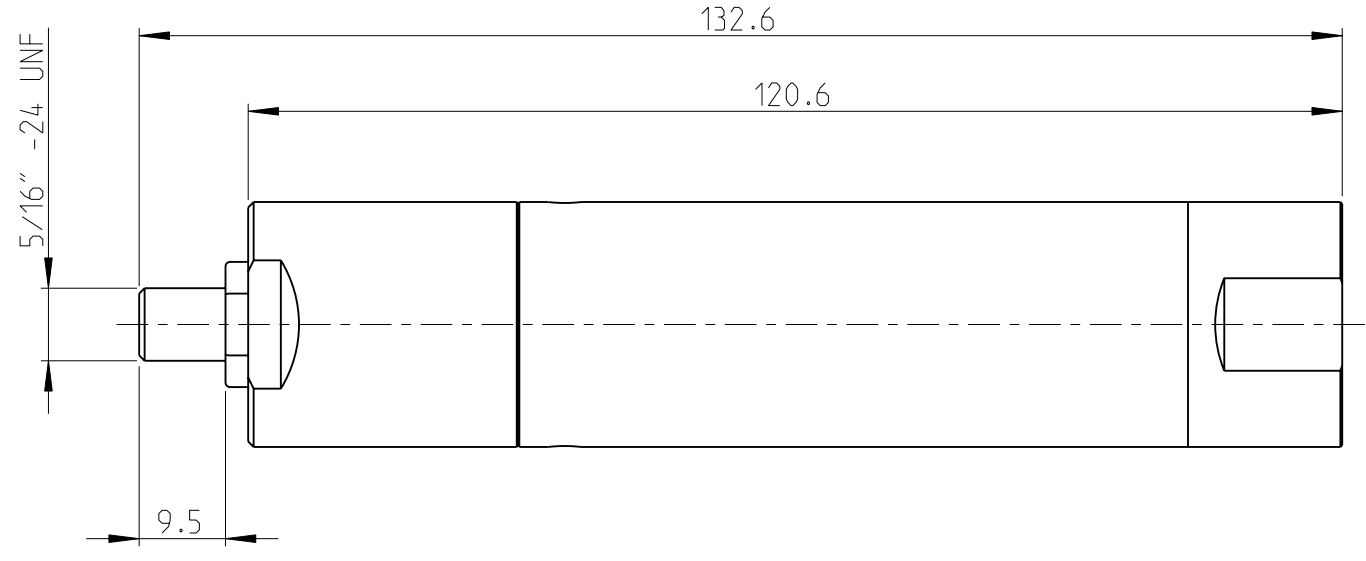
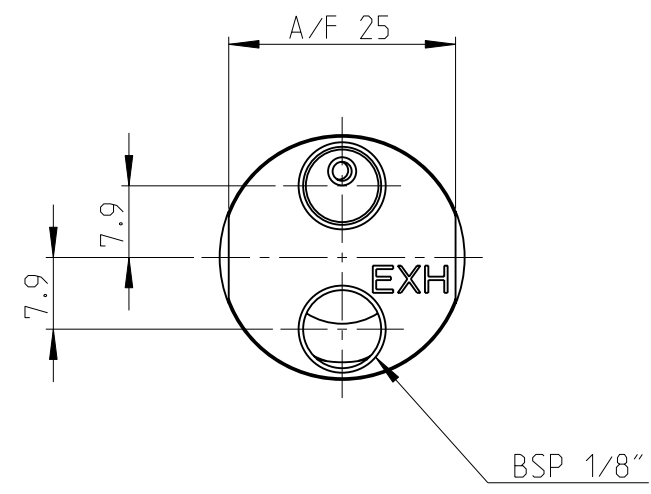


Model name LZB14_A_2_12 Rev.Ver 0.5
 Drawing name LZB14_A_2_12 Rev.Ver 0.9



MOTOR NAME	Ordering No.
LZB14-L-A012-12	8411 0114 33
LZB14-L-A007-12	8411 0114 41

Tolerances, if not indicated, according to:		-	-	-	-	-	
AC-STD		-	-	-	-	-	
Name VANE MOTOR LZB14-L-AXXX-12					LZB14-L-A		
Material LUBRICATION FREE					1102 K/-		
-					CAD Pro/E		
Scale 6:5		Format A3		Family -		Compare -	
Drawn F GRINELL		Blank -		Replaces -		Drawing owner	
Transferred from -		Cons.class 1295 K/-		Rev 0		Status Design	
Mass/Volume -		Date 2013-04-11		Designation		Sheet 1 (1)	
				LZB14_A_2_12		T00	

Note	Pos.	Modified from	Date	Intr.
0	-	-	-	-

This document is our property and shall not without our permission be altered, copied, used for manufacturing or communicated to any other person or company.