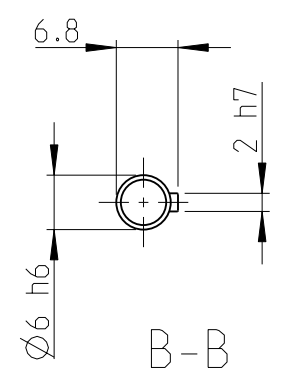
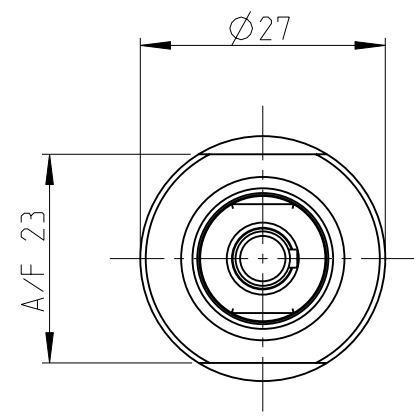
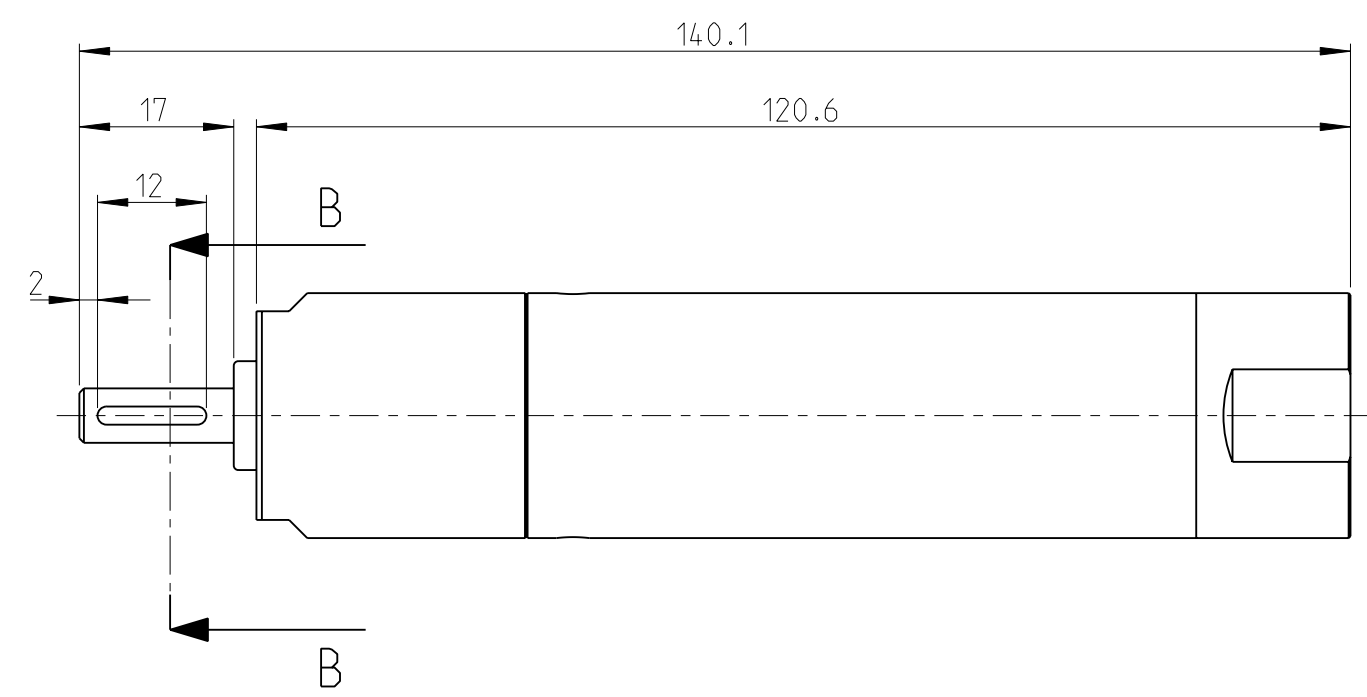
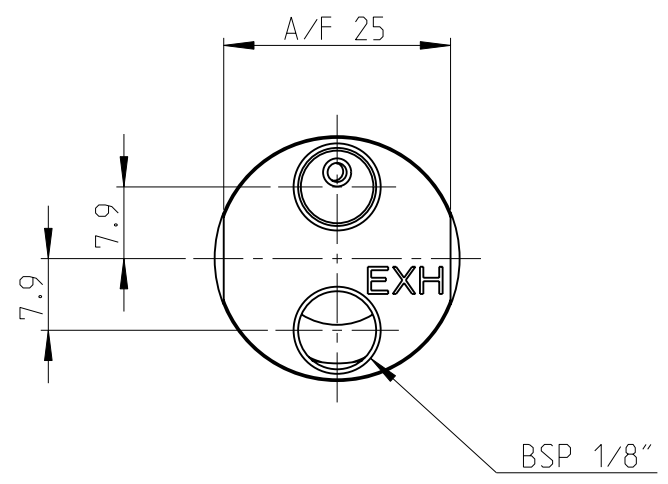


Model name LZB14_L_A_2_11 Rev.Ver 0.5
 Drawing name LZB14_L_A_2_11 Rev.Ver 0.6



MOTORNAME	Ordering No.
LZB14-L-A012-11	8411 0113 34
LZB14-L-A007-11	8411 0113 42

This document is our property and shall not without our permission be altered, copied, used for manufacturing or communicated to any other person or company.

Note	Pos.	Modified from	Date	Intr.
0	-	-	-	-

Tolerances, if not indicated, according to:		-	-	-	-	-
AC-STD		-	-	-	-	-
Name VANE MOTOR LZB14-L-AXXX-11			LZB14-L-A		Secrecy class	
Material LUBRICATION FREE			1102 K/-			
-			CAD Pro/E		Drawing owner	
		Scale 6:5	Format A3	Family -	Compare -	TOO
Drawn F GRINELL		Blank -		Replaces -		
Transferred from -		Cons.class 1295 K/-	Rev 0	Status Design	Designation LZB14_L_A_2_11	
Mass/Volume -		Date 2013-04-11		Sheet 1 (1)		