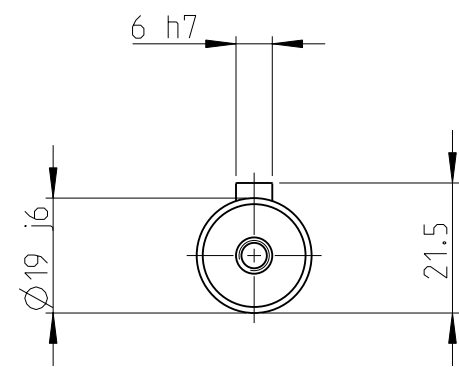
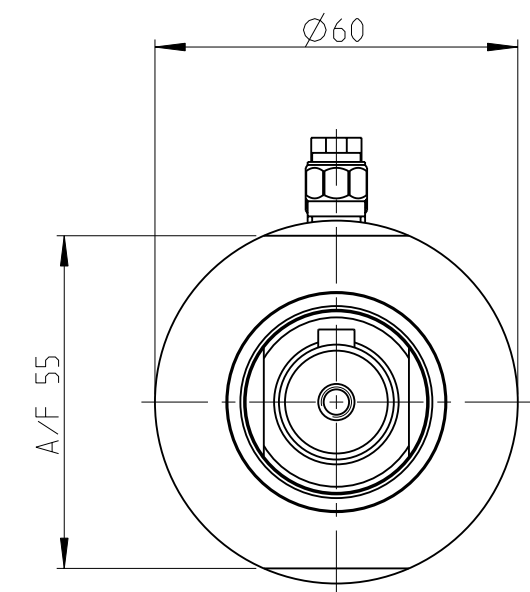
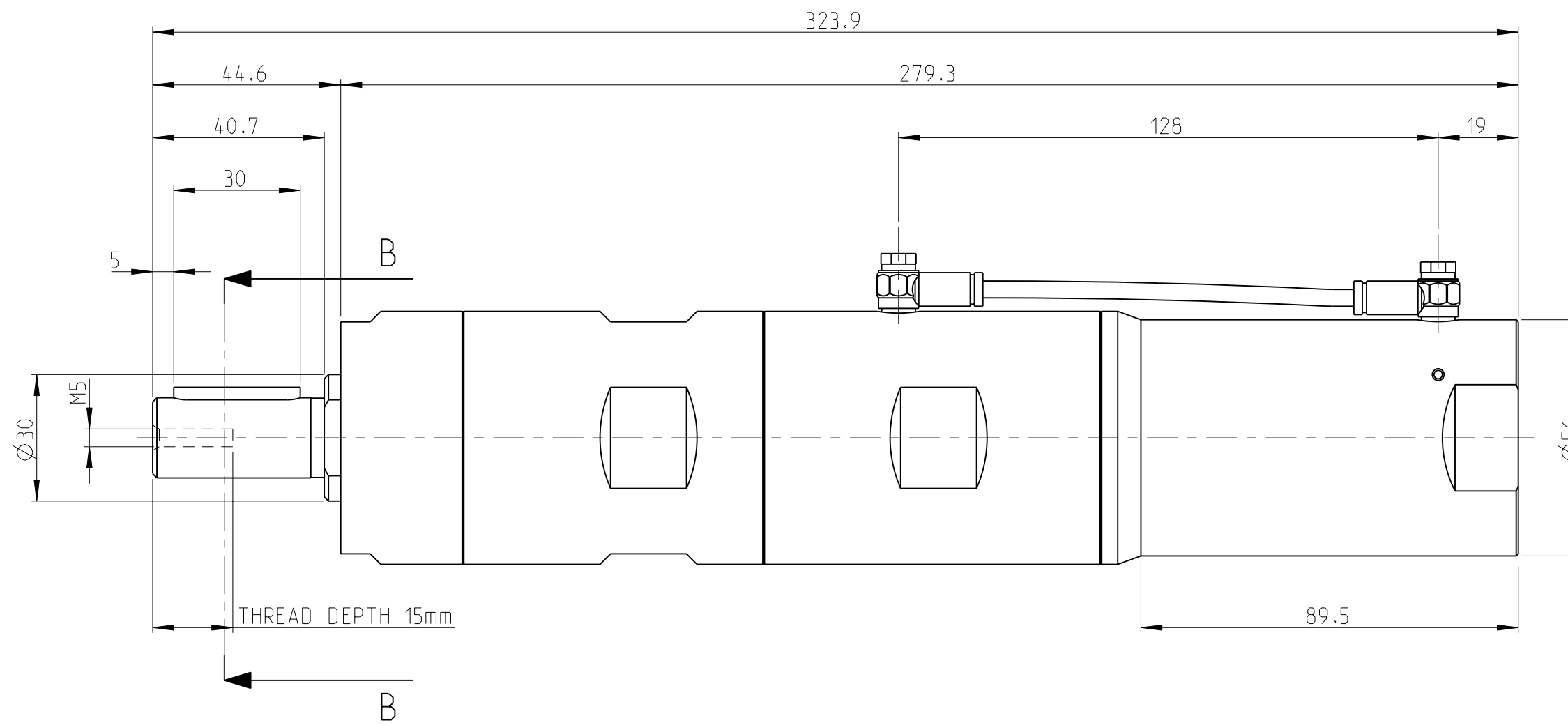
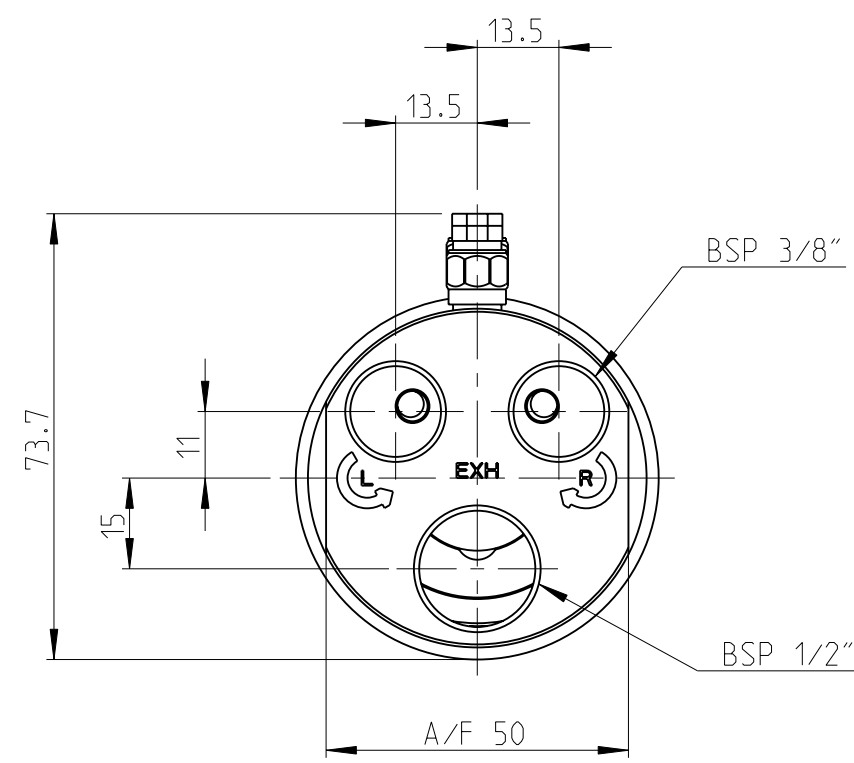


Model name LZB54_B_AR_1_11 Rev:0.0
 Drawing name LZB54_B_AR_1_11 Rev:0.0



B-B

MOTOR NAME	ORDERING NO.
LZB54-B-AR015-11	8411 0568 42

This document is our property and shall not without our permission be altered, copied, used for manufacturing or communicated to any other person or company.

Note	Pos.	Modified from	Date	Intr.
0	-	-	-	-

Tolerances, if not indicated, according to:		-	-	-	-	-
AC-STD		-	-	-	-	-
Name		VANE MOTOR LZB54-B-ARXXX-11			LZB54-B-AR	Secrecy class
Material		-			1102 K/-	
					CAO Pro/E	
Scale		4:5	Format	A2	Family	-
Drawn		F GRINELL		Blank	-	Replaces
Cons.class		1295 K/-	Rev	0	Status	Design
Transferred from		-		Date	2013-05-07	Designation
Mass/Volume		-		-		LZB54_B_AR_1_11

Sheet 1 (1)

T00

Drawing owner