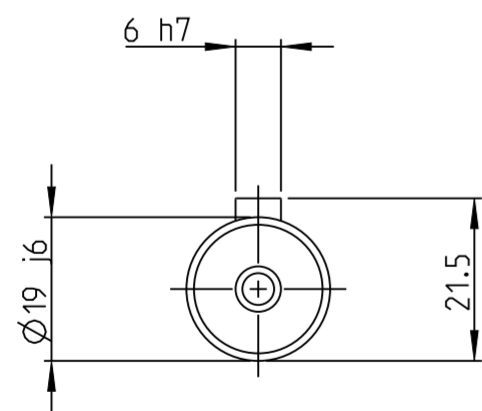
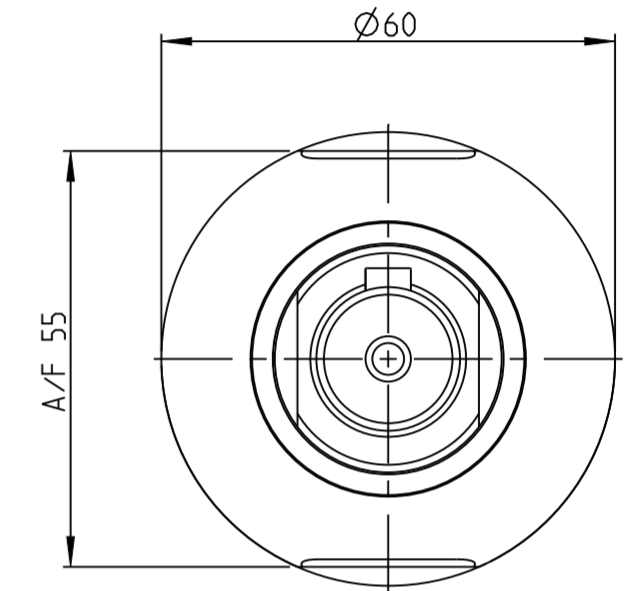
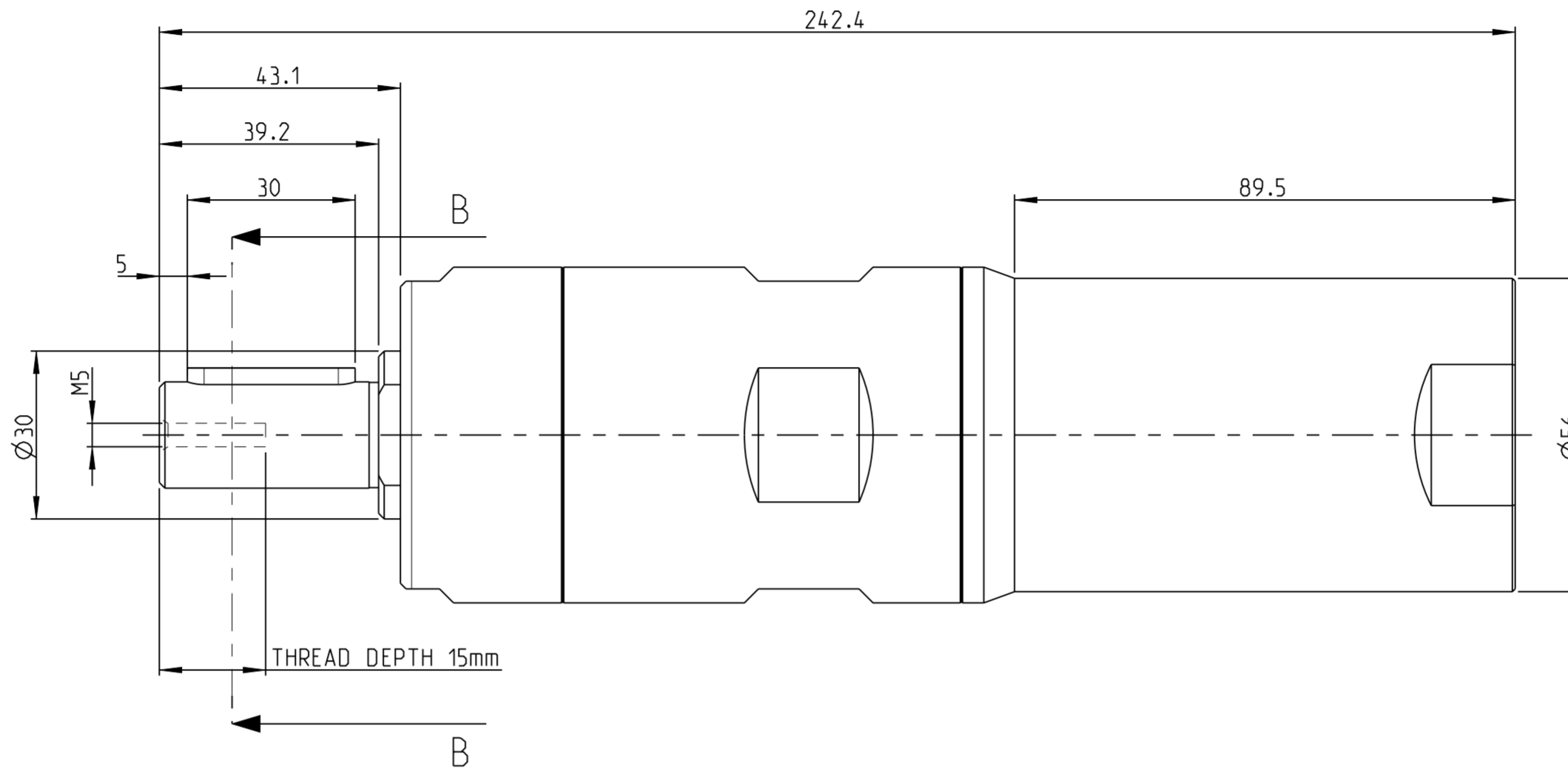
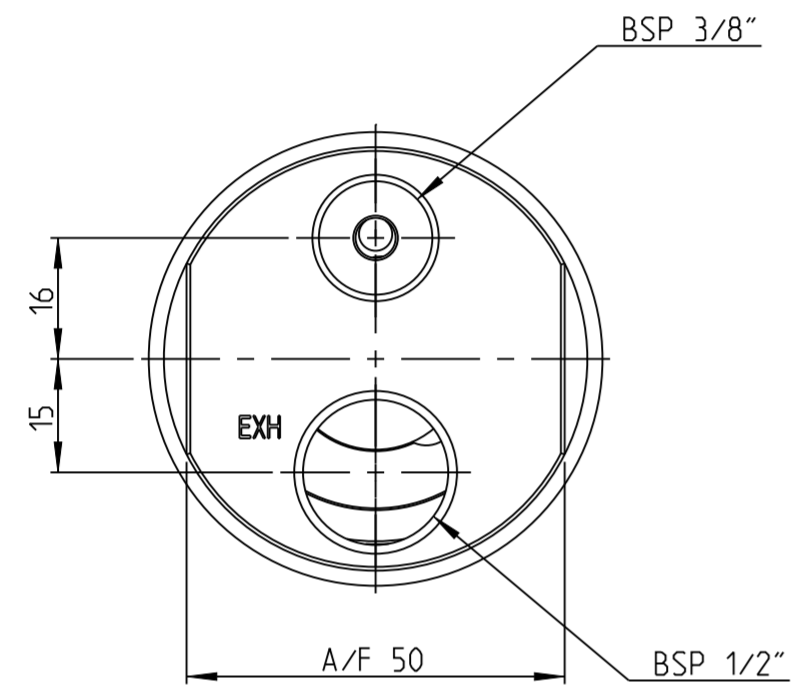


Model name	LZB54_AV_1_11	Rev. Ver	1,3
Drawing name	LZB54_AV_1_11	Rev. Ver	1,3



B-B

MOTOR NAME	ORDERING NO.
LZB54-L-AV180-11	8411 0564 04
LZB54-L-AV050-11	8411 0564 12
LZB54-L-AV030-11	8411 0564 20
LZB54-L-AV020-11	8411 0564 38

This document and its content is the intellectual property of Atlas Copco Industrial Technique AB. Any reuse, including but not limited to reproduction, distribution, publication, modification and copying without prior written authorization is strictly prohibited.

Note	Pos.	Modified from	Date	Intr.
1	-	-	-	-

Tolerances, if not indicated, according to:		-	-	-	-	-	-	
AC-STD		-	-	-	-	-	-	
Name		VANE MOTOR LZB54-L-AVXXX-11			LZB54-AV		Secrecy class	
Material		-			1102 K/-			
					CAD Pro/E			
Scale		1:1	Format	A2	Family	-	Compare	-
		Drawn		F GRINELL	Blank	-	Replaces	-
Transferred from		Cons.class	1295 K/-	Rev	1	Status	In Work	Designation
		Mass/Volume	-	Date	2013-05-06	LZB54_AV_1_11		Sheet 1 (1)
							Drawing owner	T00