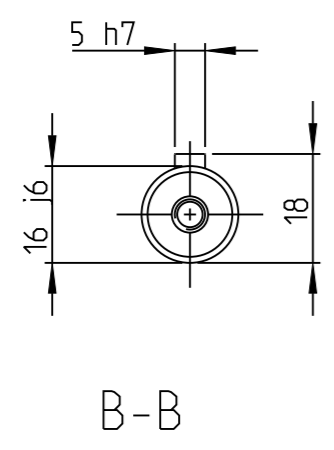
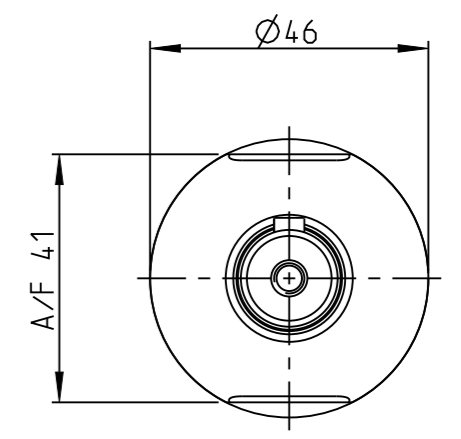
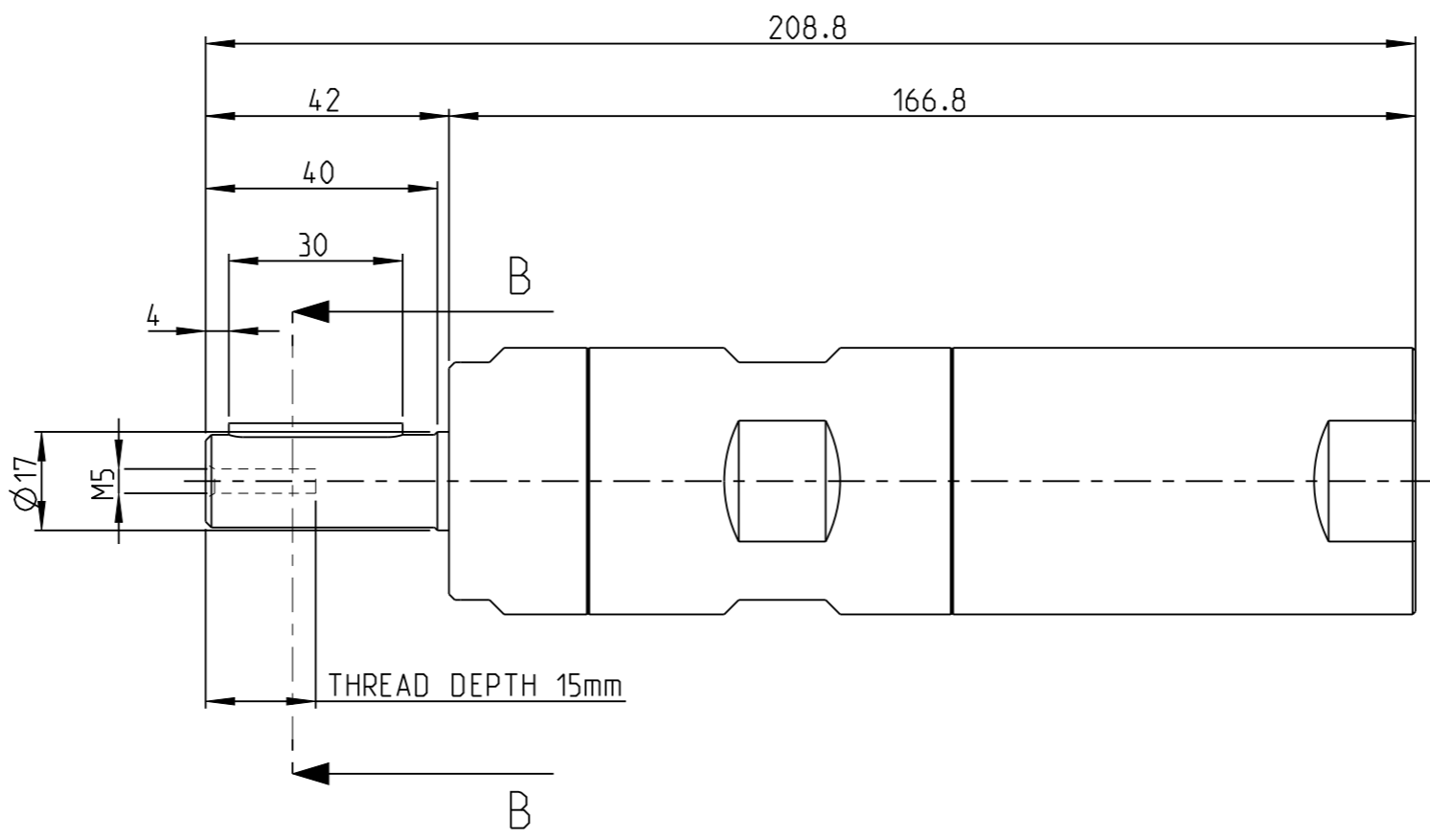
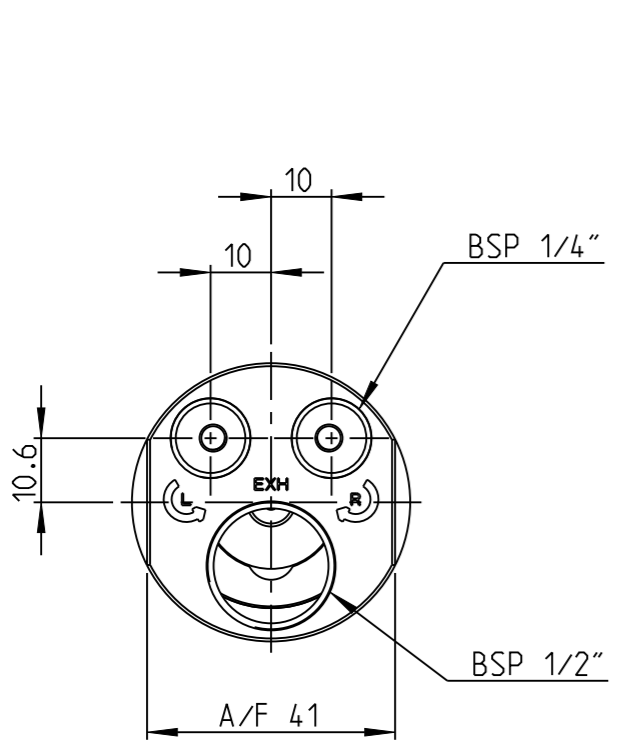


Model name	LZB42_AR_2_11	Rev.Ver	0.1
Drawing name	LZB42_AR_2_11	Rev.Ver	0.1



MOTOR NAME	ORDERING NO.
LZB42-L-AR010-11	8411 0423 47
LZB42-L-AR007-11	8411 0423 54
LZB42-L-AR004-11	8411 0423 62

This document and its content is the intellectual property of Atlas Copco Industrial Technique AB. Any use, including but not limited to reproduction, distribution, publication, modification and copying without prior written authorization is strictly prohibited.

Note	Pos.	Modified from	Date	Intr.
0	-	-	-	-

Tolerances, if not indicated, according to:		-	-	-	-	-
AC-STD		-	-	-	-	-
Name VANE MOTOR LZB42-L-ARXXX-11					LZB42-AR	
Material -					1102 K/-	
					CAD Pro/E	
Scale 4:5		Format A3	Family -	Compare -		Drawing owner <b>TOO</b>
Drawn F GRINELL		Blank -		Replaces -		
Transferred from -		Cons.class 1295 K/-	Rev 0	Status In Work	Designation LZB42_AR_2_11	
		Mass/Volume -	Date 2013-05-02	Sheet 1 (1)		