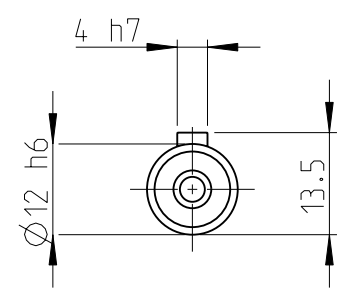
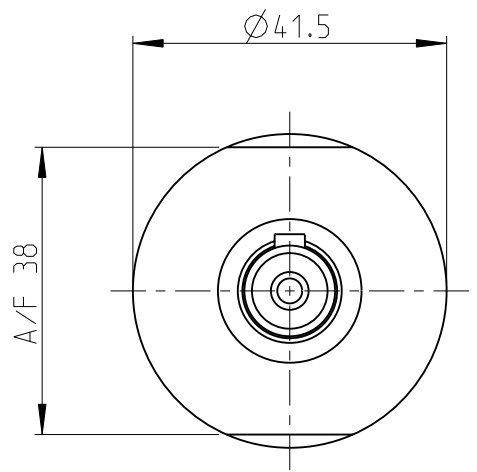
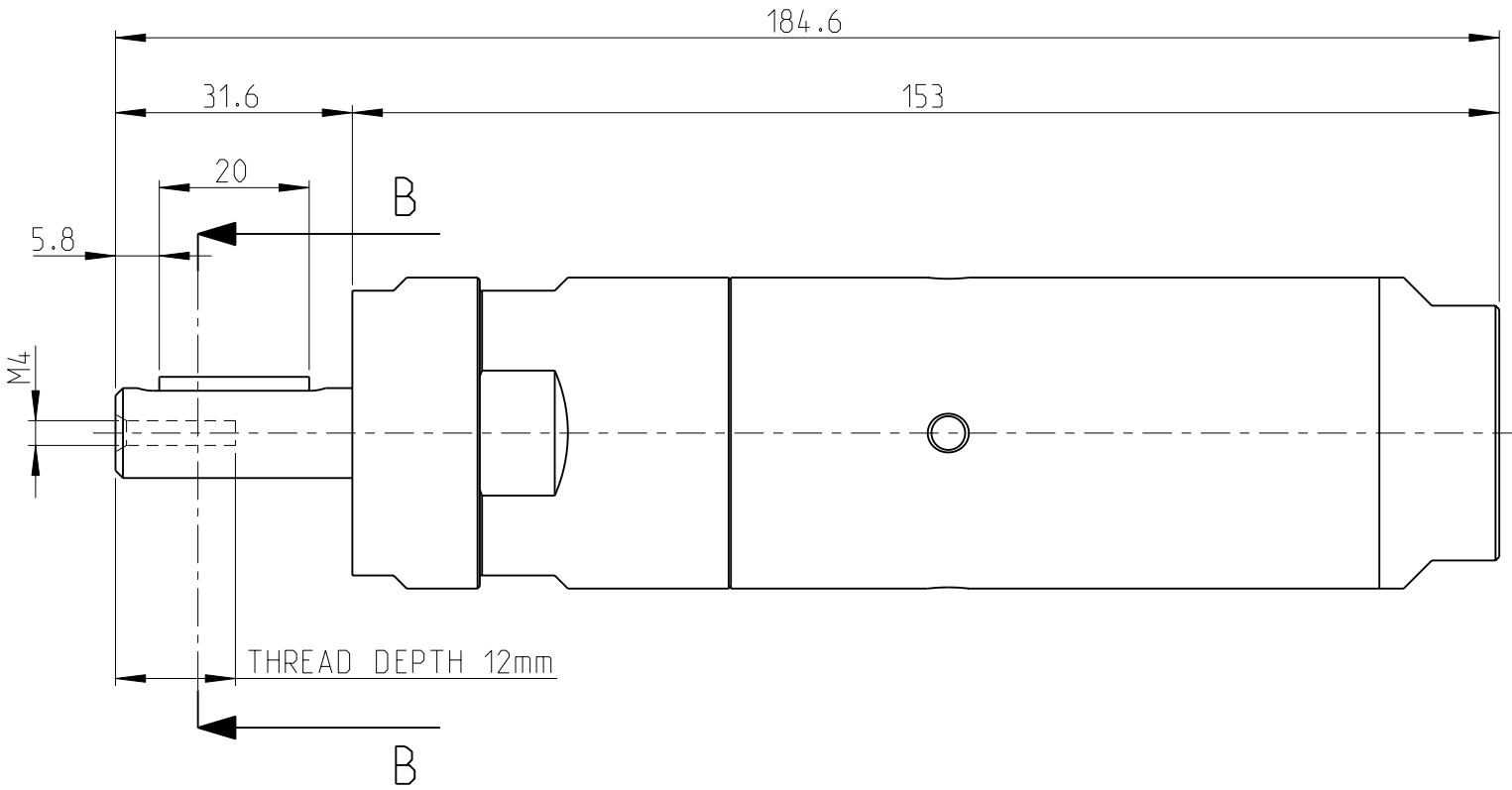
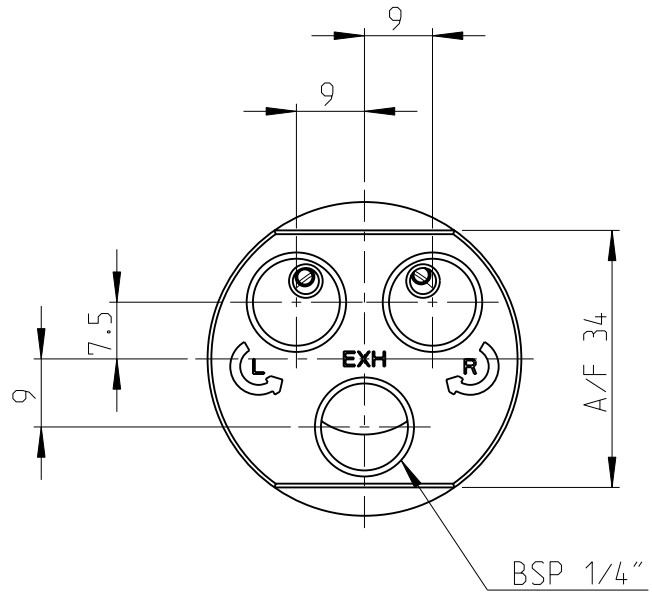


Model name LZB33-L-AR-2-11 Rev.Ver 0.3
 Drawing name LZB33-L-AR-2-11 Rev.Ver 0.3

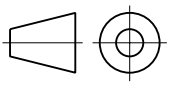



MOTOR NAME	ORDERING NO.
LZB33-L-AR009-11	8411 0308 05
LZB33-L-AR005-11	8411 0308 13
LZB33-L-AR004-11	8411 0308 21

B-B

This document is our property and shall not without our permission be altered, copied, used for manufacturing or communicated to any other person or company.

Note	Pos.	Modified from	Date	Intr.
0	-	-	-	-

Tolerances, if not indicated, according to:		-	-	-	-	-
AC-STD		-	-	-	-	-
Name VANE MOTOR LZB33-L-ARXXX-11				LZB33-L-AR		Secrecy class
Material LUBRICATION FREE				1102 K/-		
-				CAD Pro/E		
	Scale	1:1	Format	A3	Family	-
	Drawn	F GRINELL		Blank	-	
Transferred from	Cons.class	1295 K/-	Rev	0	Status	Design
	Mass/Volume	-		Date	2013-04-19	Designation
					Drawing owner T00	
					Sheet 1 (1) LZB33-L-AR-2-11	