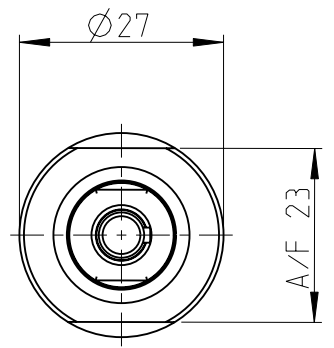
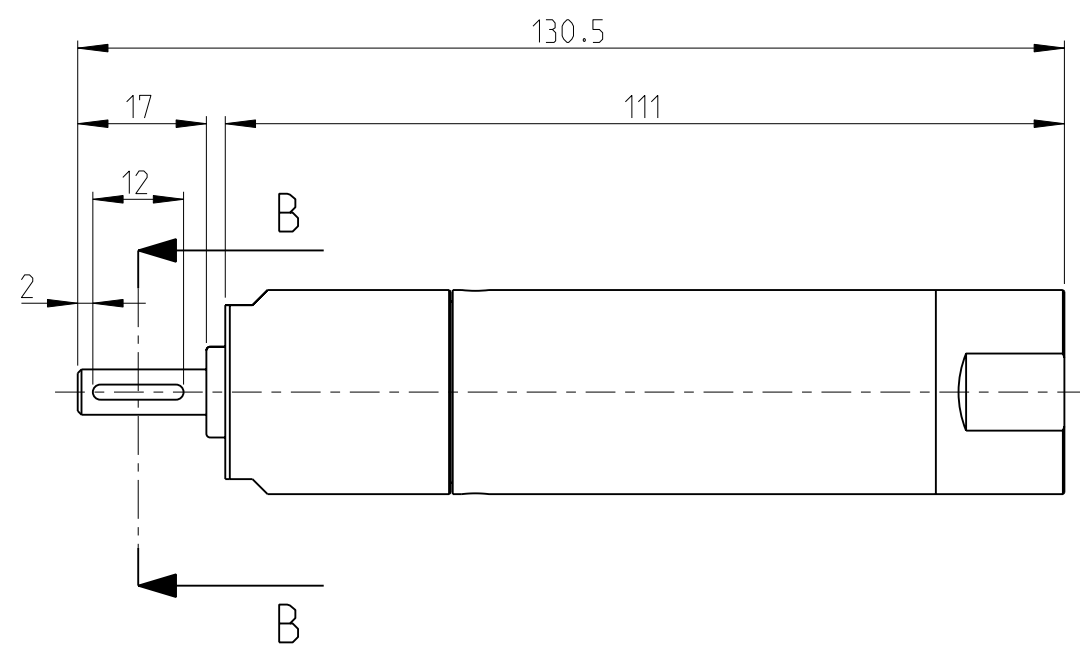
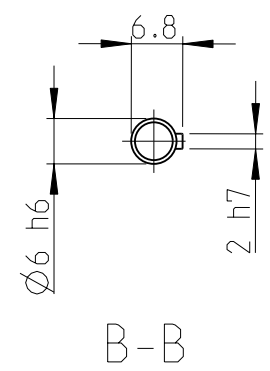
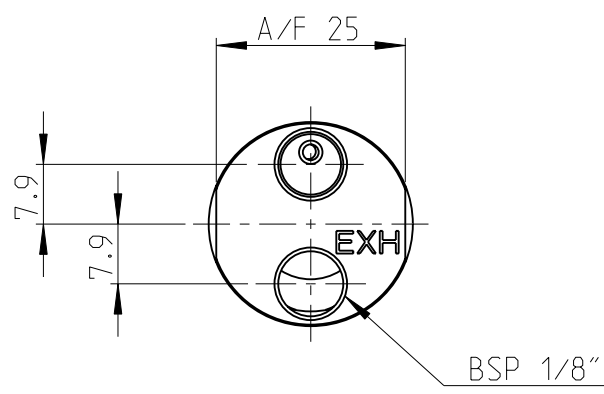


Model name LZB14_A_1_11 Rev.Ver 0.5
 Drawing name LZB14_A_1_11 Rev.Ver 0.5



MOTOR NAME	Ordering No.
LZB14-L-A190-11	8411 0113 00
LZB14-L-A048-11	8411 0113 18
LZB14-L-A029-11	8411 0113 26

This document is our property and shall not without our permission be altered, copied, used for manufacturing or communicated to any other person or company.

Note	Pos.	Modified from	Date	Intr.
0	-	-	-	-

Tolerances, if not indicated, according to:		-	-	-	-	-
AC-STD		-	-	-	-	-
Name VANE MOTOR LZB14-L-AXXX-11				LZB14-L-A		Secrecy class
Material LUBRICATION FREE				1102 K/-		
				CAD Pro/E		
	Scale	1:1	Format	A3	Family	-
	Drawn	F GRINELL		Blank	-	
Transferred from	Cons.class	1295 K/-	Rev	0	Status	Design
	Mass/Volume	-		Date	2013-04-10	
				Designation		LZB14_A_1_11
				Sheet 1 (1)		
				Drawing owner		T00