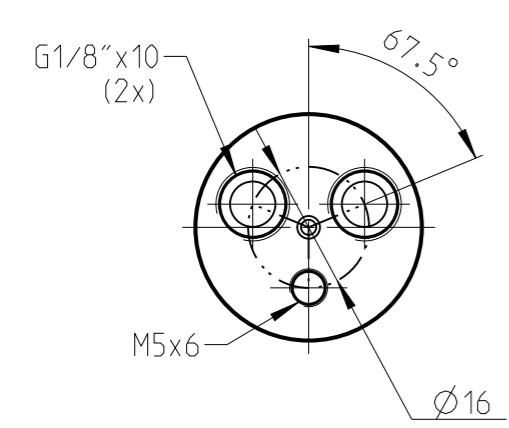
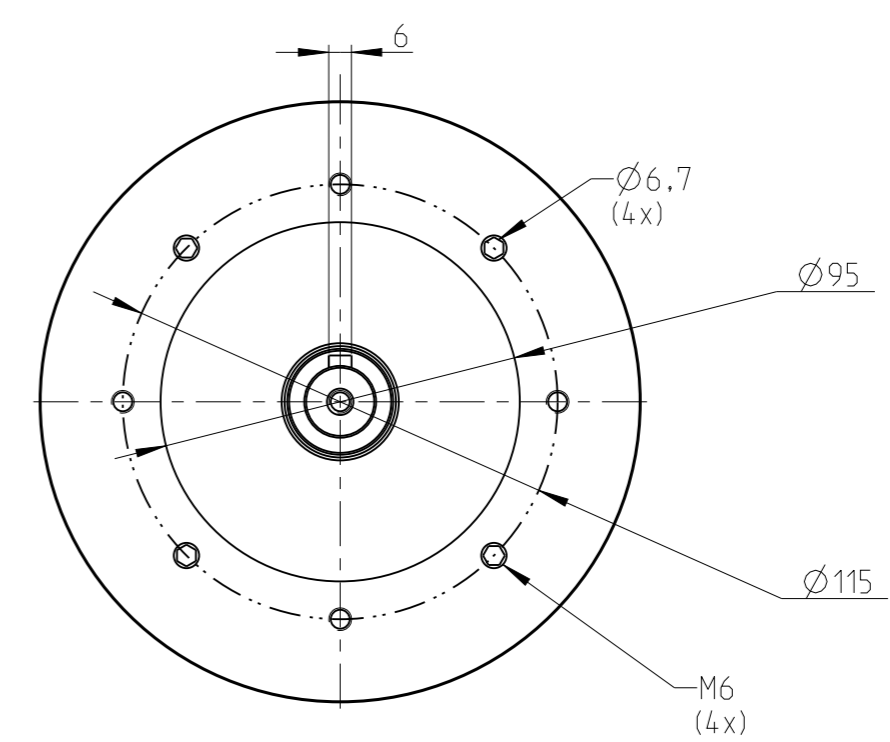
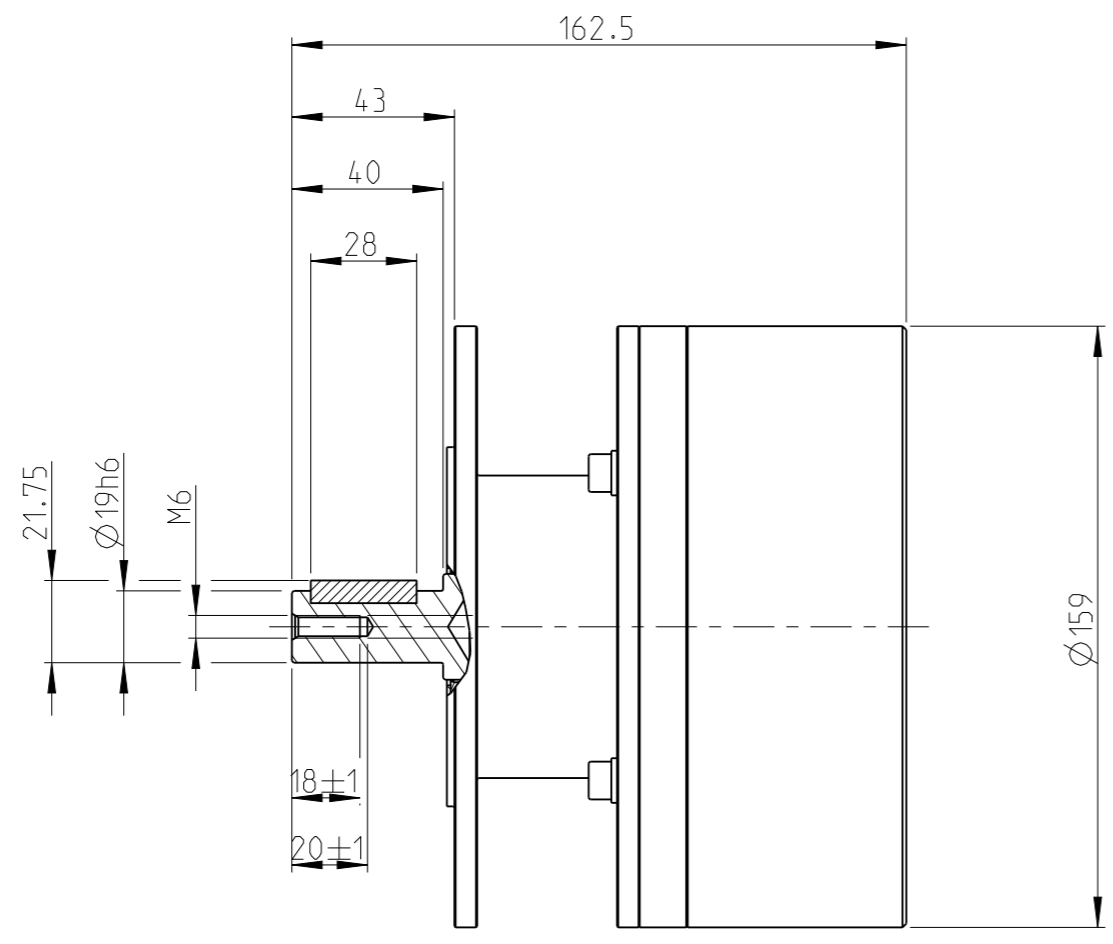


Model name 8411421034 Rev.Ver 0.1  
 Drawing name 8411421034 Rev.Ver 0.2



This document is our property and shall not without our permission be altered, copied, used for manufacturing or communicated to any other person or company.

Note	Pos.	Modified from	Date	Intr.
0	-	-	-	-

Tolerances, if not indicated, according to:		Machined surfaces	-	-	-	-
AC-STD		1350 k-mK	-	-	-	-
Name		PZB21-LE-AR300-11		PZB	Secrecy class	
Material		Bearing flange		1102 K/-	CAD Pro/E	
Scale		1:2	Format	A3	Family	-
Drawn		TOOPHO	Blank	-	Compare	8411 4210 00
Transferred from		Cons.class	1295 K/-	Rev	0	Status
-		Mass/Volume	-	Date	2019-02-20	Released
-		Designation		8411 4210 34		Drawing owner
-		-		-		T00
-		-		-		Sheet 2 (2)