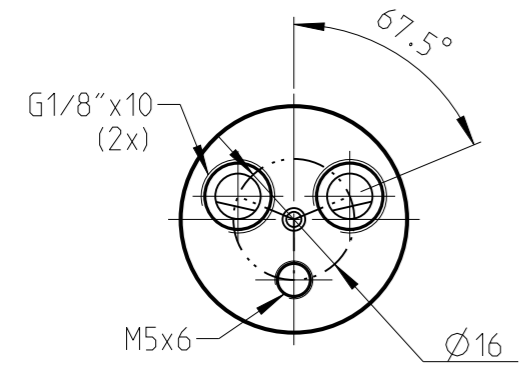
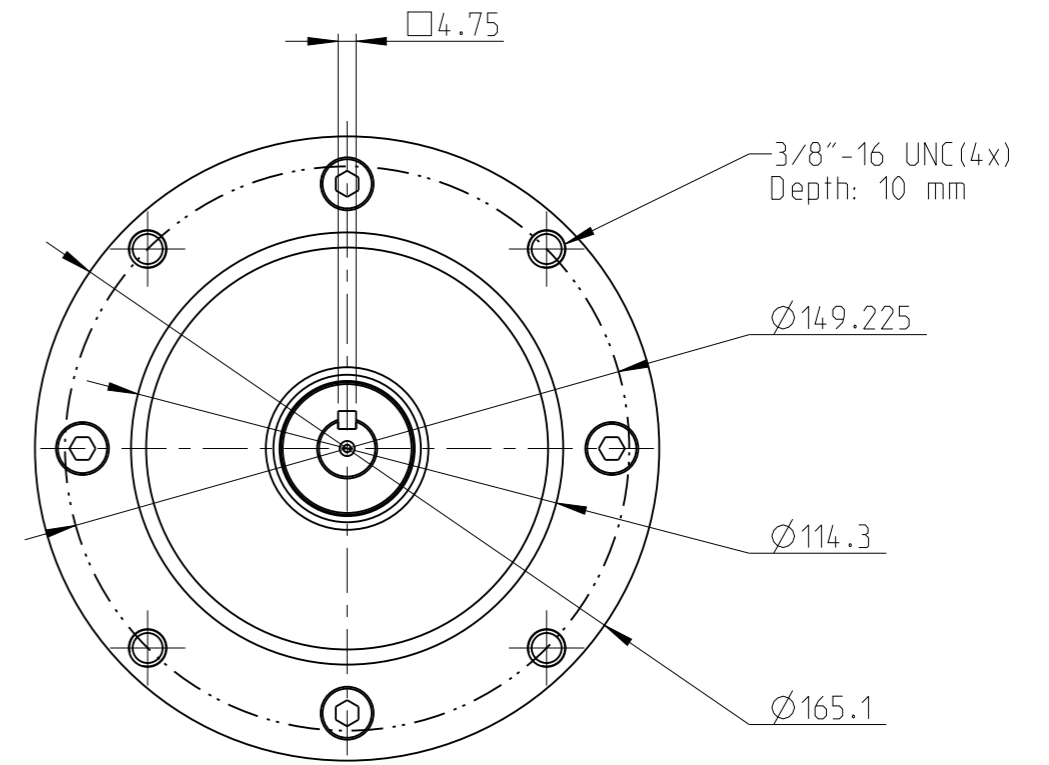
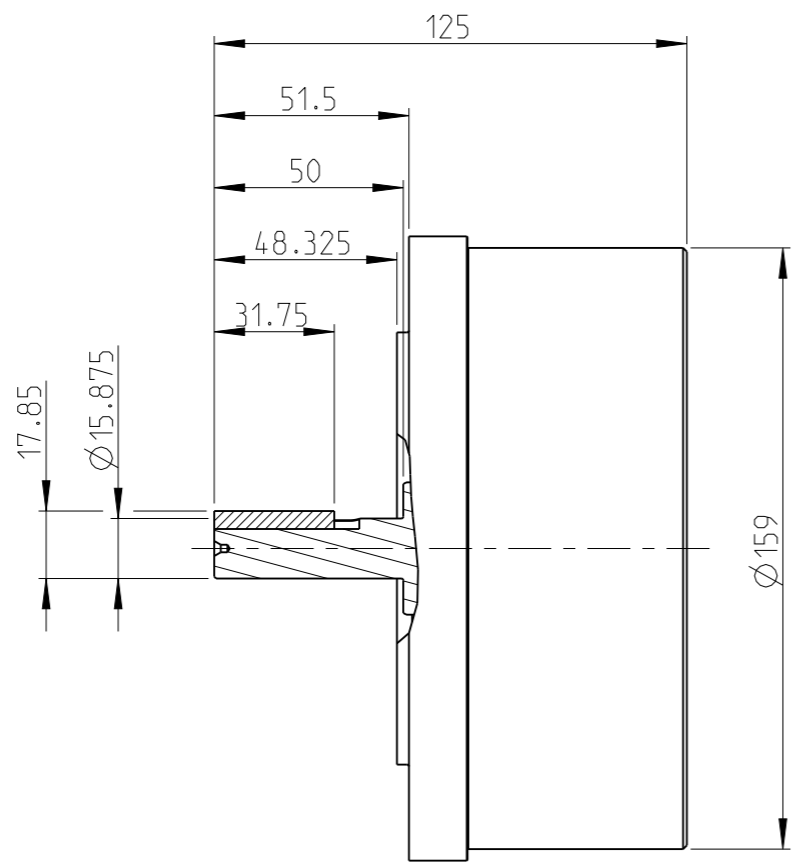


Model name 8411421026 Rev.Ver 0.11  
 Drawing name 8411421026 Rev.Ver 0.4



This document is our property and shall not without our permission be altered, copied, used for manufacturing or communicated to any other person or company.

Note	Pos.	Modified from	Date	Intr.
0	-	-	-	-

Tolerances, if not indicated, according to:		Machined surfaces	-	-	-	-		
AC-STD		1350 k-mK	-	-	-	-		
Name		PZB21-L-AR300-21		PZB	Secrecy class			
Material		-		1102 K/-				
				CAD Pro/E				
Scale		1:2	Format	A3	Family	-		
		Drawn	TOOPHO		Blank	-		
Transferred from		Cons.class	1295 K/-	Rev	0	Status	Released	
		Mass/Volume	-		Date	2018-12-11	Designation	8411 04210 26
						Drawing owner	T00	
						Sheet 2 (2)		