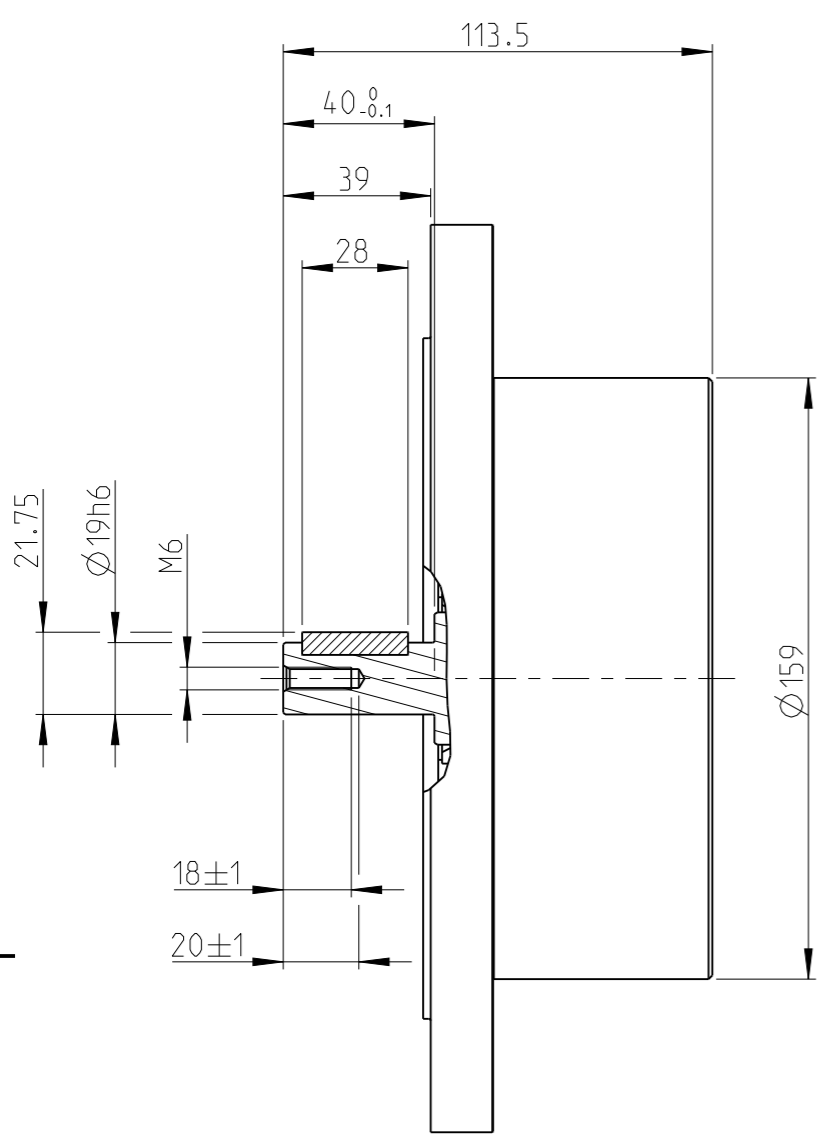
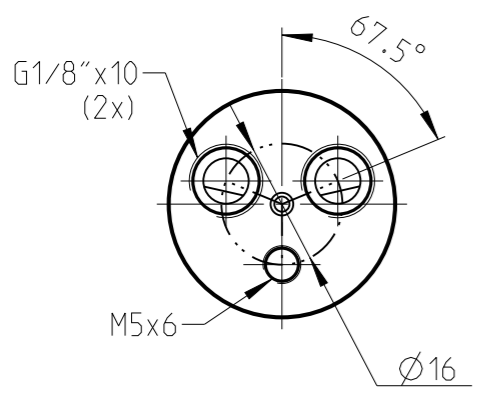
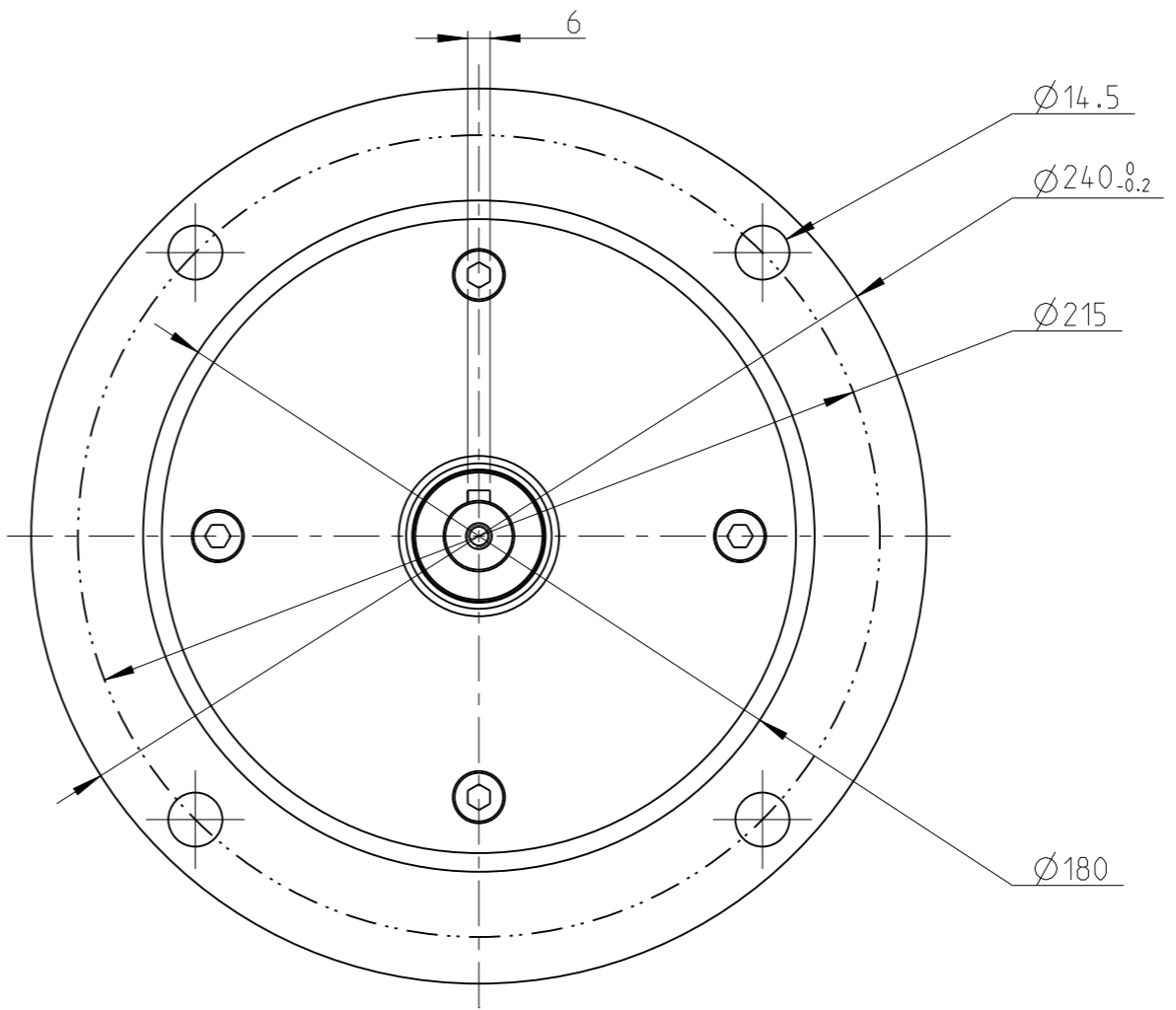


Model name 8411421018 Rev.Ver 0.9
 Drawing name 8411421018 Rev.Ver 0.6



B-B



1:1

This document is our property and shall not without our permission be altered, copied, used for manufacturing or communicated to any other person or company.

Note	Pos.	Modified from	Date	Intr.
0	-	-	-	-

Tolerances, if not indicated, according to:		-	-	-	-	-
AC-STD		-	-	-	-	-
Name PZB21-L-AR300-20					Secrecy class -	
Material -					1102 K/-	
					CAD Pro/E	
Scale 1:2		Format A3	Family -	Compare -	Drawing owner	
Atlas Copco		Drawn TOOPHO	Blank -	Replaces -	T00	
Transferred from -		Cons.class 1295 K/-	Rev 0	Status Released	Designation 8411 4210 18	
		Mass/Volume -	Date 2017-10-02	Sheet 2 (2)		