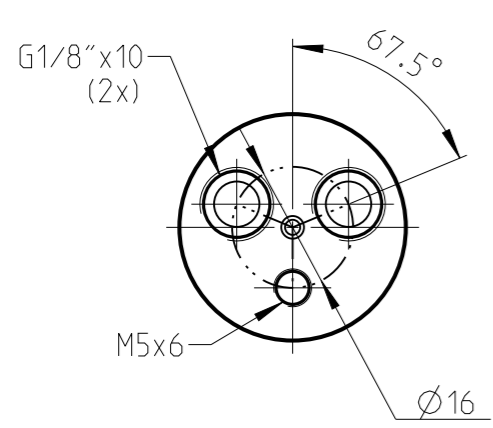
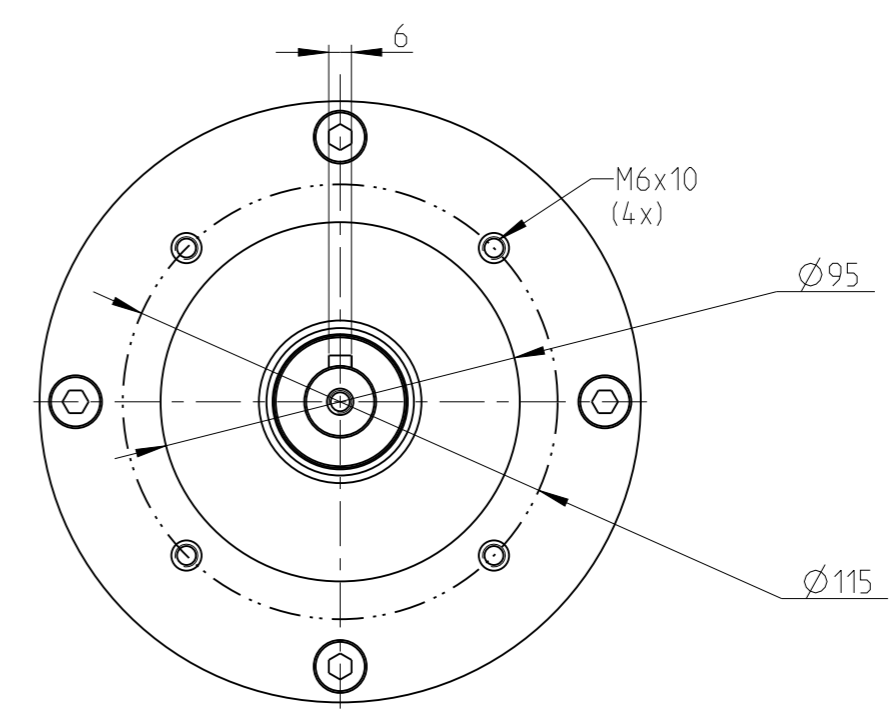
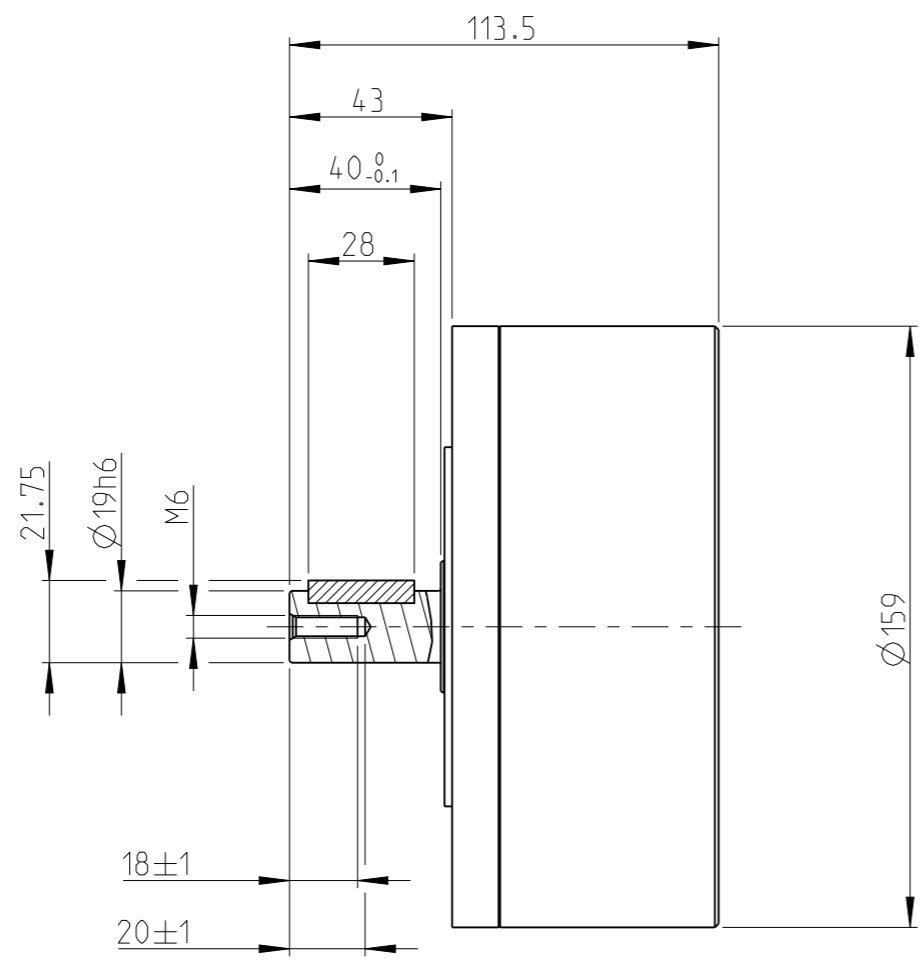


Model name 8411421000 Rev.Ver 0.16
 Drawing name 8411421000 Rev.Ver 0.6



This document is our property and shall not without our permission be altered, copied, used for manufacturing or communicated to any other person or company.

Note	Pos.	Modified from	Date	Intr.
0	-	-	-	-

Tolerances, if not indicated, according to:		Machined surfaces	-	-	-	-
AC-STD		1350 k-mK	-	-	-	-
Name PZB21-L-AR300-11					PZB	Secrecy class
Material -					1102 K/-	
					CAD Pro/E	
Scale 1:2		Format A3	Family -	Compare 8411 4090 00	Drawing owner	
		Drawn TOOPHO	Blank -	Replaces -	TOO	
Transferred from -		Cons.class 1295 K/-	Rev 0	Status Released	Designation 8411 4210 00	
		Mass/Volume -	Date 2018-11-23	Sheet 2 (2)		