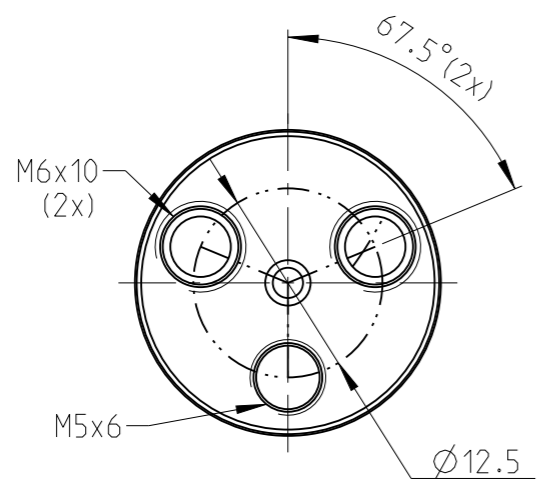
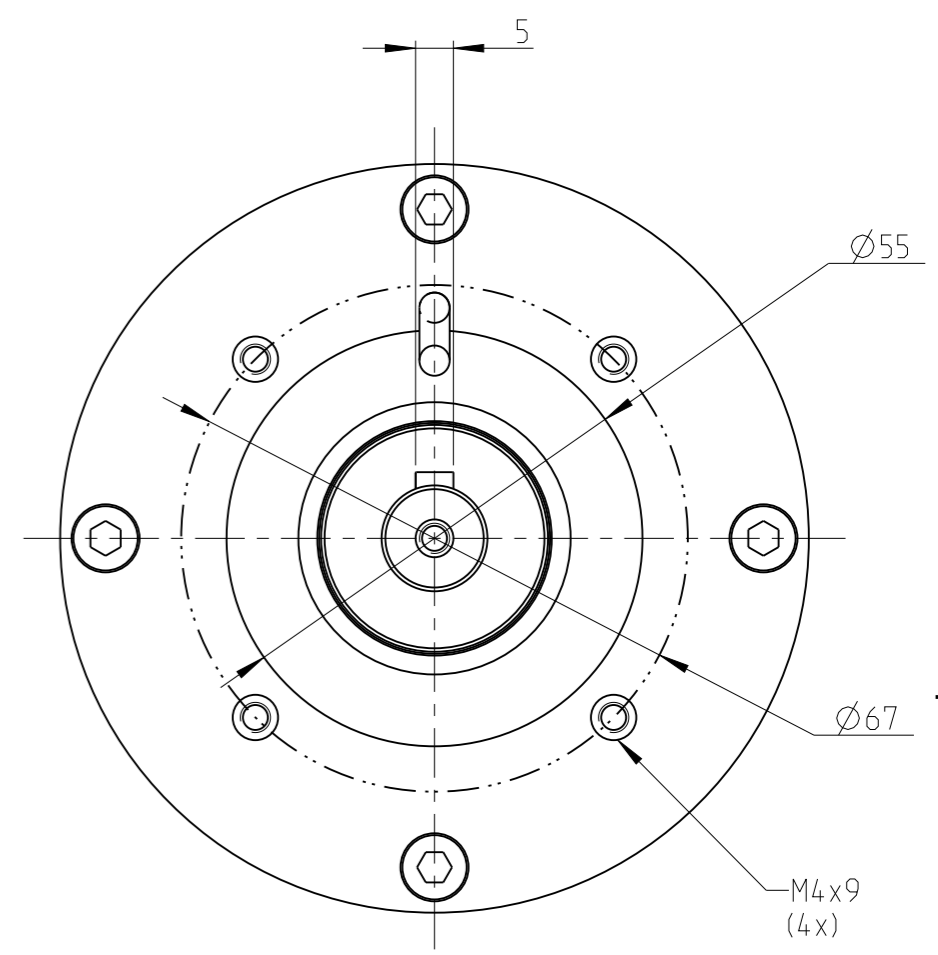
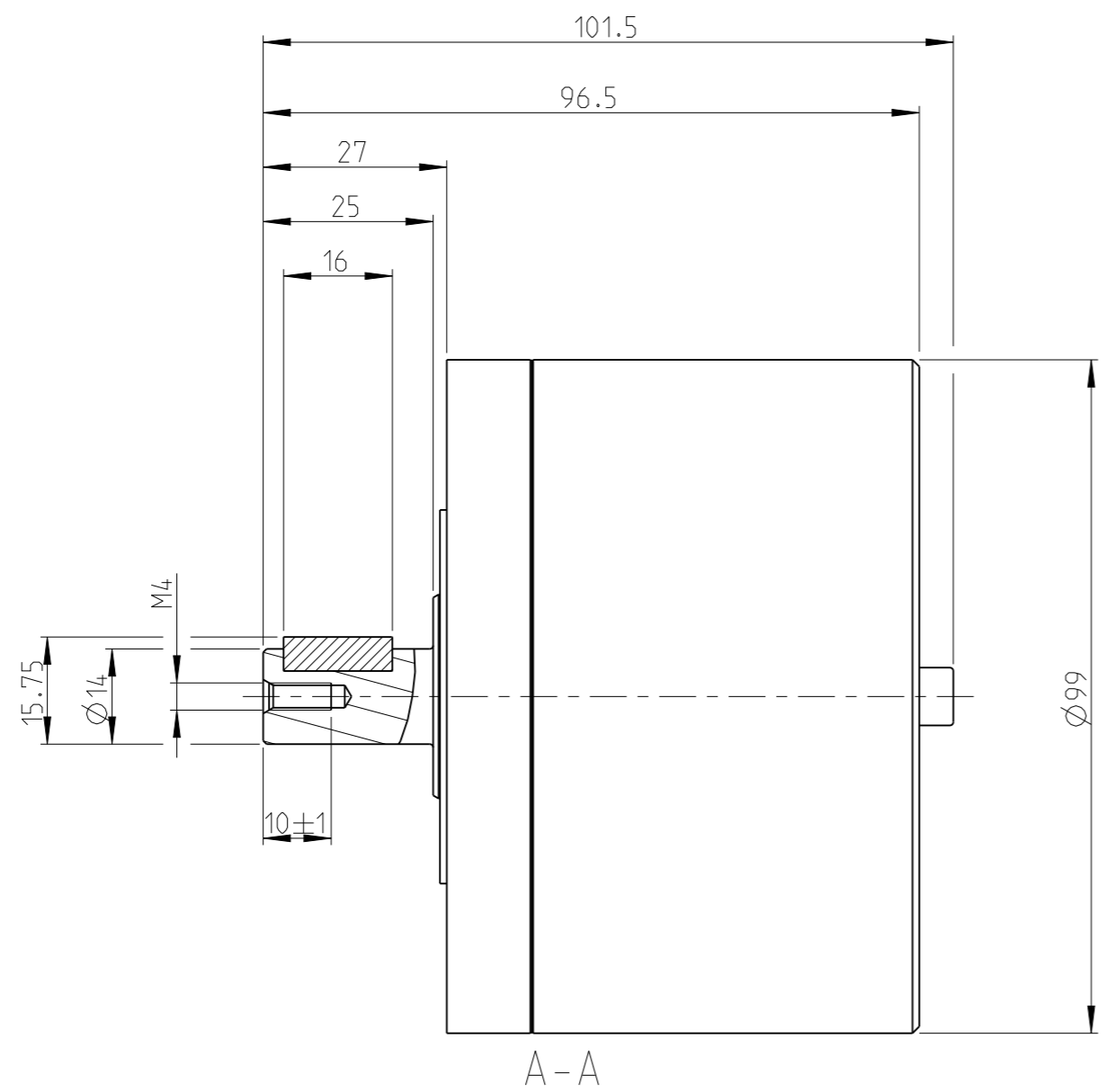


Model name	8411415091	Rev.Ver	0.6
Drawing name	8411415091	Rev.Ver	0.5



This document and its content is the intellectual property of Atlas Copco Industrial Technique AB. Any use, including but not limited to reproduction, distribution, modification and copying without prior written authorization is strictly prohibited.

Note	Pos.	Modified from	Date	Intr.
0	-	-	-	-

Tolerances, if not indicated, according to:		Machined surfaces	-	-	-	-					
AC-STD		1350 K-mK	-	-	-	-					
Name		PZB15-RL-AR500-11		PZB15	Secrecy class						
Material		Stainless steel		1102 K/-							
				CAD Pro/E							
		Scale	1:1	Format	A3	Family	-	Compare	8411 4150 00	Drawing owner	T00
Transferred from		Drawn	T00PHO	Blank	-	Replaces	-	-			
		Cons.class	1295 K/-	Rev	0	Status	In Work	Designation		Sheet 2 (2)	
		Mass/Volume	-	Date	2021-10-01	8411 4150 91					