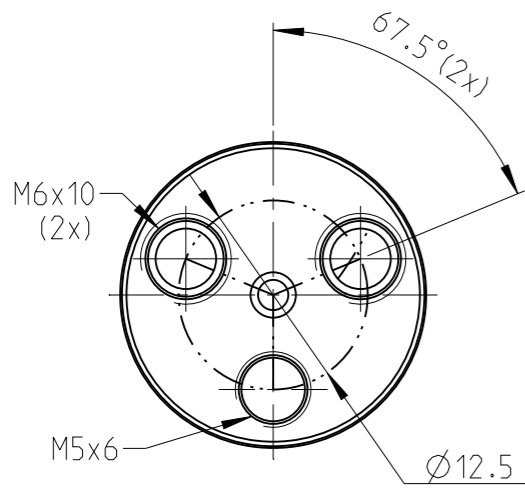
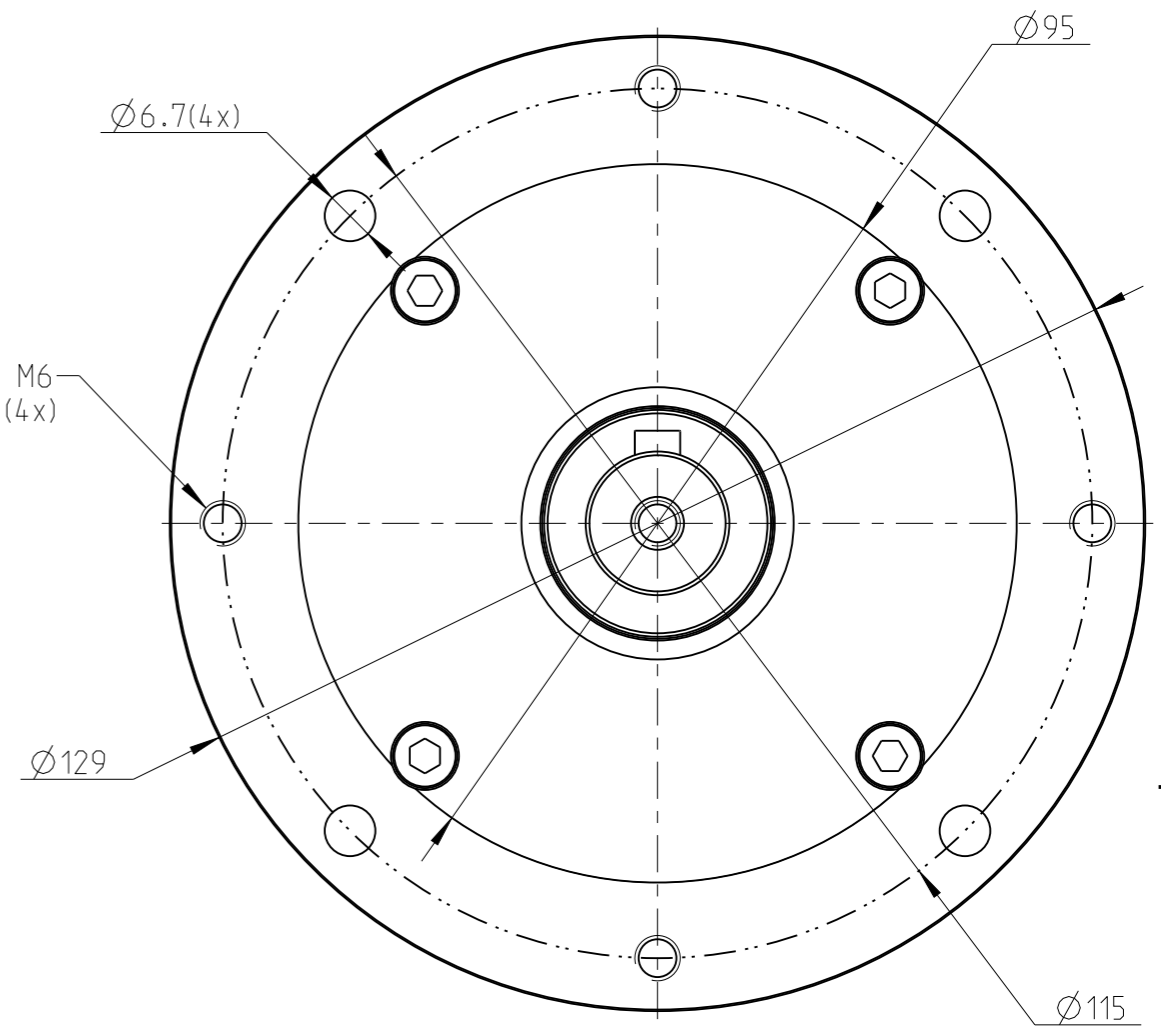
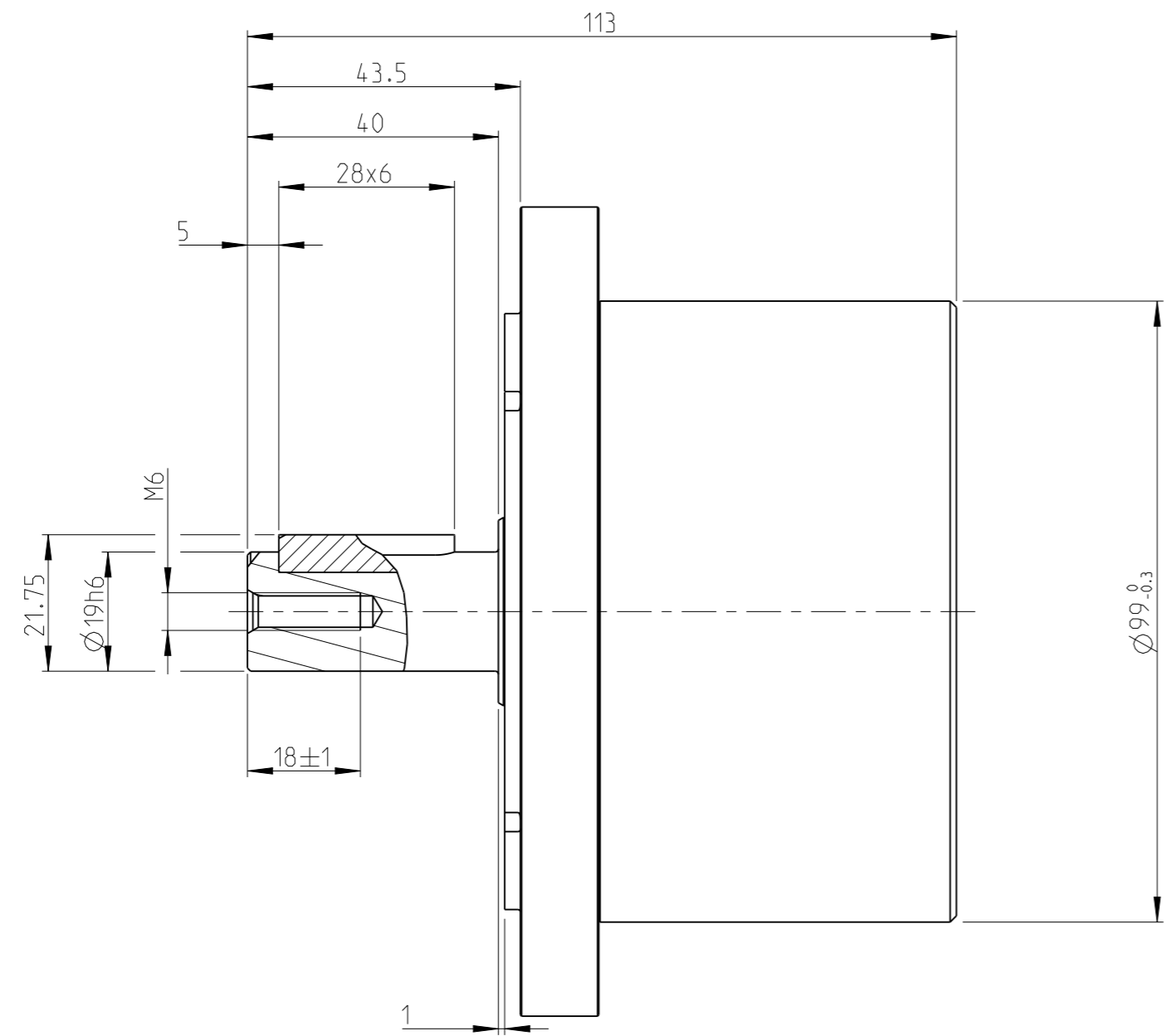
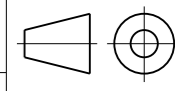



Model name	8411415067	Rev.Ver	1.3
Drawing name	8411415067	Rev.Ver	1.2

This document and its content is the intellectual property of Atlas Copco Industrial Technique AB. Any use, including but not limited to reproduction, distribution, modification and copying without prior written authorization is strictly prohibited.



1	-	Fix BoM List	2020-08-11	PHO
Note	Pos.	Modified from	Date	Intr.

Tolerances, if not indicated, according to:		Machined surfaces	-	-	-	-	-		
AC-STD		1350 K-mK	-	-	-	-	-		
Name		PZB15-L-AR500-22		PZB15		Secrecy class			
Material		-		1102 K/-					
Scale		1:1	Format	A3	Family	-	Compare	8411 4150 00	
		Drawn	TOOPHO		Blank	-	Replaces	-	
Transferred from		Cons.class	1295 K/-	Rev	1	Status	Released		
-		Mass/Volume	-		Date	2020-05-18		Designation	8411 4150 67
								Drawing owner	T00
								Sheet 2 (2)	