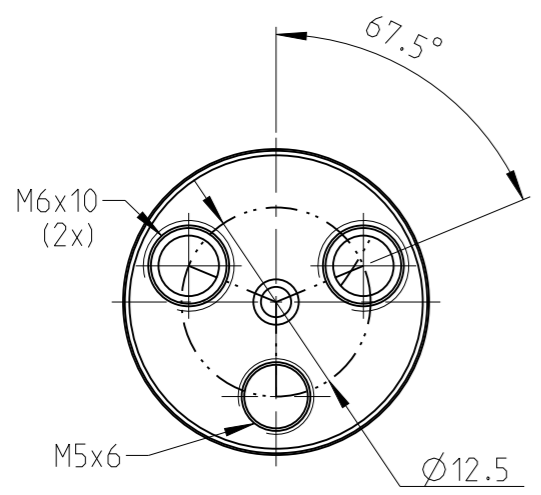
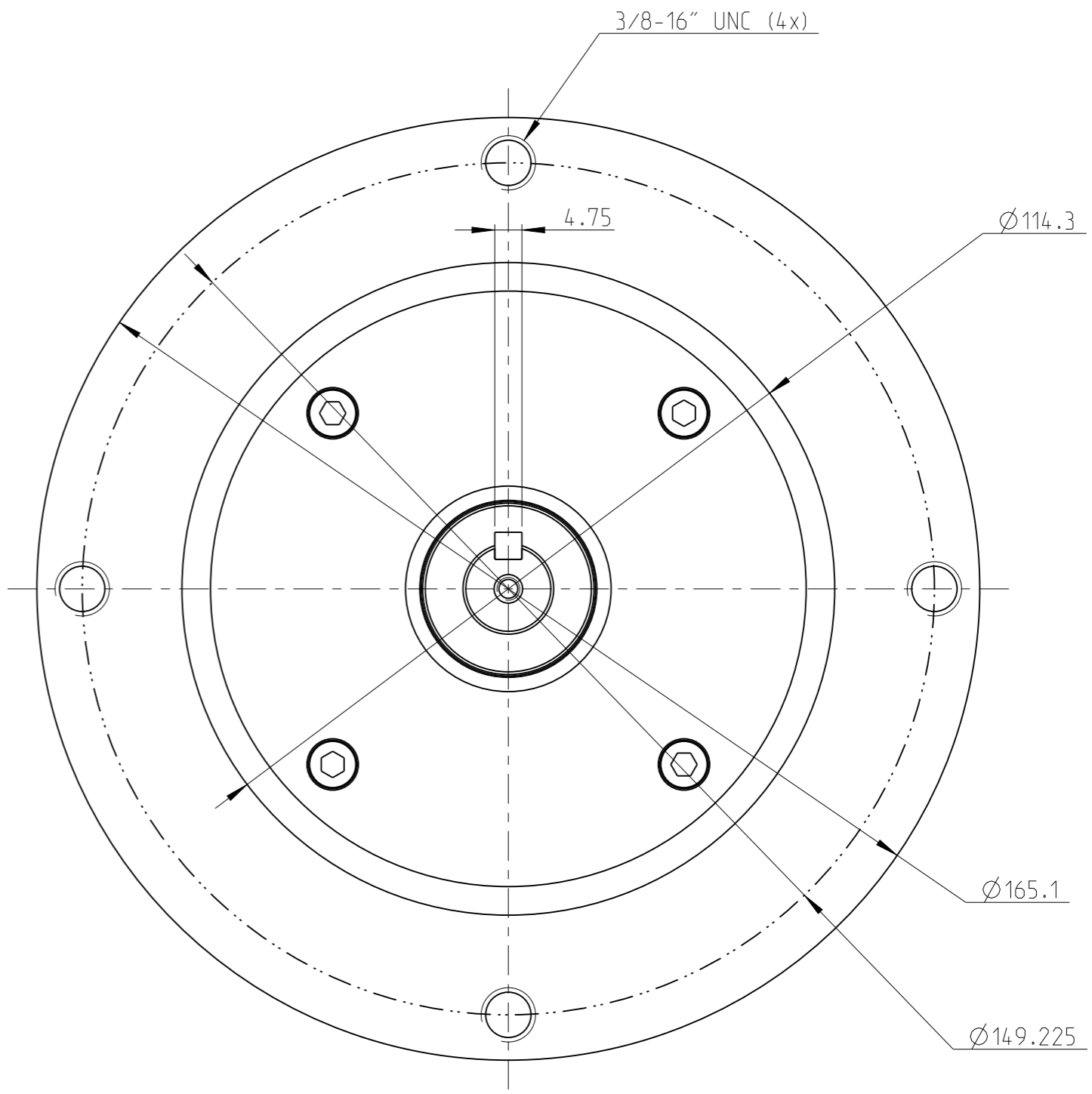
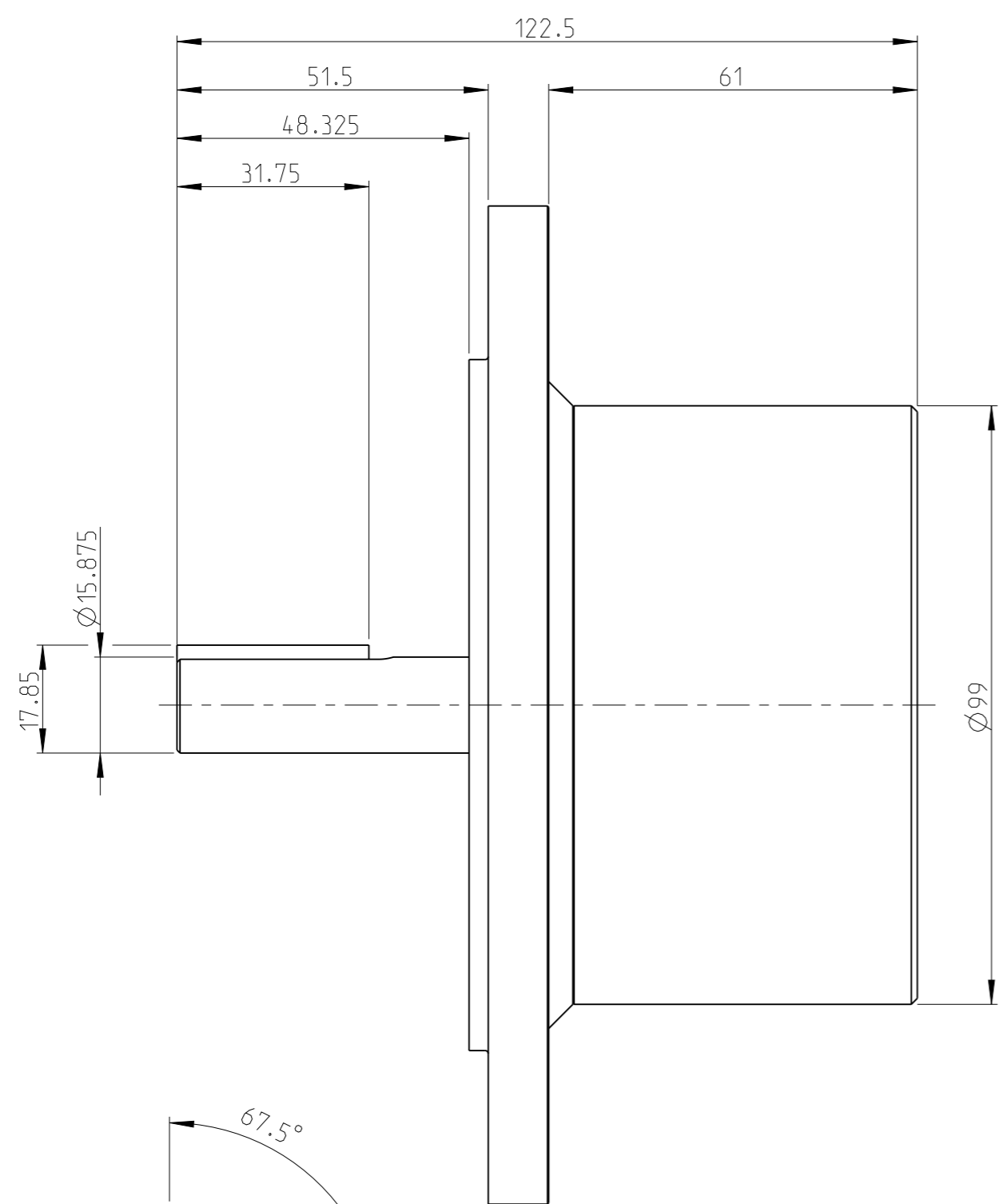


Model name	8411415026	Rev.Ver	0.4
Drawing name	8411415026	Rev.Ver	0.6

This document and its content is the intellectual property of Atlas Copco Industrial Technique AB. Any use, including but not limited to reproduction, distribution, publication, modification and copying without prior written authorization is strictly prohibited.

1 2 3 4 5 6 7 8 9 10



Note	Pos.	Modified from	Date	Intr.
0	-	-	-	-

Tolerances, if not indicated, according to:		Machined surfaces	-	-	-	-	-
AC-STD		1350 K-mK	-	-	-	-	-
Name		PZB15-L-AR500-21		PZB15		Secrecy class	
Material		-		1102 K/-			
Scale		1:1	Format	A3	Family	-	Compare
		Drawn	TOOPHO		Blank	-	8411 4150 00
Transferred from		Cons.class	1295 K/-	Rev	0	Status	Released
-		Mass/Volume	-	Date	2020-01-21	Designation	8411 4150 26
						Drawing owner	T00
						Sheet 2 (2)	