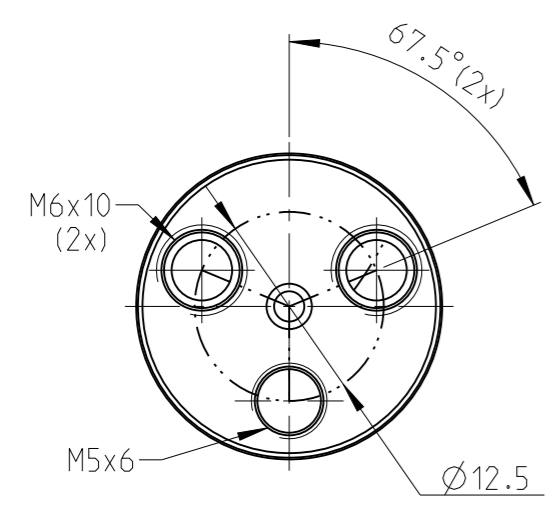
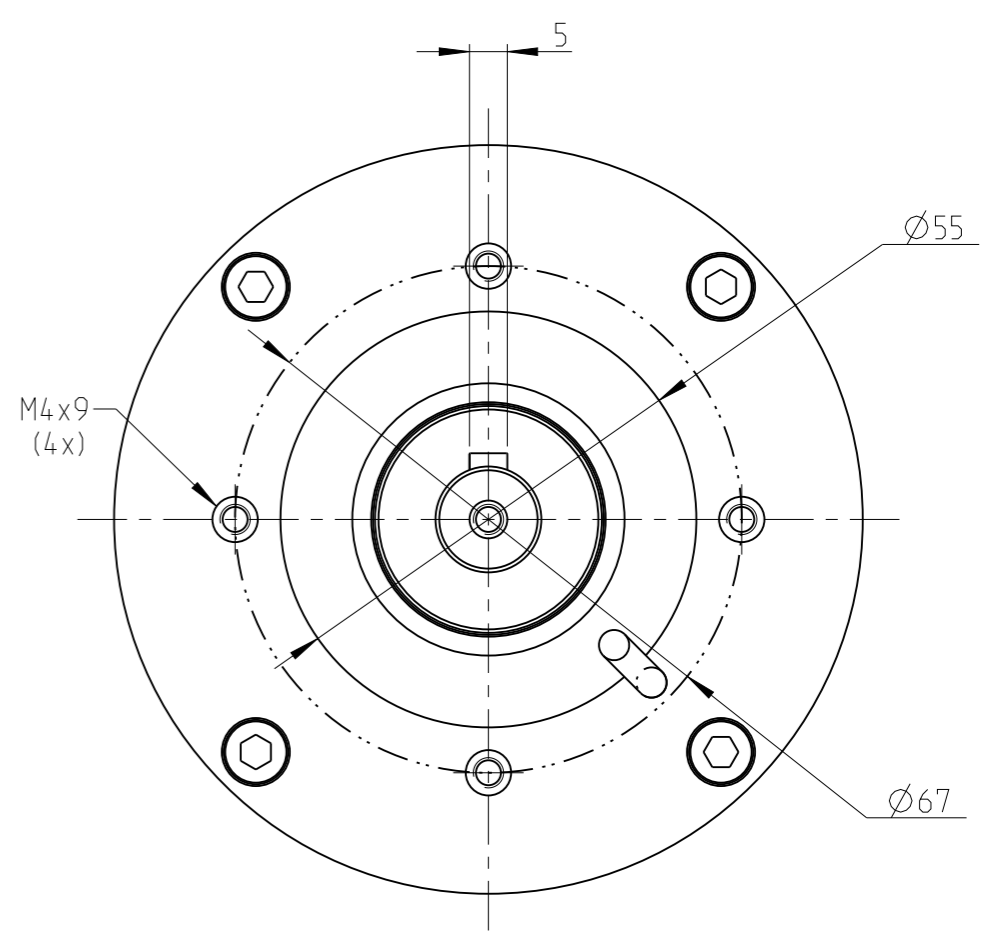
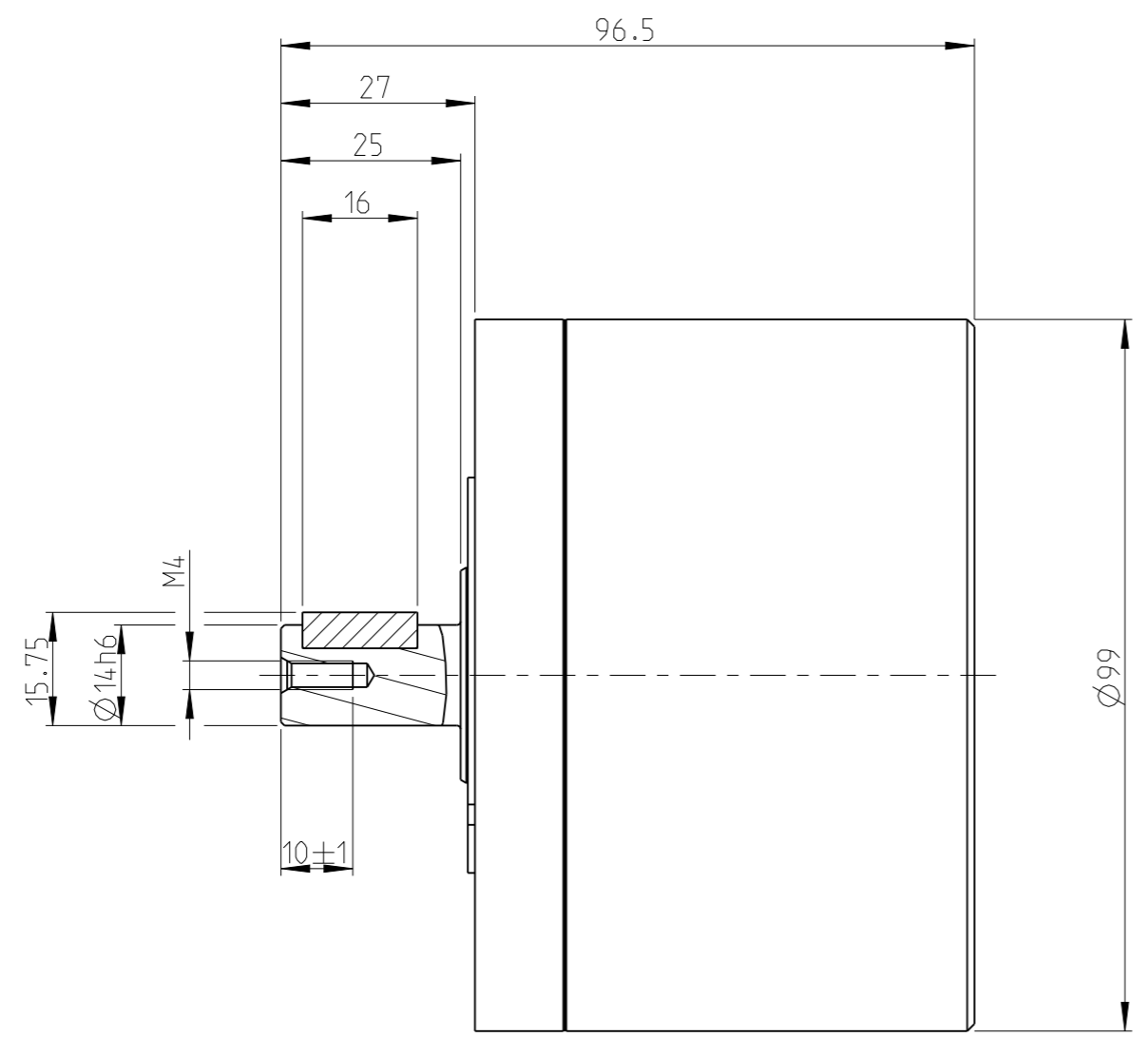


Model name 8411415000 Rev.Ver 0.7
 Drawing name 8411415000 Rev.Ver 0.8

This document and its content is the intellectual property of Atlas Copco Industrial Technique AB. Any use, including but not limited to reproduction, distribution, publication, modification and copying without prior written authorization is strictly prohibited.



Note	Pos.	Modified from	Date	Intr.
0	-	-	-	-

Tolerances, if not indicated, according to:		Machined surfaces	-	-	-	-		
AC-STD		1350 K-mK	-	-	-	-		
Name		PZB15-L-AR500-11		PZB15	Secrecy class			
Material		-		1102 K/-				
-		-		CAD Pro/E				
Scale		1:1	Format	A3	Family	-		
		Drawn	T00PH0		Blank	-		
Transferred from		Cons.class	1295 K/-	Rev	0	Status	Released	
-		Mass/Volume	-		Date	2019-05-14	Designation	8411 4150 00
						Compare 8411 4090 00 Replaces 8411 5037 10 Drawing owner T00		
						Sheet 2 (2)		