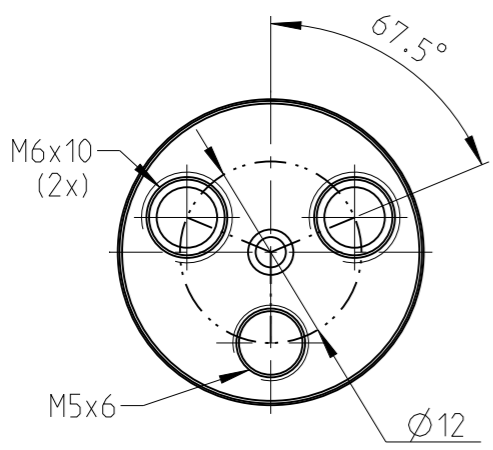
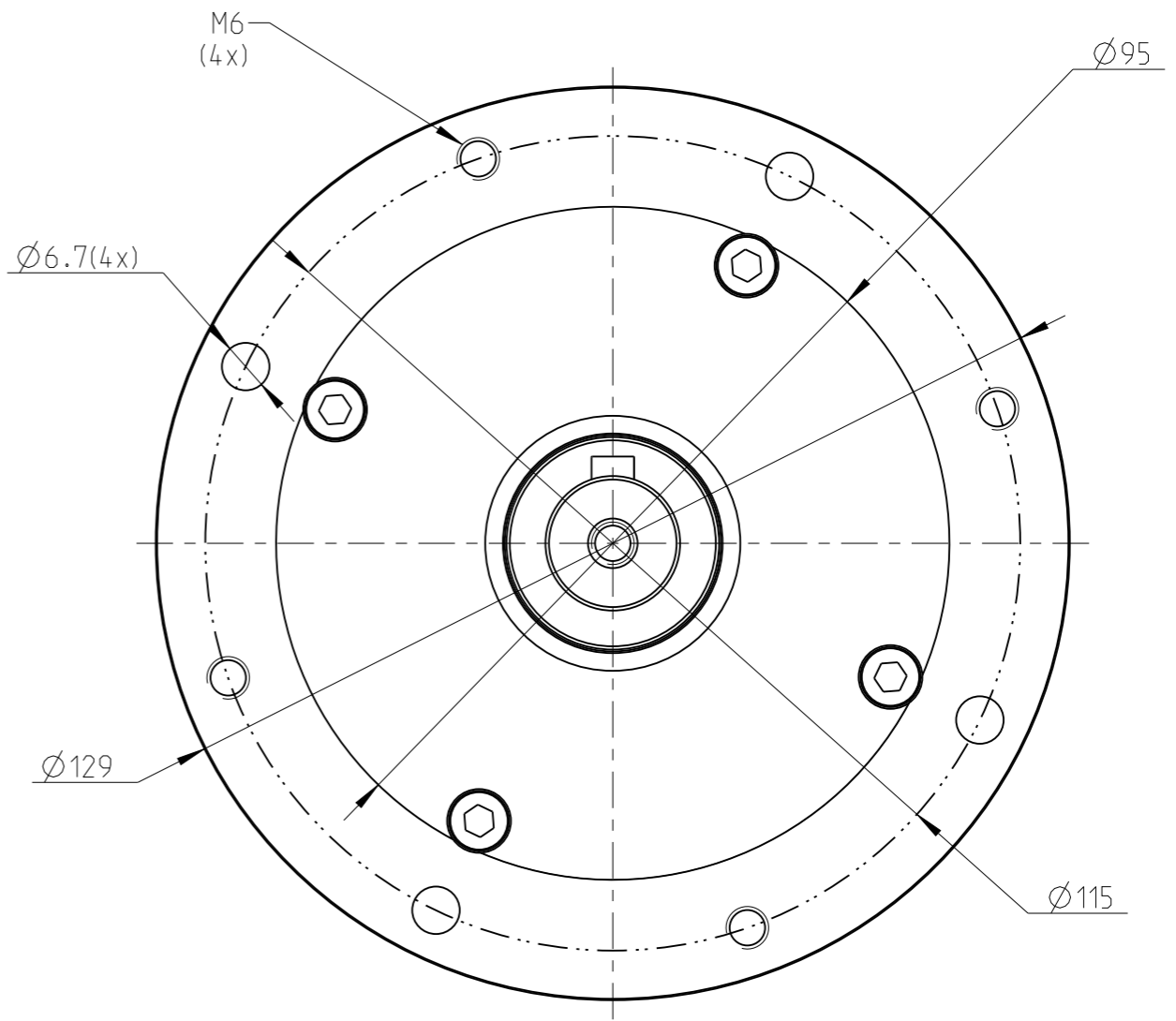
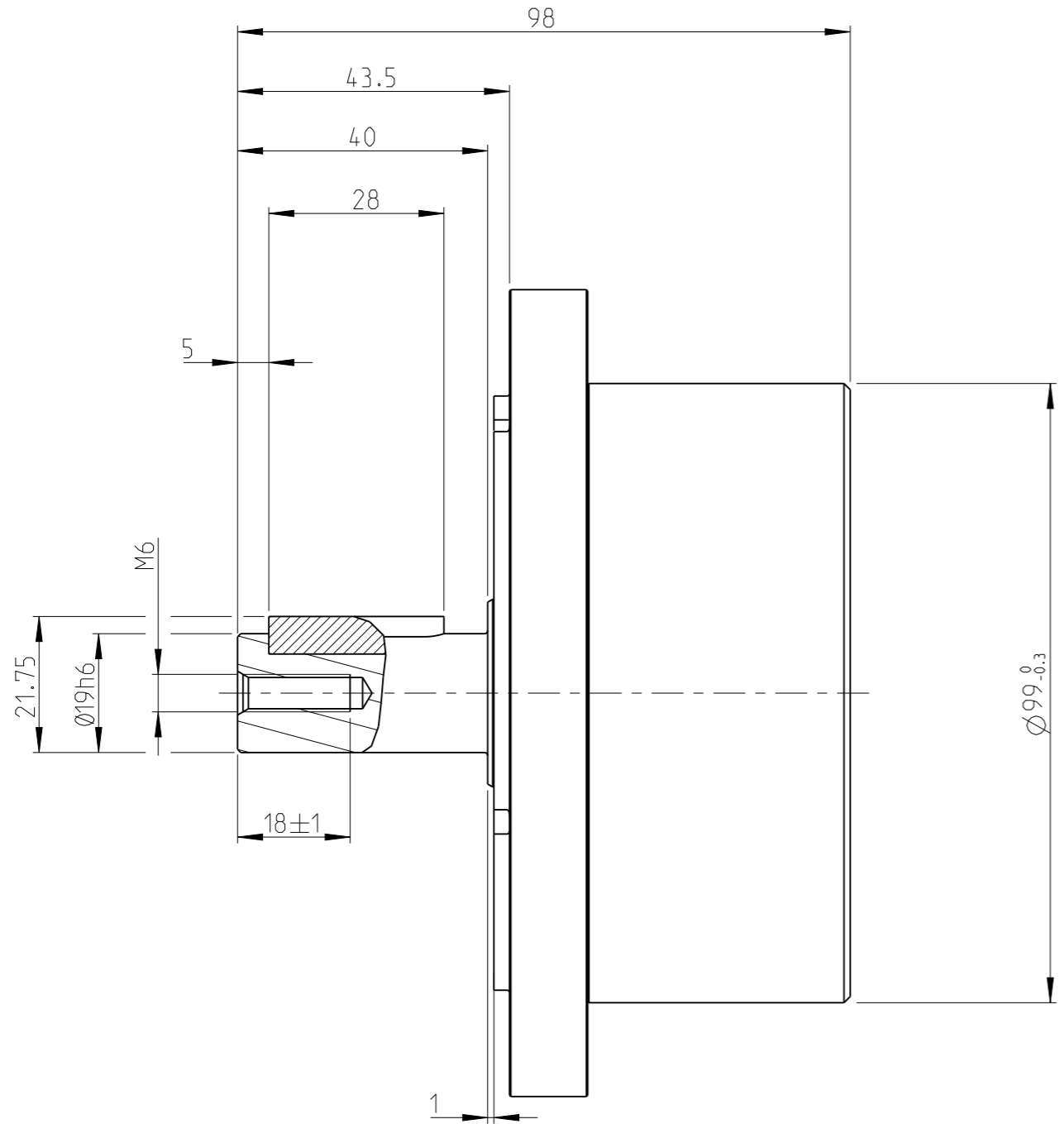


Model name 8411409067 Rev.Ver 1.1
 Drawing name 8411409067 Rev.Ver 1.1

This document and its content is the intellectual property of Atlas Copco Industrial Technique AB. Any use, including but not limited to reproduction, distribution, modification and copying without prior written authorization is strictly prohibited.



1	-	Fix BoM List	2020-08-11	PHO
Note	Pos.	Modified from	Date	Intr.

Tolerances, if not indicated, according to:		Machined surfaces	-	-	-	-
AC-STD		1350 K-mK	-	-	-	-
Name PZB09-L-AR500-22					PZB09	Secrecy class
Material -					1102 K/-	
					CAD Pro/E	
Scale 1:1		Format A3	Family -	Compare 8411 4090 18	Drawing owner	
		Drawn TOOPHO	Blank -	Replaces -	T00	
Transferred from -		Cons.class 1295 K/-	Rev 1	Status Released	Designation 8411 4090 67	
		Mass/Volume -	Date 2020-05-19	Sheet 2 (2)		