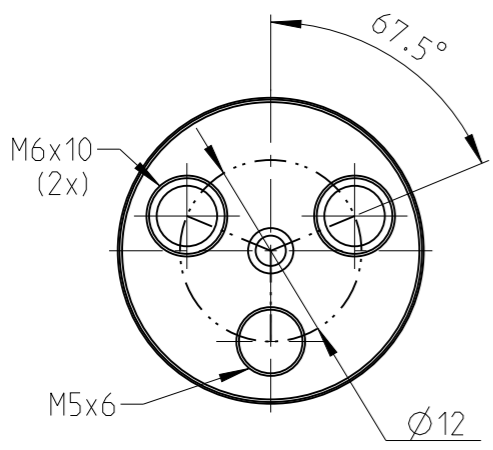
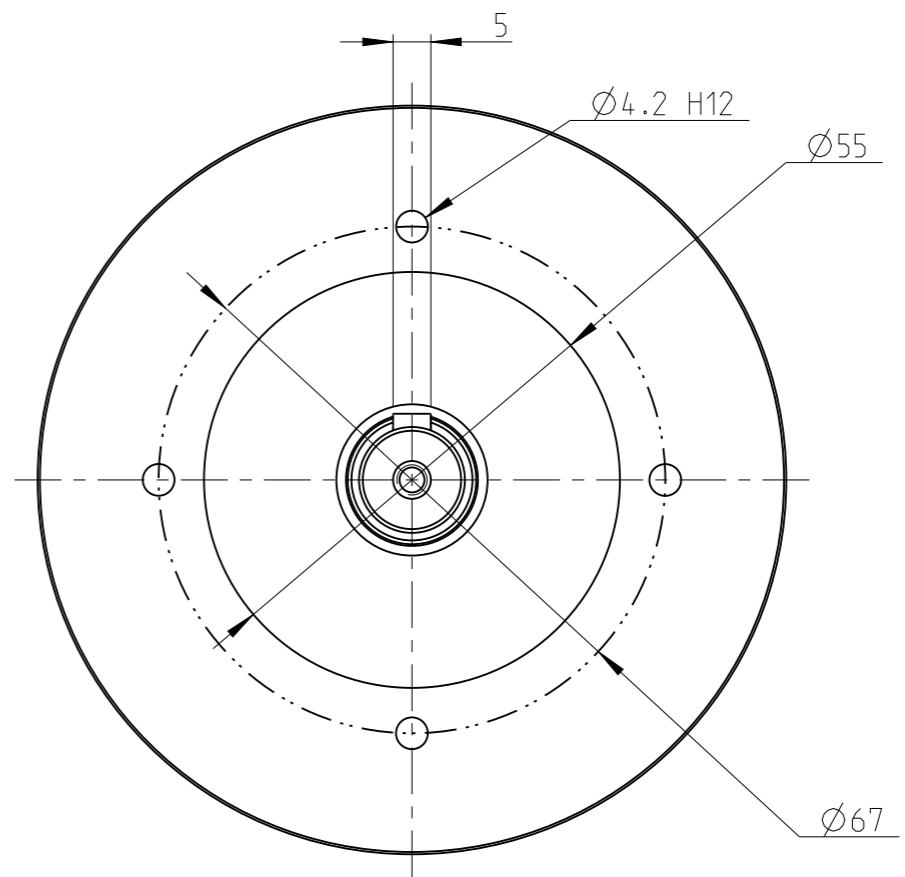
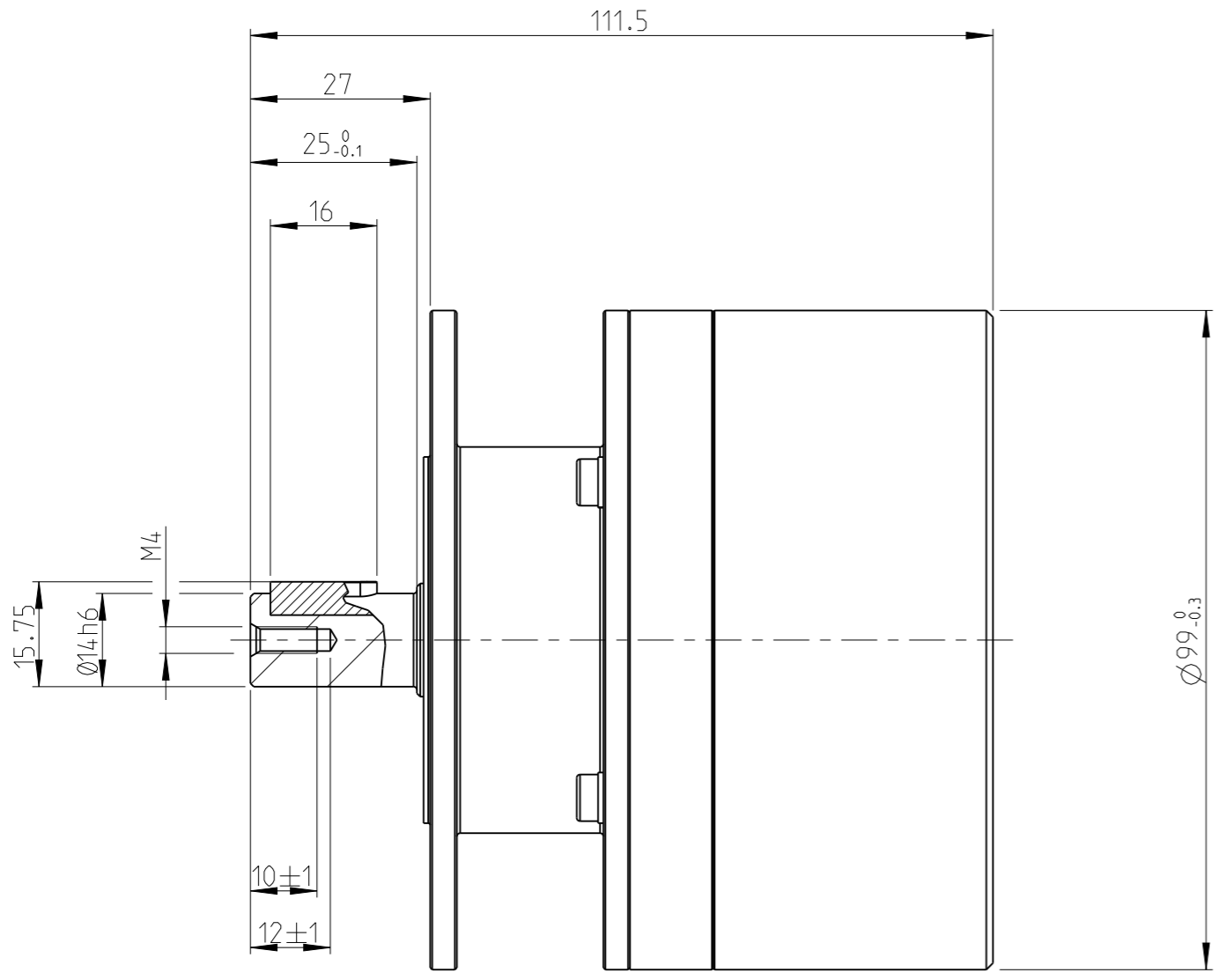


Model name 8411409034 Rev.Ver 0.1  
 Drawing name 8411409034 Rev.Ver 0.2



This document is our property and shall not without our permission be altered, copied, used for manufacturing or communicated to any other person or company.

Note	Pos.	Modified from	Date	Intr.
0	-	-	-	-

Tolerances, if not indicated, according to:		Machined surfaces	-	-	-	-	
AC-STD		1350 K-mK	-	-	-	-	
Name		PZB09-LE-AR500-11		PZB09	Secrecy class		
Material		Bearing flange		1102 K/-			
				CAD Pro/E			
Scale		1:1	Format	A3	Family	-	
		Drawn	T00PH0		Blank	-	
Transferred from		Cons.class	1295 K/-	Rev	0	Status	Released
		Mass/Volume	-	Date	2018-11-23	Designation	8411 4090 34
						Drawing owner	T00
						Sheet 2 (2)	