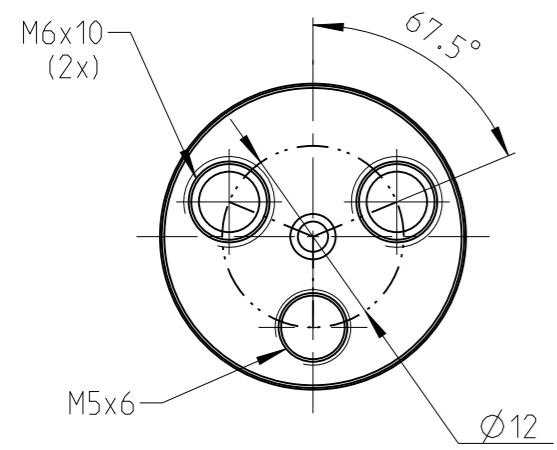
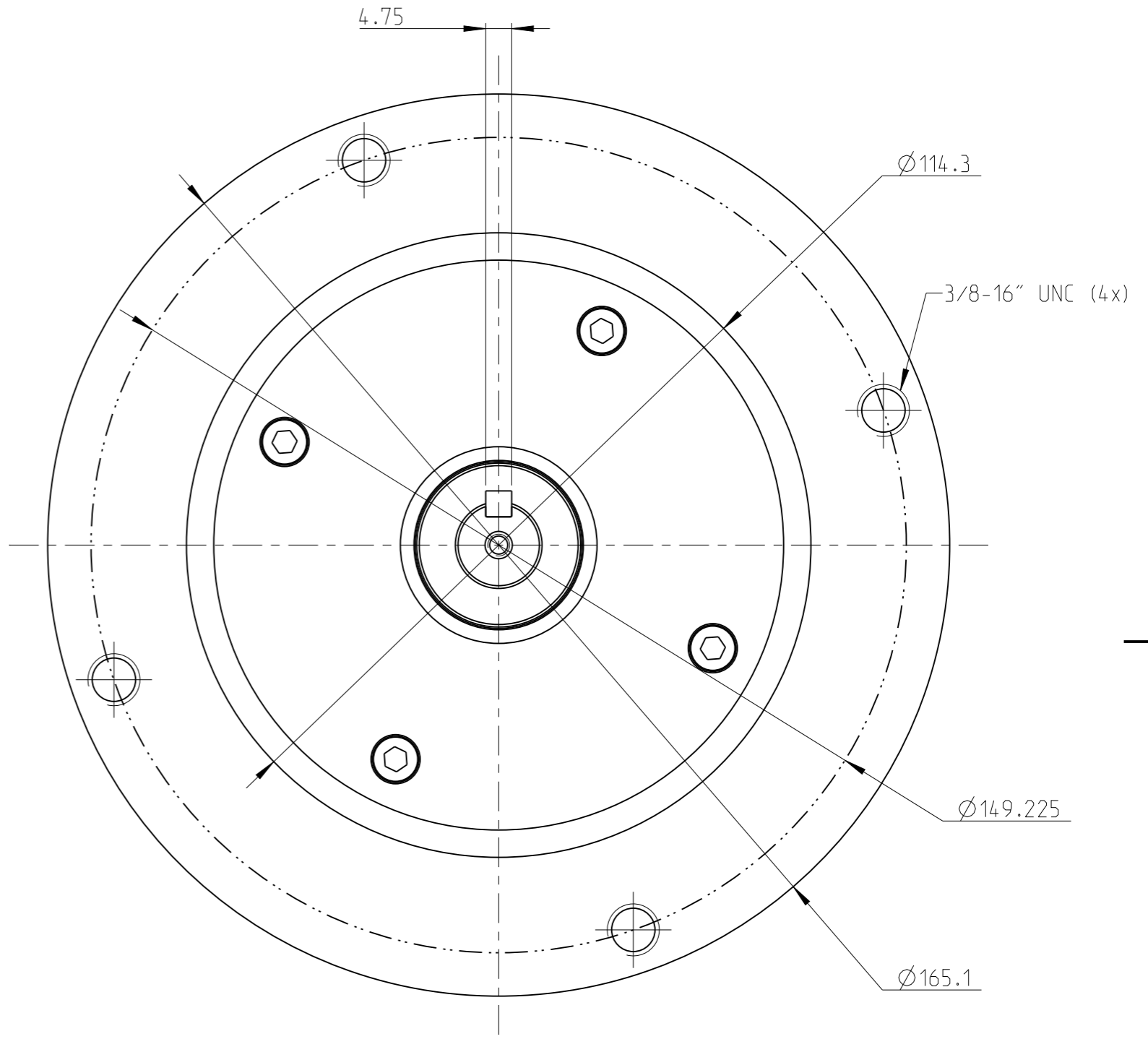
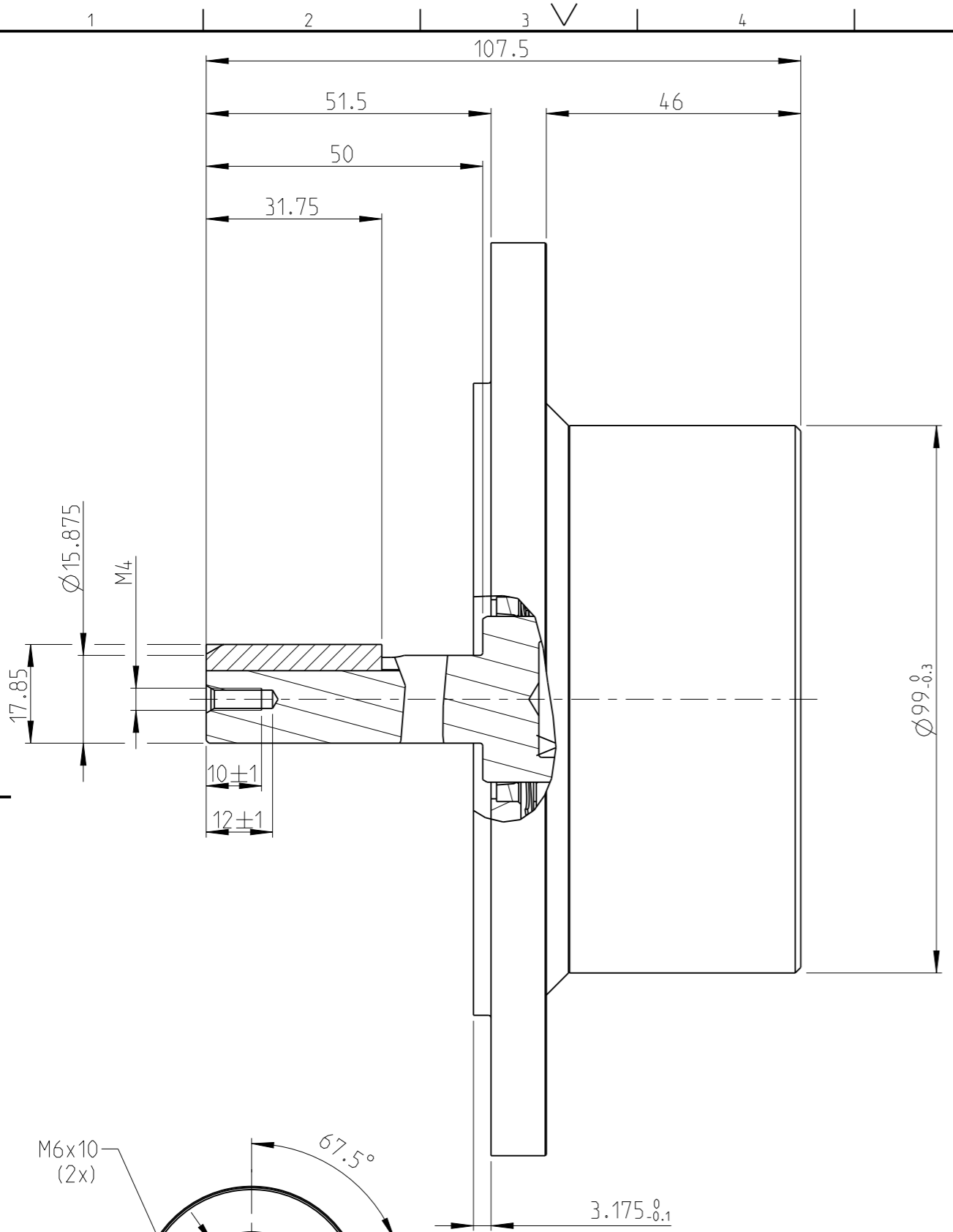


Model name 8411409026 Rev.Ver 0.22  
 Drawing name 8411409026 Rev.Ver 0.14



This document is our property and shall not without our permission be altered, copied, used for manufacturing or communicated to any other person or company.

| Note | Pos. | Modified from | Date | Intr. |
|------|------|---------------|------|-------|
| 0    | -    | -             | -    | -     |

|   |  |                     |            |                 |                      |     |
|---|--|---------------------|------------|-----------------|----------------------|-----|
| Tolerances, if not indicated, according to: |  | -                   | -          | -               | -                    | -   |
| AC-STD                                      |  | -                   | -          | -               | -                    | -   |
| Name PZB09-AR005-21                         |  |                     | PZB09      |                 | Secrecy class        |     |
| Material -                                  |  |                     | 1102 K/-   |                 |                      |     |
| -   |  |                     | CAD Pro/E  |                 | Drawing owner        |     |
|   |  | Scale 1:1           | Format A3  | Family -        | Compare 8411 4090 00 | T00 |
| Drawn TOOPHO                                |  | Blank -             | Replaces - |                 | Designation          |     |
| Transferred from -                          |  | Cons.class 1295 K/- | Rev 0      | Status Released | 8411 4090 26         |     |
| Mass/Volume -                               |  | Date 2017-10-02     |            | Sheet 2 (2)     |                      |     |