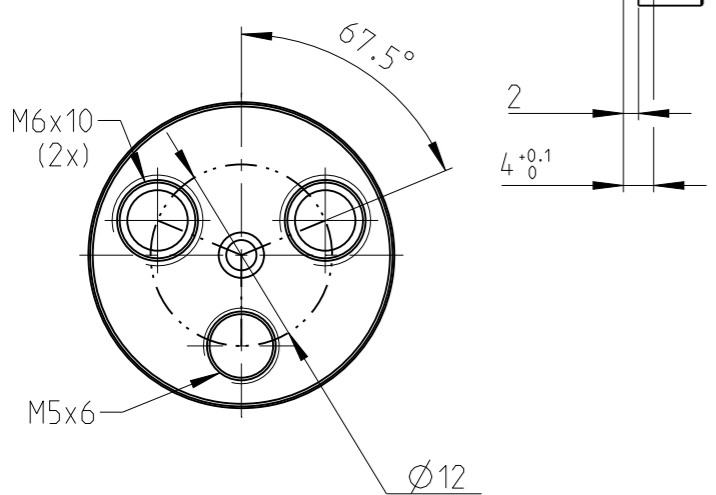
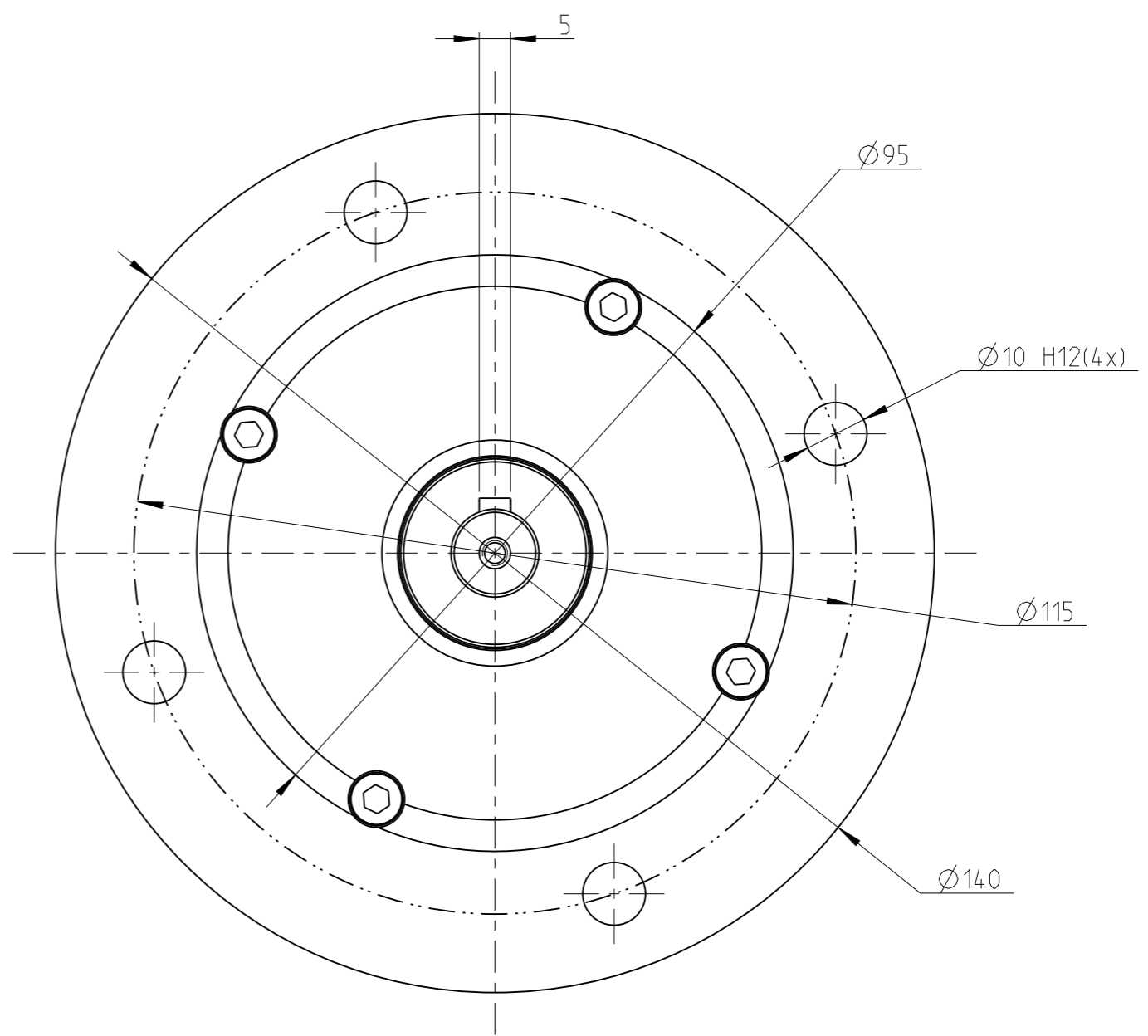
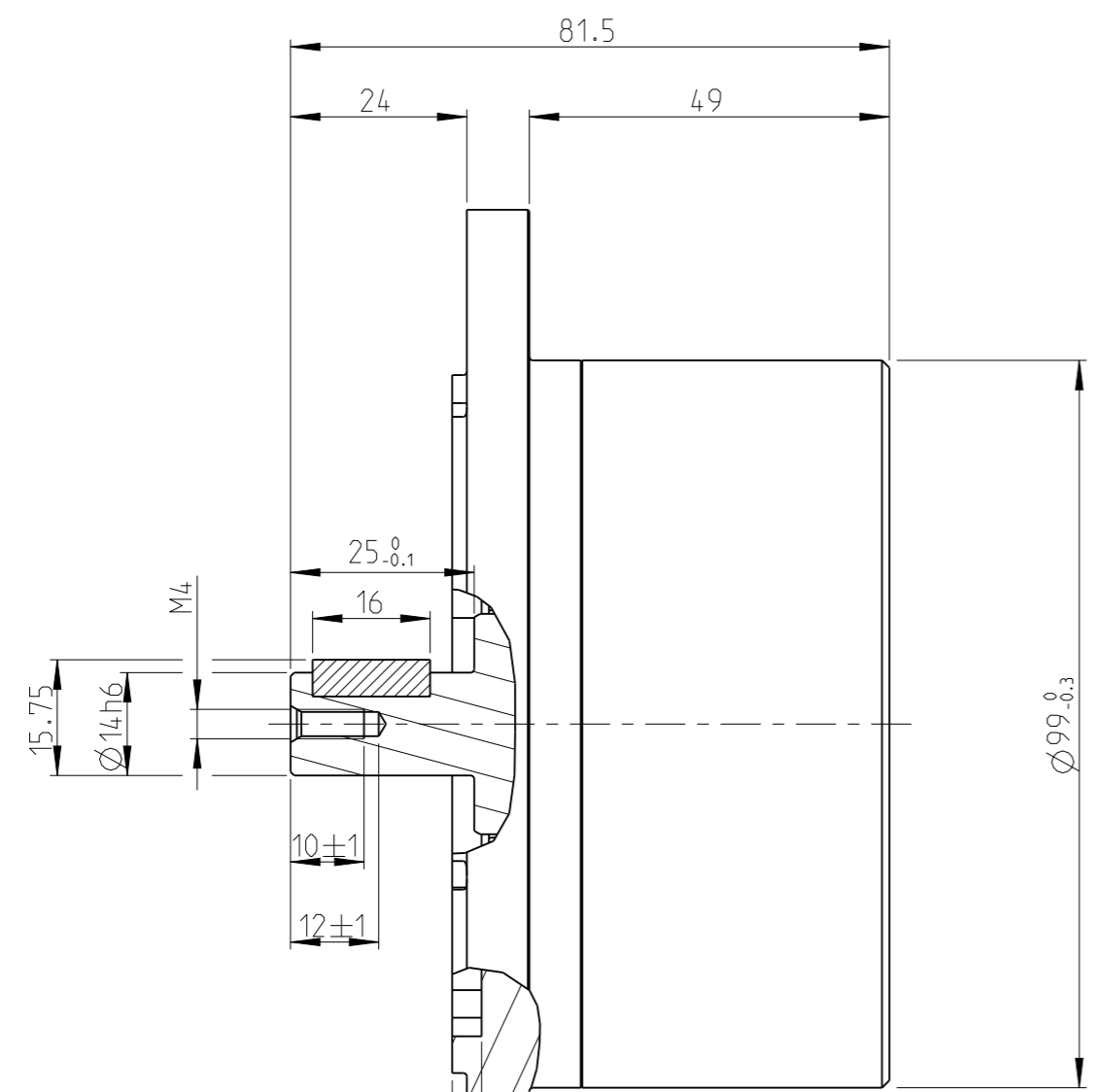


Model name 8411409018 Rev.Ver 0.17
 Drawing name 8411409018 Rev.Ver 0.13

This document is our property and shall not without our permission be altered, copied, used for manufacturing or communicated to any other person or company.



Note	Pos.	Modified from	Date	Intr.
0	-	-	-	-

Tolerances, if not indicated, according to:		-	-	-	-	-
AC-STD		-	-	-	-	-
Name PZB09-L-AR500-20				PZB	Secrecy class	
Material -				1102 K/-		
-				CAD Pro/E	Drawing owner	
		Scale 1:4	Format A3	Family -	Compare 8411 4090 26	Drawing owner T00
Drawn T00PH0		Blank -		Replaces -		
Transferred from -		Cons.class 1295 K/-	Rev 0	Status Released	Designation 8411 4090 18	
		Mass/Volume -	Date 2017-10-02	Sheet 2 (2)		