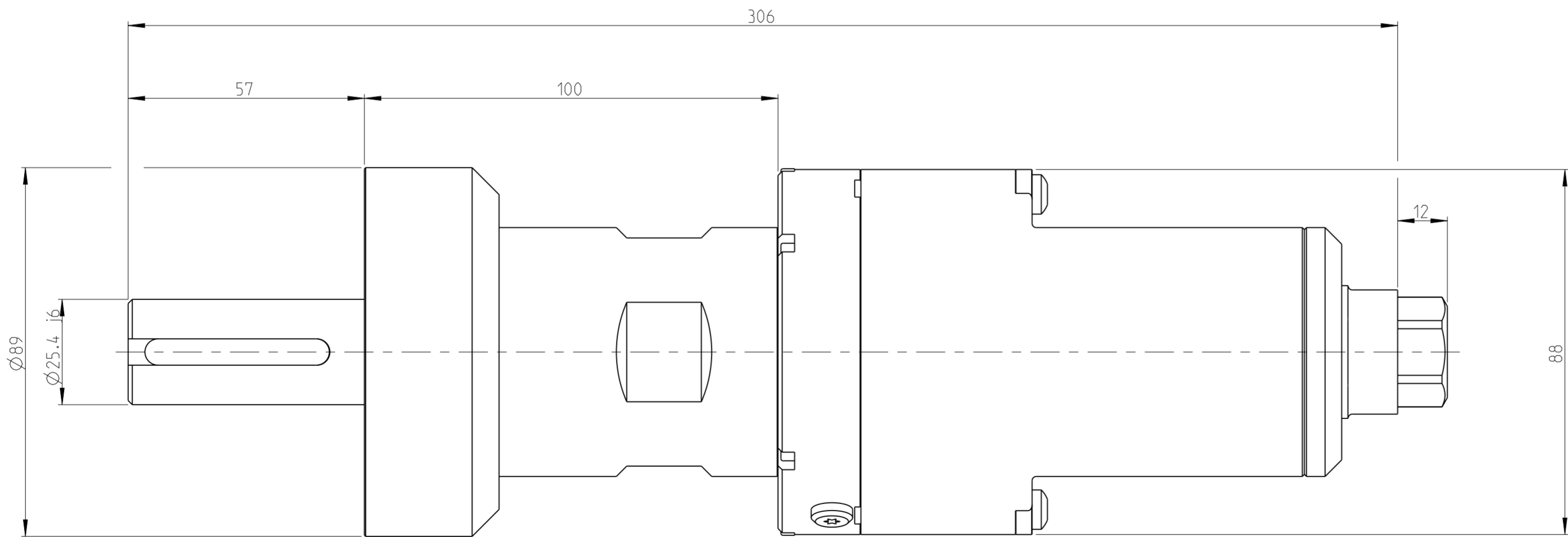
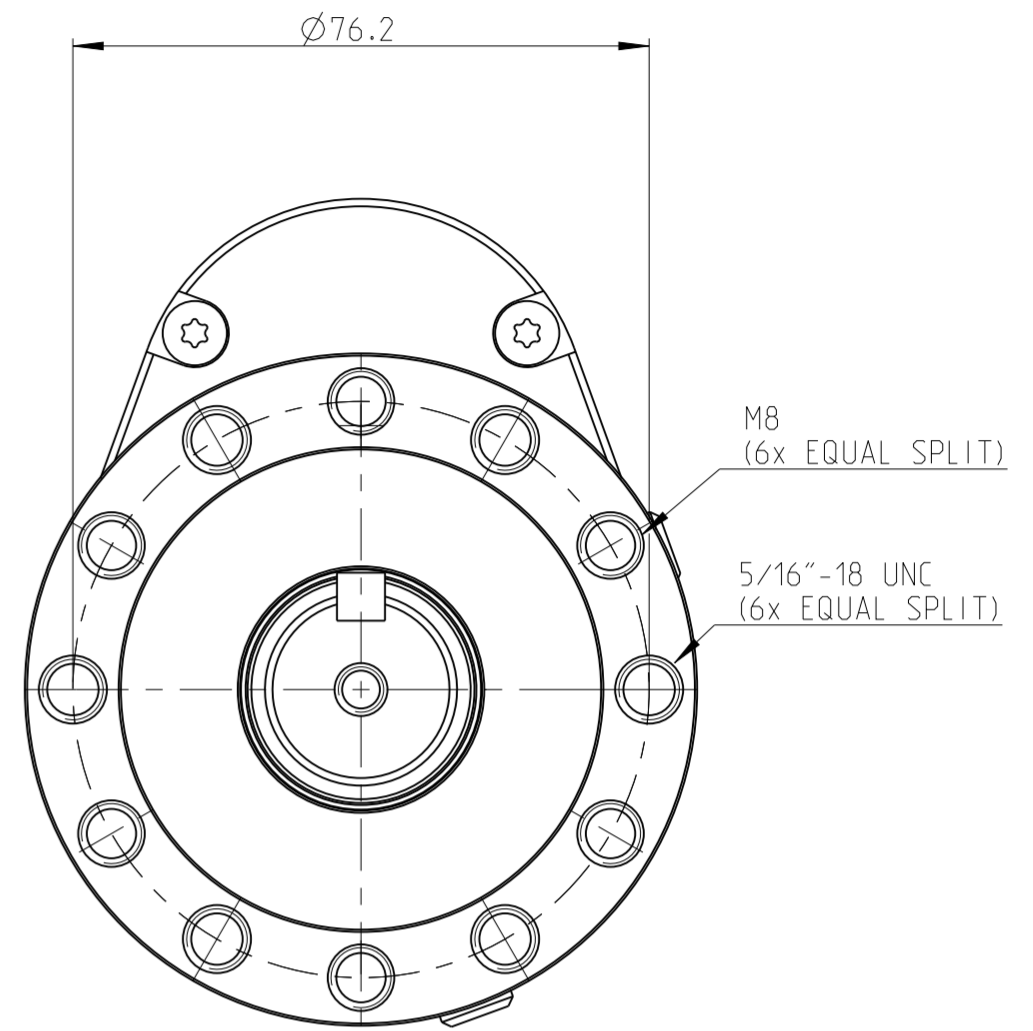
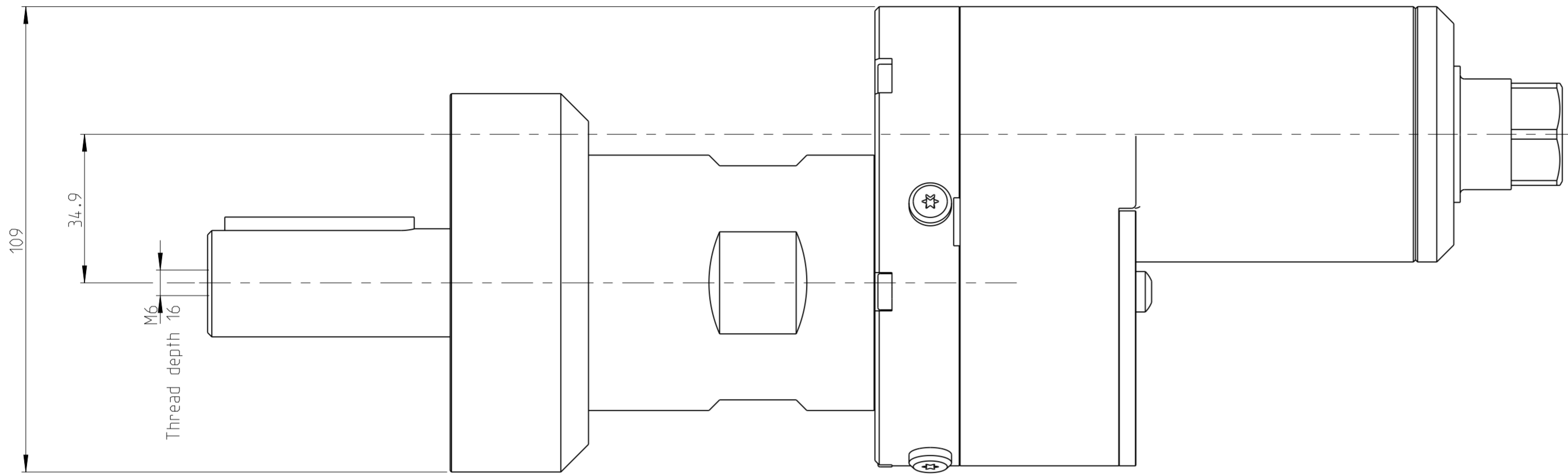


Model name	TZB25_L_2_15	Rev. No.	0.1
Drawing name	TZB25_L_2_15	Rev. No.	0.1



Motor name	Ordering no.
TZB25-L-A0032-15	8411 3100 33
TZB25-L-A0050-15	8411 3100 41
TZB25-L-AV0032-15	8411 3100 74
TZB25-L-AV0050-15	8411 3100 82

This document is our property and shall not without our permission be altered, copied, used for manufacturing or communicated to any other person or company.

Note	Pos.	Modified from	Date	Intr.
0	-	-	-	-

Tolerances, if not indicated, according to:		-	-	-	-	-	
AC-STD		-	-	-	-	-	
Name	TZB25-L-XX-XXXXXX-15		TZB25	Secretcy class			
Material	-		1102 K/-				
			CAD		Creo		
	Scale	1:1	Format	A2	Family	-	
	Drawn	P. Horvath		Blank	-	Replaces	-
Transferred from	Cons.class	1295 K/-	Rev	0	Status	In Work	
	Mass/Volume	-	Date	2019-01-28		Designation	TZB25_L_2_15
						Sheet 1 (1)	T00