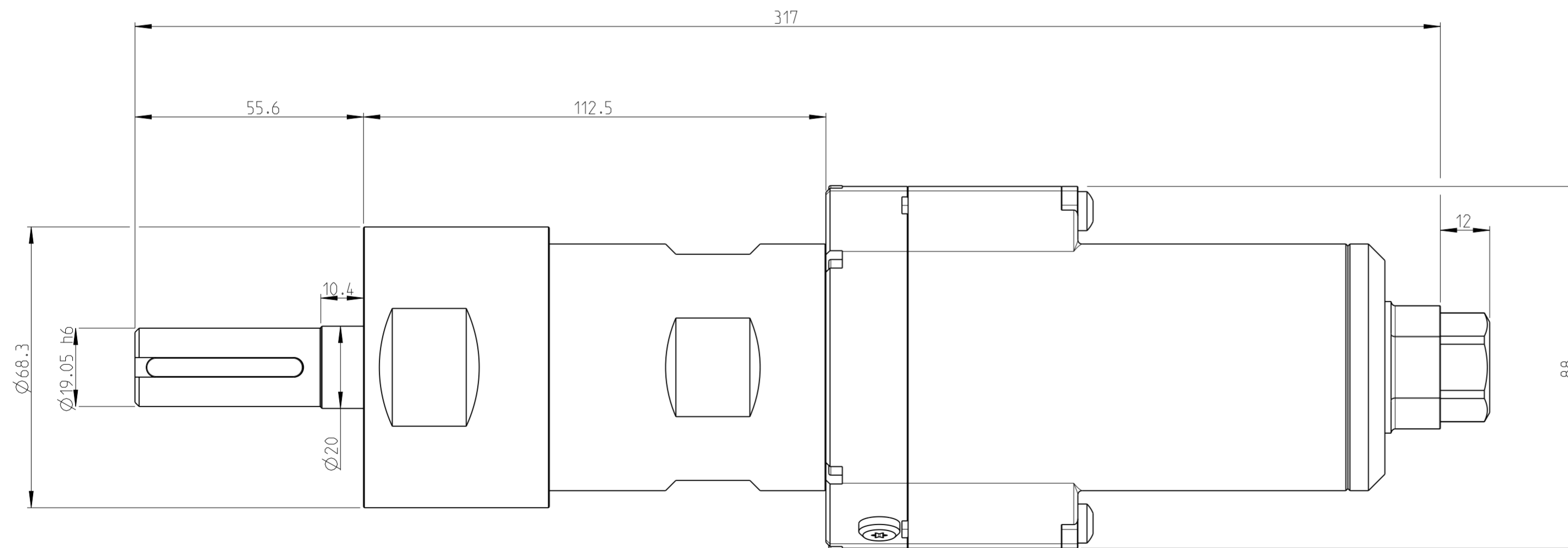
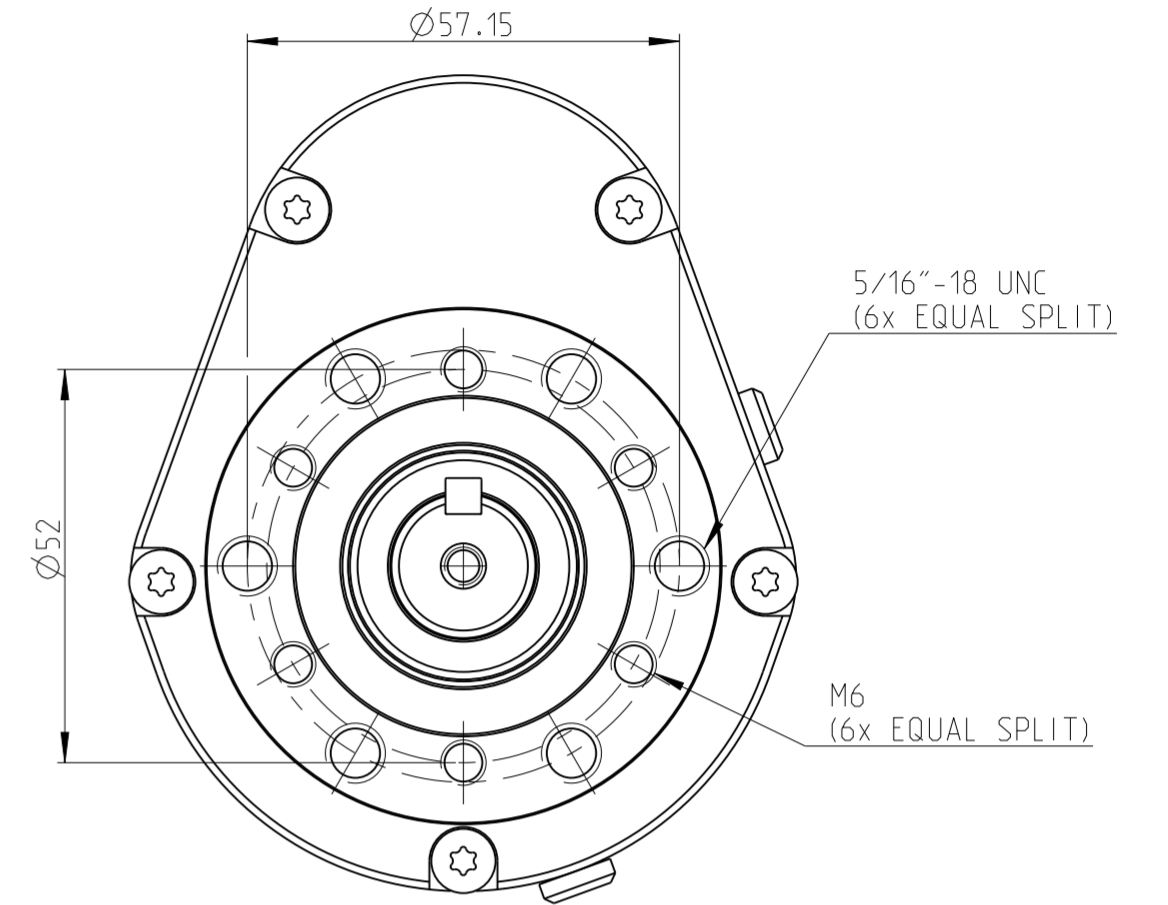
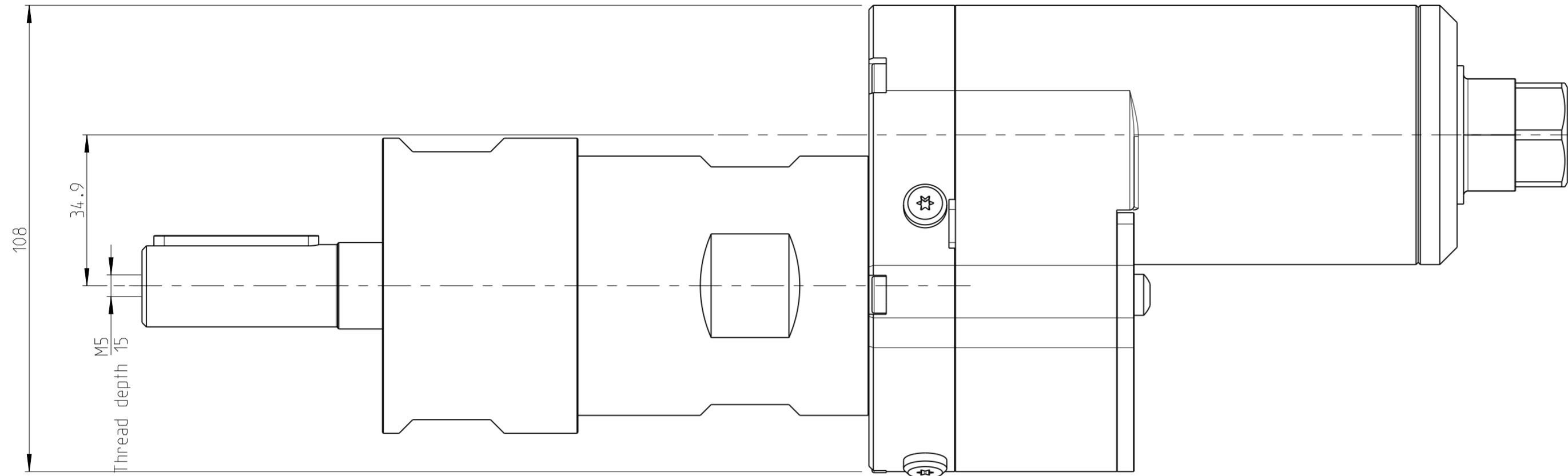


Model name TZB25_L_2_14 Rev: 0.2
 Drawing name TZB25_L_2_14 Rev: 0.2



Motor name	Ordering no.
TZB25-L-A0032-14	8411 3100 32
TZB25-L-A0050-14	8411 3100 40
TZB25-L-AV0032-14	8411 3100 73
TZB25-L-AV0050-14	8411 3100 81

This document is our property and shall not without our permission be altered, copied, used for manufacturing or communicated to any other person or company.

Note	Pos.	Modified from	Date	Intr.
0	-	-	-	-

Tolerances, if not indicated, according to:		AC-STD							
Name		TZB25-L-XX-XXXXXX-14		TZB25		Material		1102 K/- CAD Pro/E	
Material		-		-		-		-	
Scale		1:1		Format A2		Family		-	
Drawn		P. Horvath		Blank		Replaces		-	
Cons.class		1295 K/-		Rev 0		Status		In Work	
Transferred from		-		Date		2019-01-28		Designation	
Mass/Volume		-		Date		2019-01-28		TZB25_L_2_14	

Atlas Copco
 Drawing owner: TOO
 Sheet 1 (1)