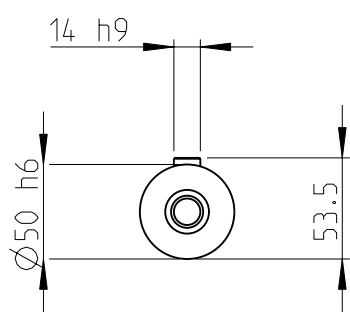
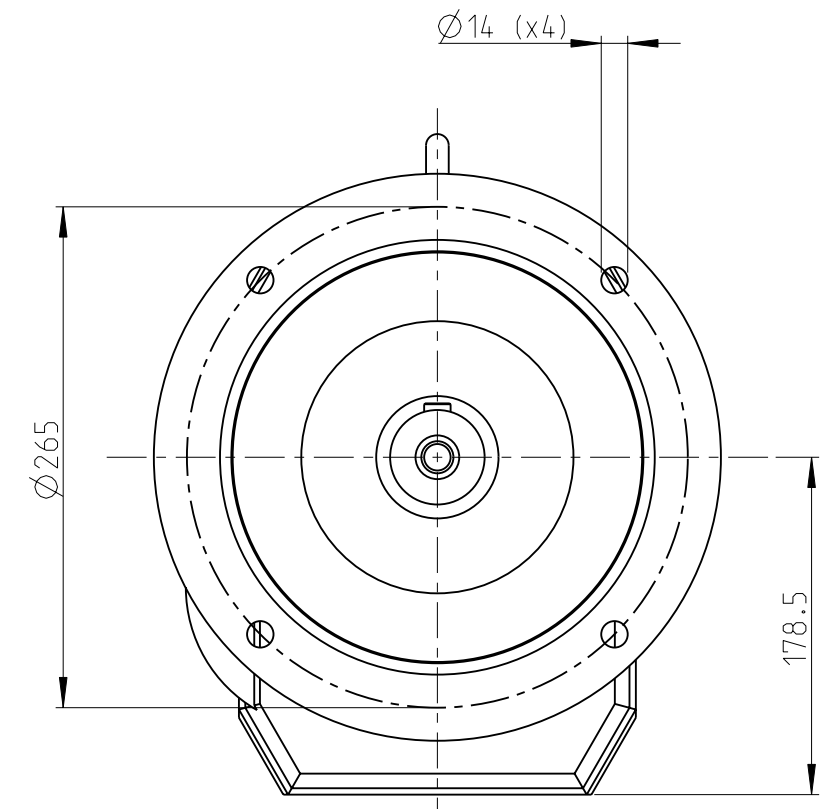
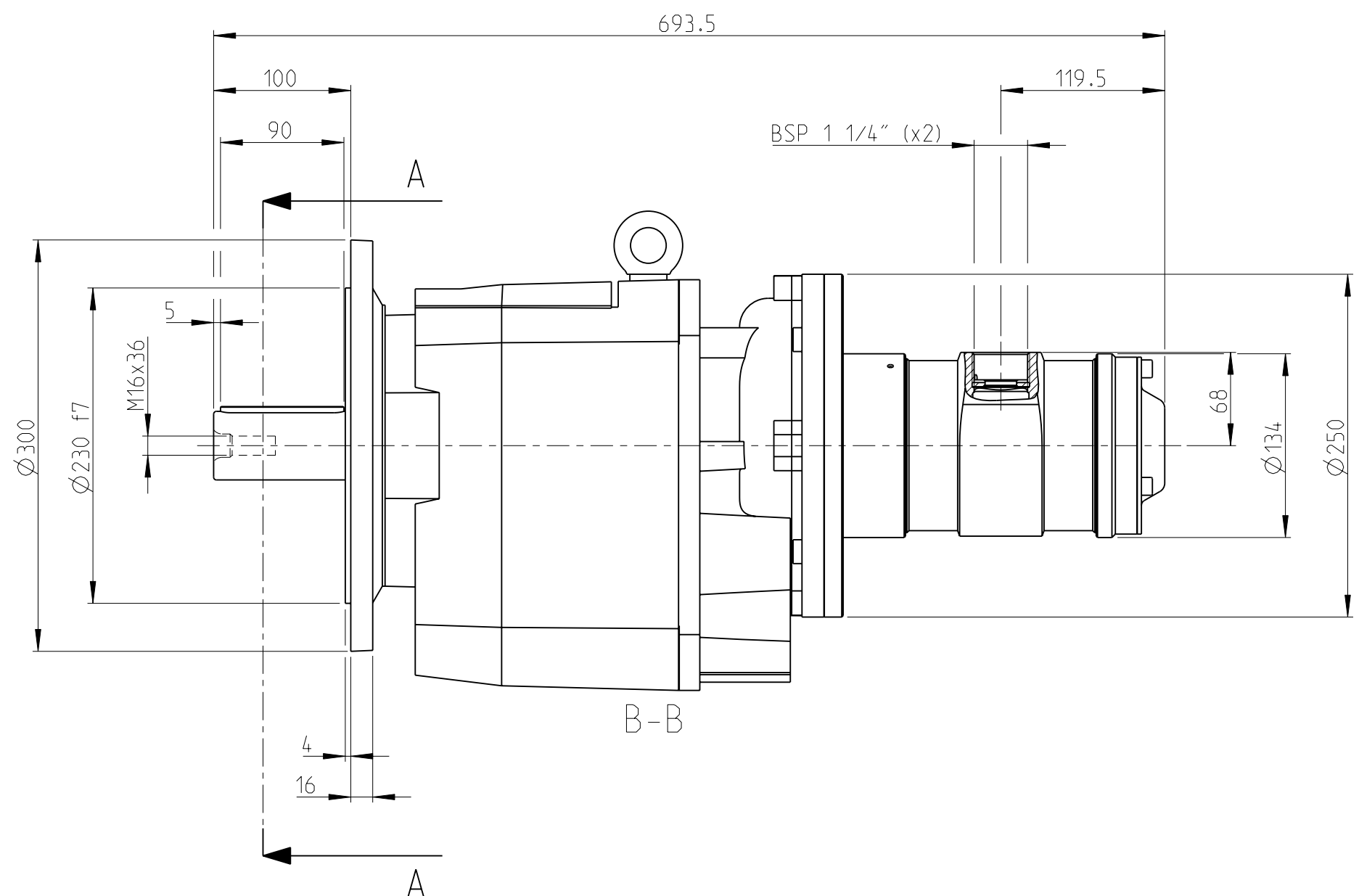


Model name LZL35-BF613-B Rev.Ver 0.0
 Drawing name LZL35-BF613-B Rev.Ver 0.0



MOTOR NAME	ORDERING NO.
LZL35-BF613-B-029	8411 1813 50
LZL35-BF613-B-048	8411 1813 78

Tolerances, if not indicated, according to:		-	-	-	-	-
AC-STD		-	-	-	-	-
Name LZL35-BF613-B					Secrecy class	
Material -					1102 K/-	
					CAD Pro/E	
Scale 1:4		Format A3	Family -	Compare -		Drawing owner T00
Drawn F GRINELL		Blank -		Replaces -		
Transferred from -		Cons.class 1295 K/-	Rev 0	Status Design	Designation LZL35-BF613-B	
		Mass/Volume -	Date 2013-05-31		Sheet 1 (1)	

Note	Pos.	Modified from	Date	Intr.
0	-	-	-	-

This document is our property and shall not without our permission be altered, copied, used for manufacturing or communicated to any other person or company.